

C.R. LAURENCE

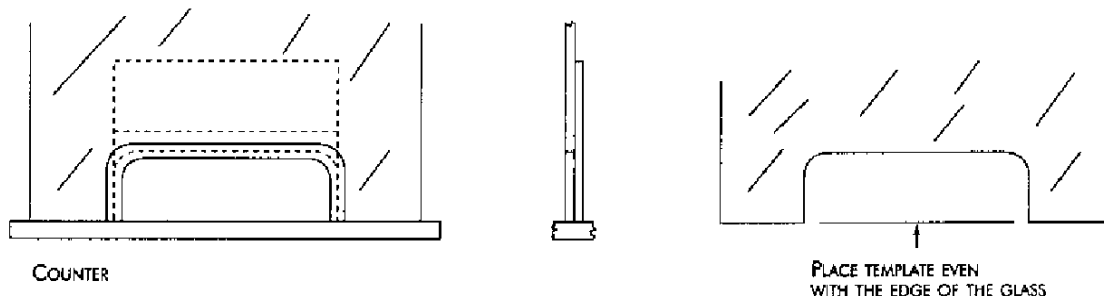
Installation Instructions

701 AND 702 SERIES VERTICAL SLIDING TICKET WINDOWS

CUTOUT: Read the three types of installations listed below before using the enclosed glass cutout template.

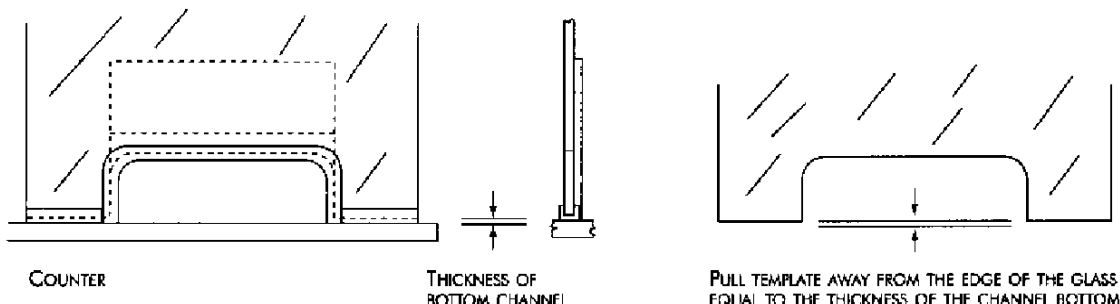
TYPE A INSTALLATION: GLASS IS SETTING ON TOP OF THE COUNTER

On installations where the glass is setting on top of the counter, take the enclosed template and place the edge of the template even with the edge of the glass and make the cutout.



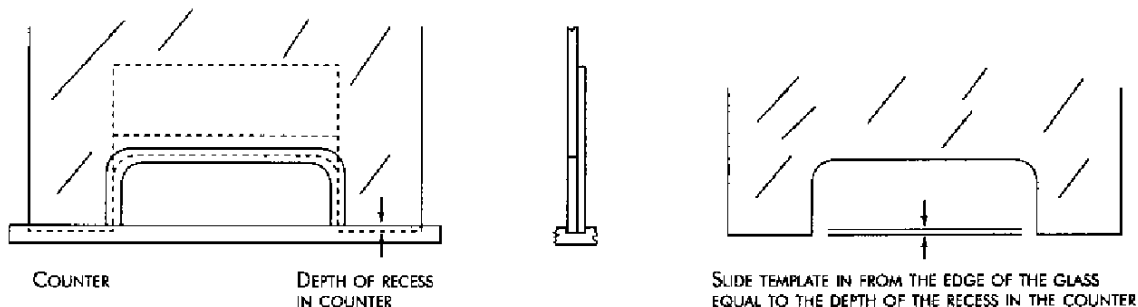
TYPE B INSTALLATION: GLASS IS SETTING IN A "U" CHANNEL ON TOP OF COUNTER

On installations where the glass is setting in a "U" Channel or metal sash on top of the counter, take the enclosed template and pull it away from the edge of the glass equal to the thickness of the bottom of the "U" Channel or sash you are using and make the cutout.



TYPE C INSTALLATION: GLASS IS SETTING IN A RECESSED GROOVE IN THE COUNTER

On installations where the glass is setting in a recessed groove in the counter, take the enclosed template and push it in from the edge of the glass equal to the depth of the recess in the counter and make the cutout.



(SEE OTHER SIDE FOR INSTALLATION INSTRUCTIONS)

C.R. LAURENCE

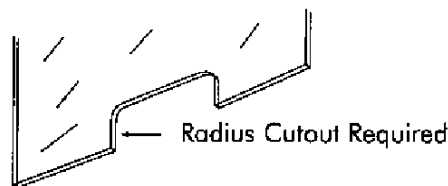
Installation Instructions

701 AND 702 SERIES VERTICAL SLIDING TICKET WINDOWS

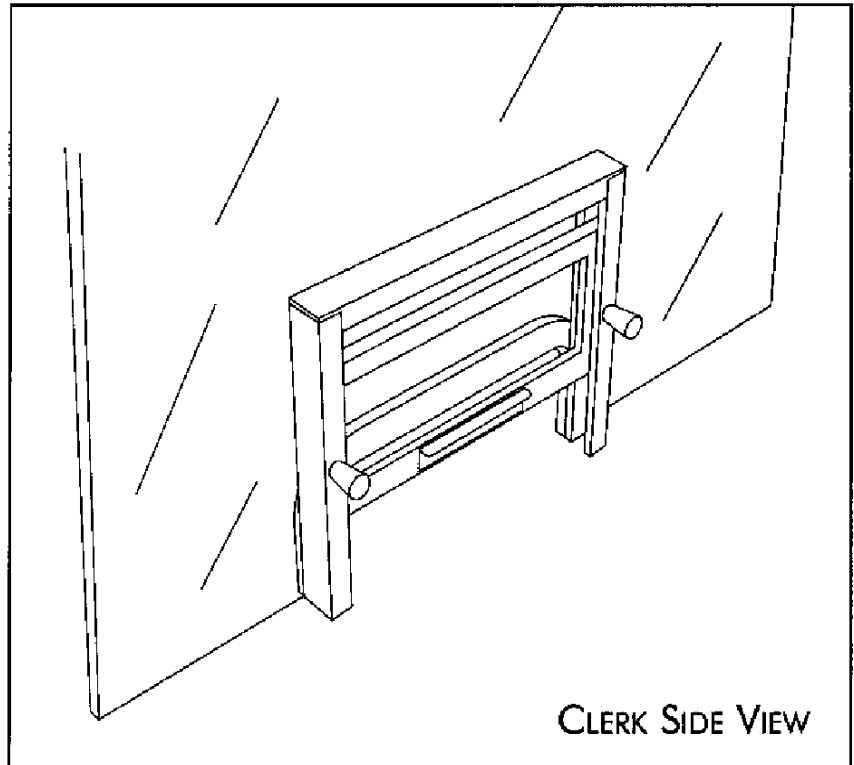
CONTENTS:

- 1 Assembled Vertical Sliding Ticket Window
- 1 Piece Black "U" Vinyl
- 1 Instruction Sheet
- 1 Glass Cutout Template

GLASS CUTOUT



(SEE OTHER SIDE FOR CUTOUT INSTRUCTIONS)



INSTALLATION INSTRUCTIONS:

READ ALL INSTRUCTIONS BEFORE STARTING INSTALLATION

1. PREPARE FOR INSTALLATION

Lay glass on a flat carpeted surface and seam the sharp edges of the cutout. This can be accomplished with a slight swipe with an abrasive sandpaper on both sides. Take the black vinyl and insert it on the cutout edge making sure the "U" is pressed tightly against the glass. Take a rubber lubricant or some soapy water and coat the outer edge of the vinyl. This will provide lubricity on which the outer frame of the ticket window will slide.

2. INSTALLATION OF VERTICAL SLIDING TICKET WINDOW

Slide the radiused channel of the unit into the cutout and against the vinyl, being sure the frame and catches are on the interior side. Then take a hammer and wood block, and lightly tap the top of the radiused channel until it is seated and fits securely.

3. Slide the window with the unit installed into the opening to complete the installation.

4. Catch knobs are spring loaded and snap into the sliding window. Catches can be disengaged by simply pulling out the knobs and turning them slightly to the left or the right. To re-engage, turn knobs back until they snap in.

(SEE OTHER SIDE FOR CUTOUT INSTRUCTIONS)

C.R. Laurence Co., Inc. Toll Free (800) 421-6144 FAX (800) 262-3299