

INSTALLATION INSTRUCTIONS

TRANSPARA™

SHOWER DOOR KIT



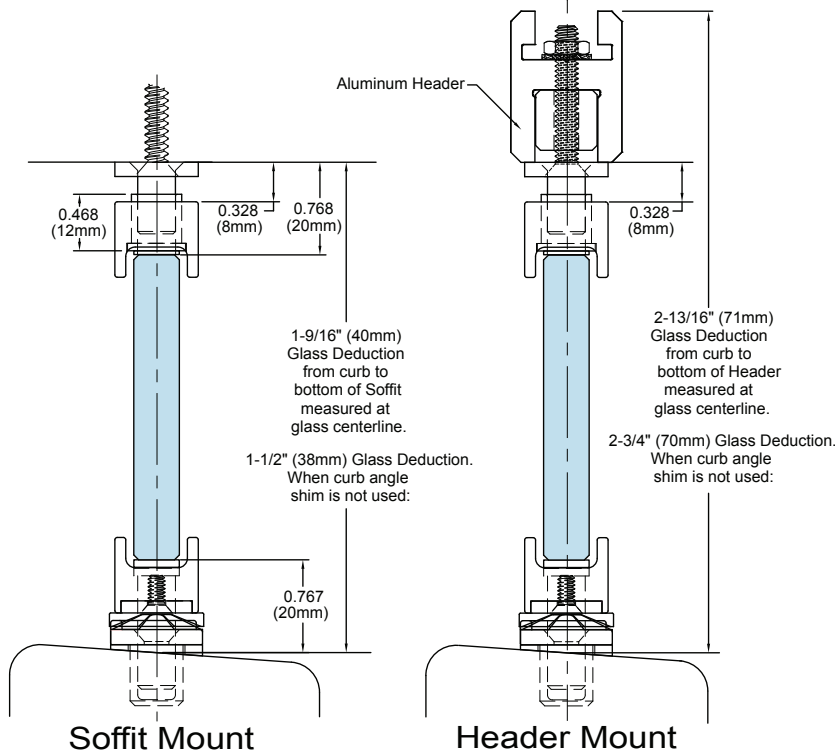
2503 E. Vernon Avenue, Los Angeles, CA 90058-1826
Phone: (800) 421-6144 EXT. 7740 Fax: (800) 458-7496
crlaurence.com Email: showers@crlaurence.com

11M0260

ORDER OF ASSEMBLY AND INSTALLATION

Specifications	02
Parts List	03
Layout Center Line	04
Determine Door Pivot Location	05
Measure and Cut Material	06
Method of Attachment	07
Add Setting Blocks	08
Install Glass Panels in Place	09
Assemble and Attach the Header	10
Drill Holes for the Top Pivot in the Header	11
Install Pivot Base Plate	12
Install the Door Wipe and Top Pivot	13
Push/Pull Door Handle Installation	14
Door Installation	15
Add End Caps, Bumpers, and Silicone to Seal All Panels in Place	16

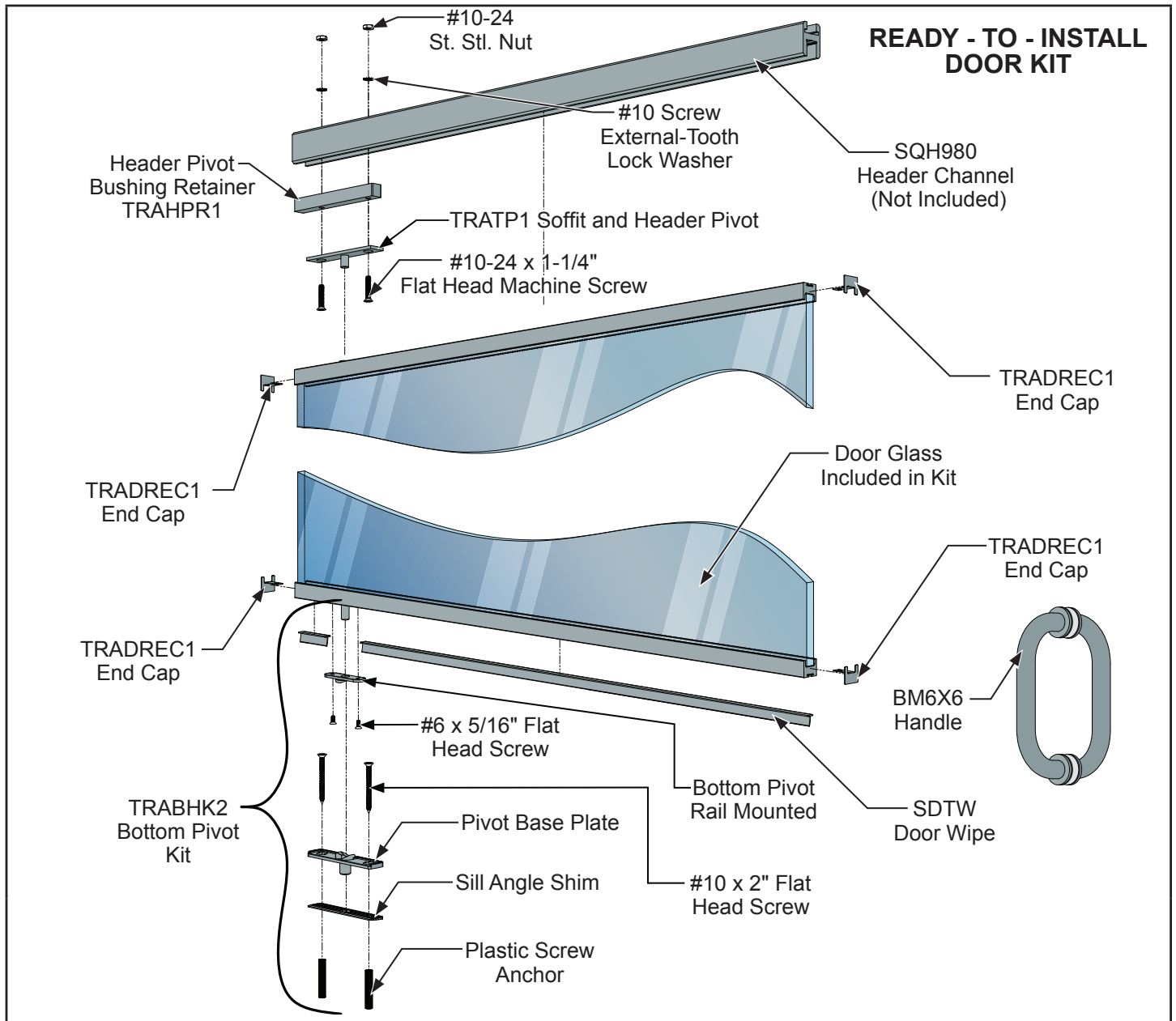
DOOR SPECIFICATIONS



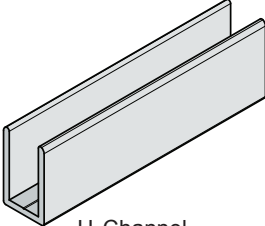
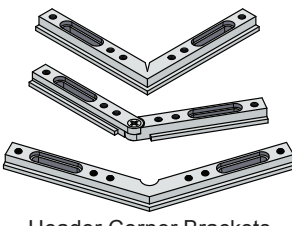
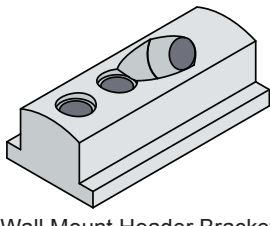
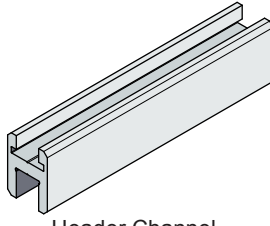
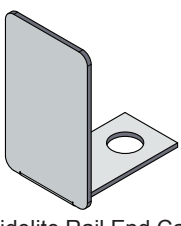
Maximum Height: 96" (2438 mm)
 Maximum Width: 31" (787 mm)
 Maximum Weight: 100 lbs. (45 kg)
 For use with 3/8" (10 mm) Tempered Glass.
NOTE: DO NOT USE LAMINATED GLASS.

NOT TO SCALE

DOOR KIT PARTS



ADDITIONAL PARTS AVAILABLE

<p>TRA1516UC</p>  <p>U-Channel</p>	<p>BHC BRACKETS</p>  <p>Header Corner Brackets</p>	<p>BWB2</p>  <p>Wall Mount Header Bracket</p>	<p>SQH980</p>  <p>Header Channel</p>	<p>TRAUCEC1</p>  <p>Sidelite Rail End Cap</p>
---	---	--	---	--

IMPORTANT: READ THIS MANUAL THOROUGHLY BEFORE BEGINNING INSTALLATION.

FULL HEIGHT INSTALLATIONS ONLY: LAYOUT CENTER LINE

1. Determine the glass center line. Apply masking tape and mark the full length on the top of the water dam. (**Figure 1**)
2. Continue the center line up each wall using a level.
3. If your system has a corner and you are installing a full height model, use a "Plumb Bob" or a "Laser Level" to determine the center line intersection at the ceiling.
4. Connect the wall and corner center lines on the ceiling.

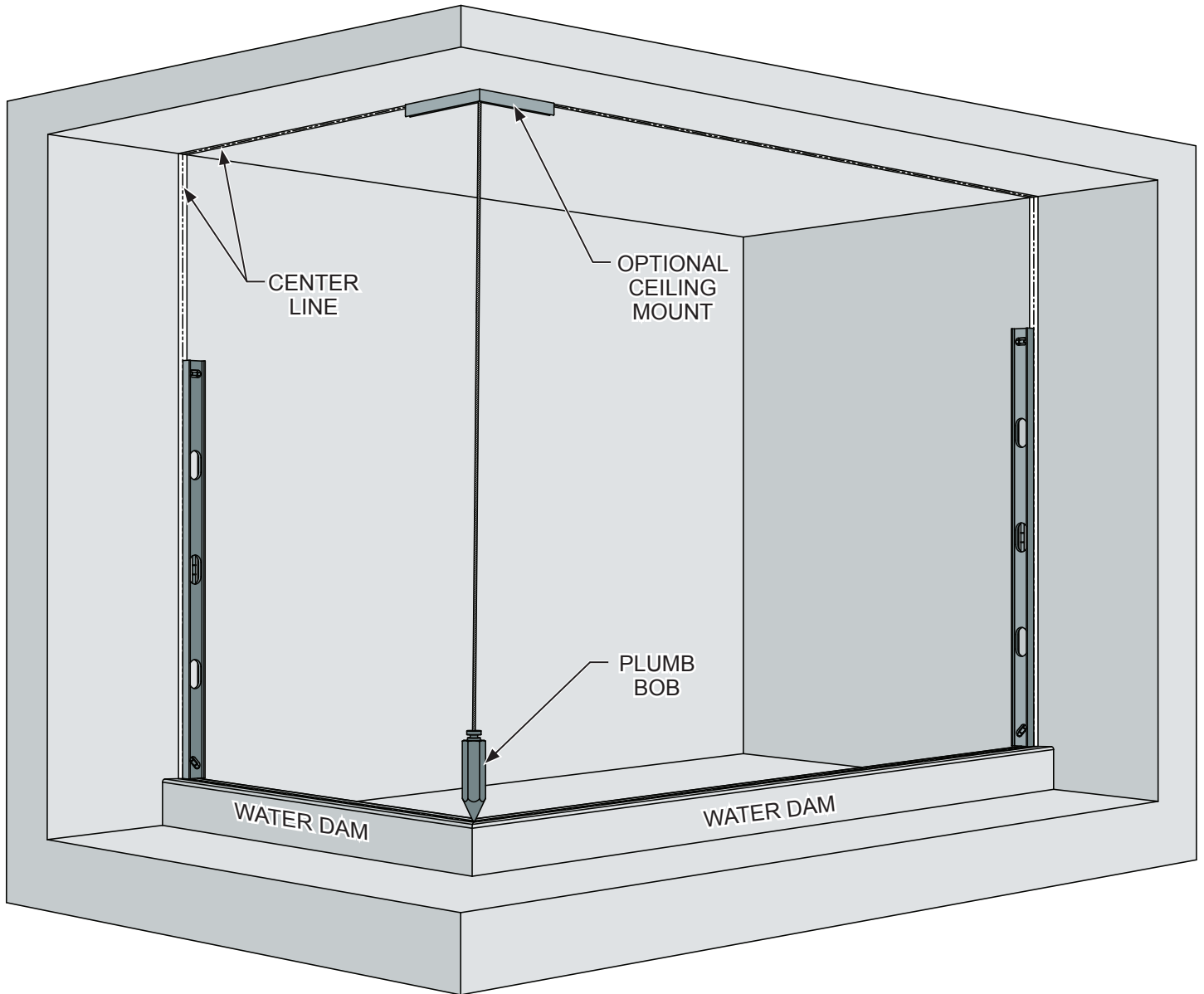


Figure 1
FULL HEIGHT
TRANSPARA MODEL
WITH CORNER

NOT TO SCALE

FULL HEIGHT AND HEADER INSTALLATIONS: DETERMINE DOOR PIVOT LOCATION

1. Determine, mark and drill the bottom pivot location. (Figure 2) or (Figure 3)
2. If you are installing the full height model use a "Plumb Bob" or a "Laser Level" to align the top pivot with the bottom pivot mark.

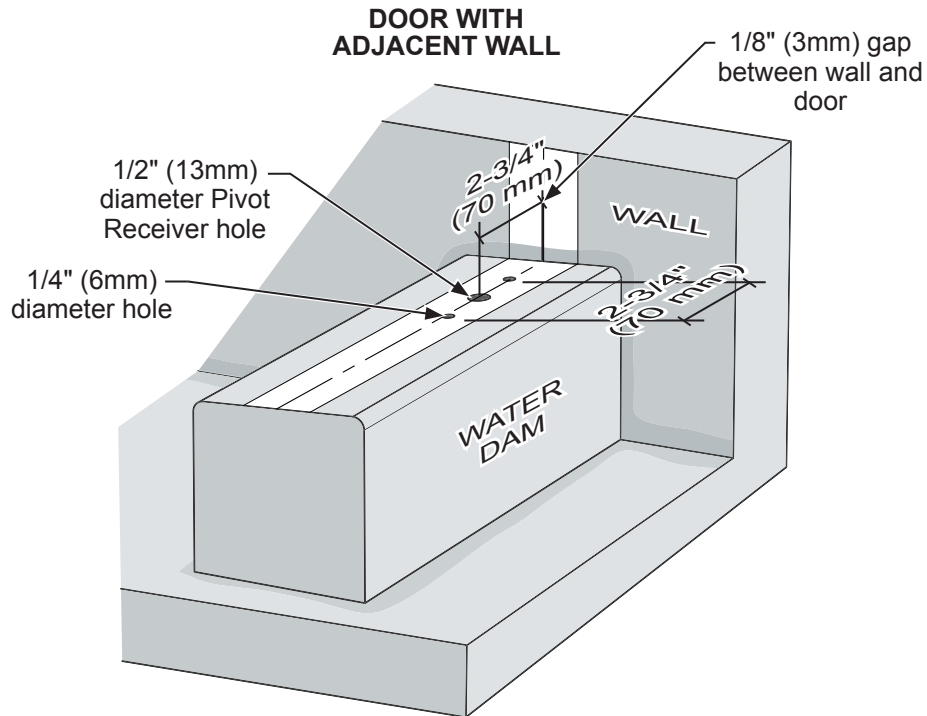


Figure 2

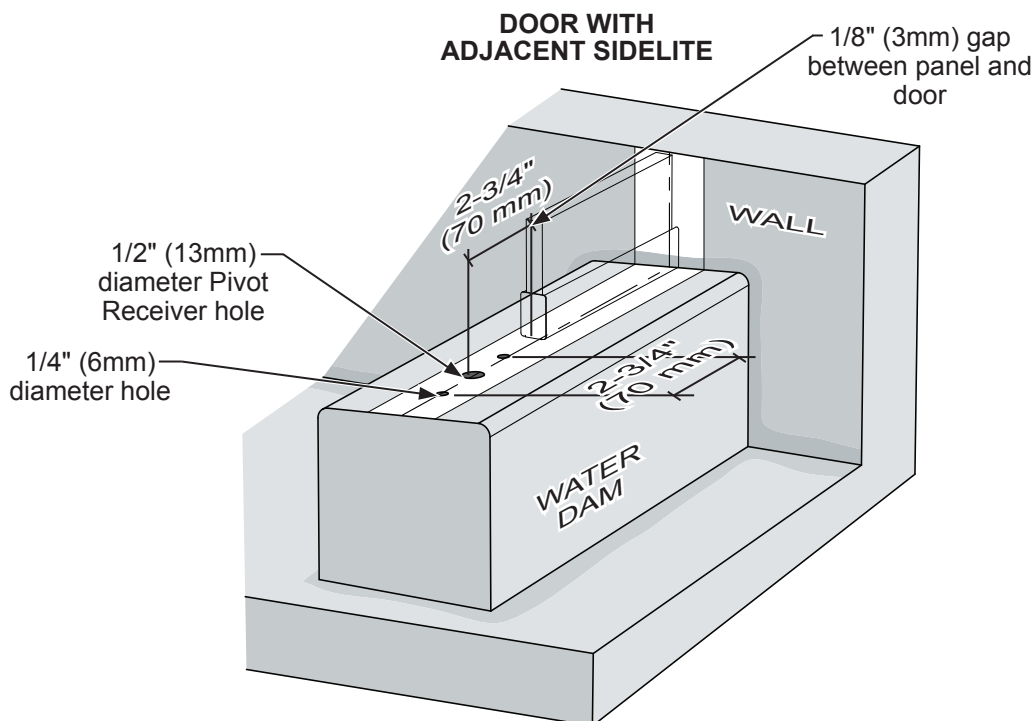


Figure 3

NOT TO SCALE

FULL HEIGHT AND HEADER INSTALLATIONS: MEASURE AND CUT THE MATERIAL

1. Measure each center line length.
2. Mark and cut the material to size. Miter the corner pieces if applicable.
3. Drill and countersink the channel. **(Figure 4)**

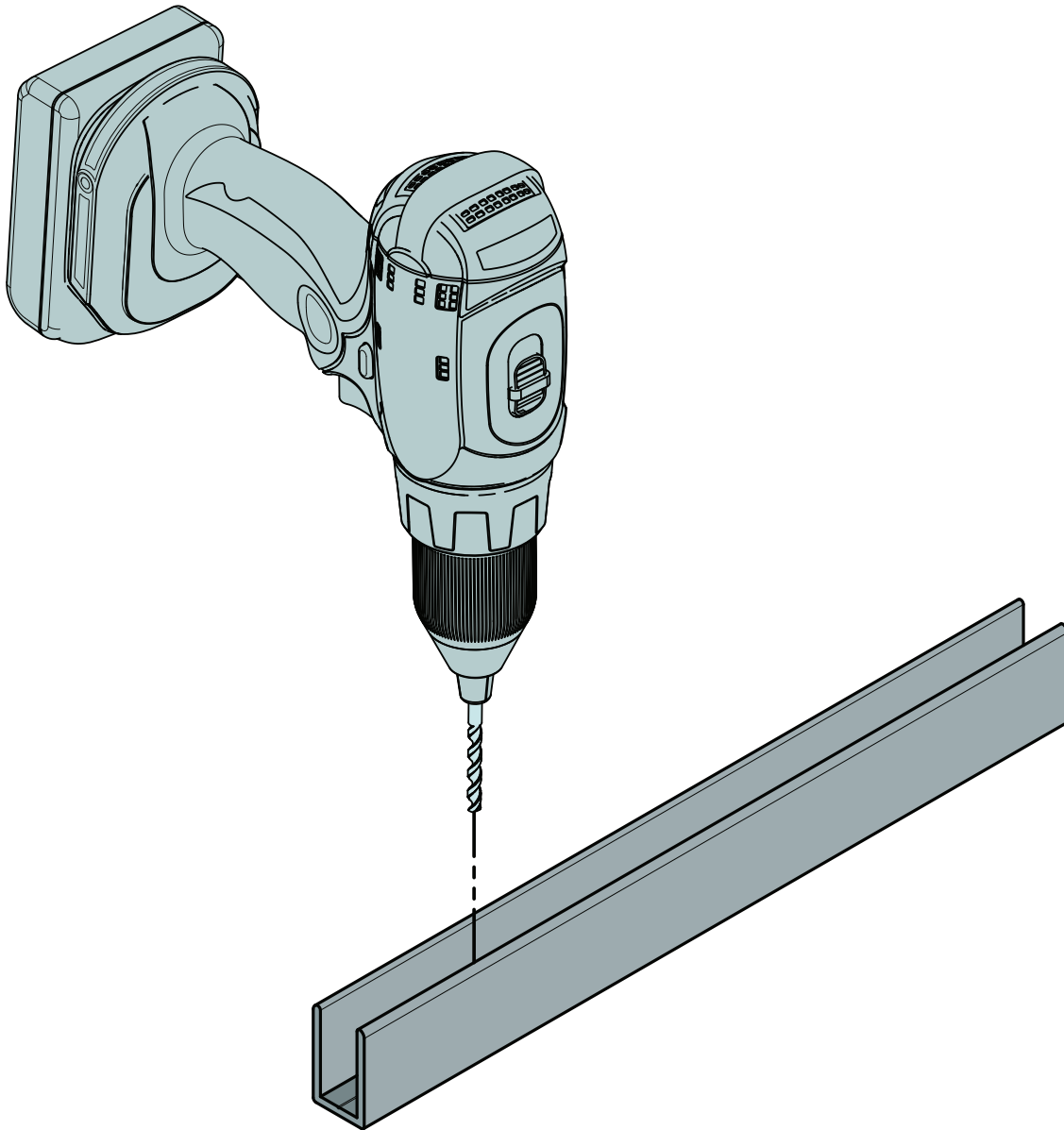


Figure 4
DRILL AND
COUNTERSINK

NOT TO SCALE

FULL HEIGHT AND HEADER INSTALLATIONS: METHOD OF ATTACHMENT

1. Place each channel on top of the center line and mark the hole locations. (Figure 5)
2. Drill all the marked holes and remove the masking tape. (Figure 6)
3. Fill the holes with **Cat. No. 33SMRC or 33SC** Silicone Sealant (not included). Insert the plastic screw anchor using a rubber mallet. Trim excess with blade. (Figure 7)
4. Attach the channel with **Cat. No. P815SS** Stainless Steel Screws (not included) and add **Cat. No. 33SMRC or 33SC** Silicone Sealant to the screw heads. (Figure 8)

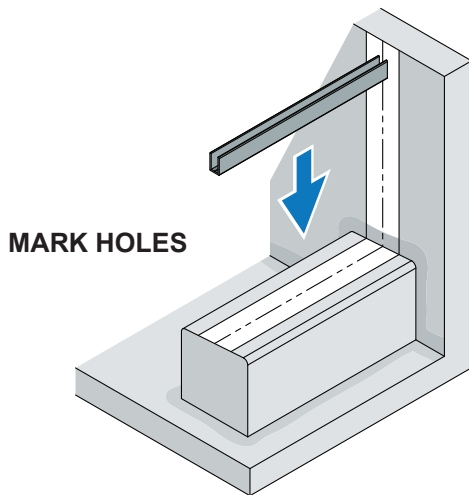


Figure 5

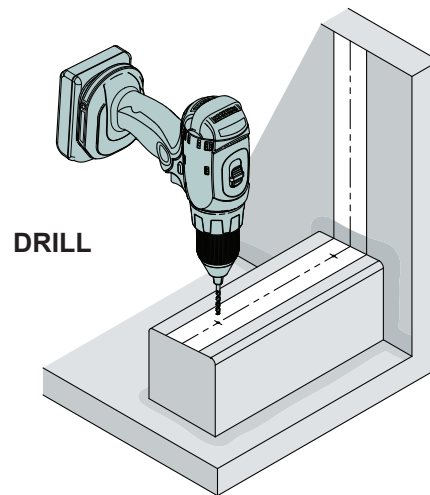


Figure 6

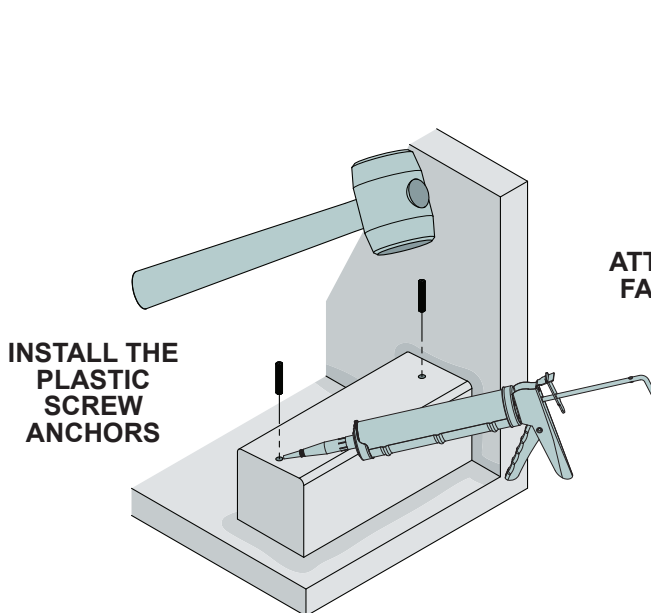


Figure 7

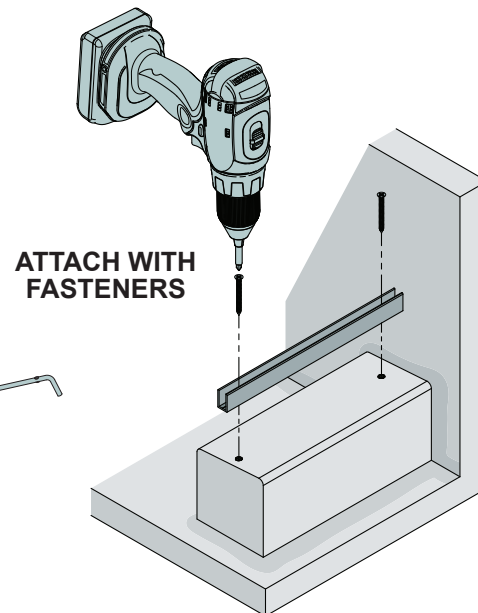


Figure 8

NOT TO SCALE

FULL HEIGHT AND HEADER INSTALLATIONS: ADD SETTING BLOCKS

1. Insert the **SB564** Setting Blocks (not included). (Figure 9)

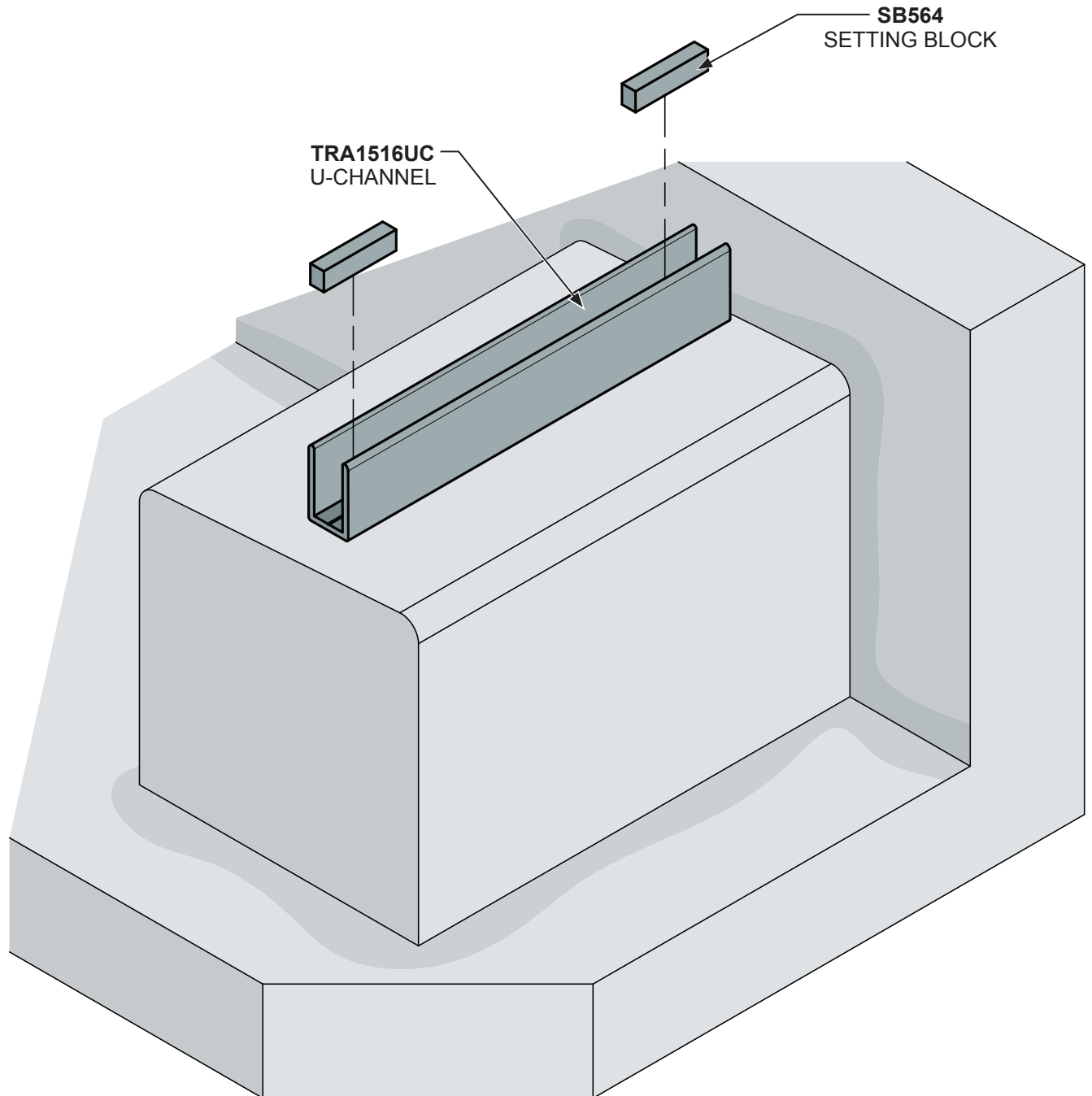


Figure 9

NOT TO SCALE

GLASS PANEL INSTALLATION: HEADER INSTALLATION

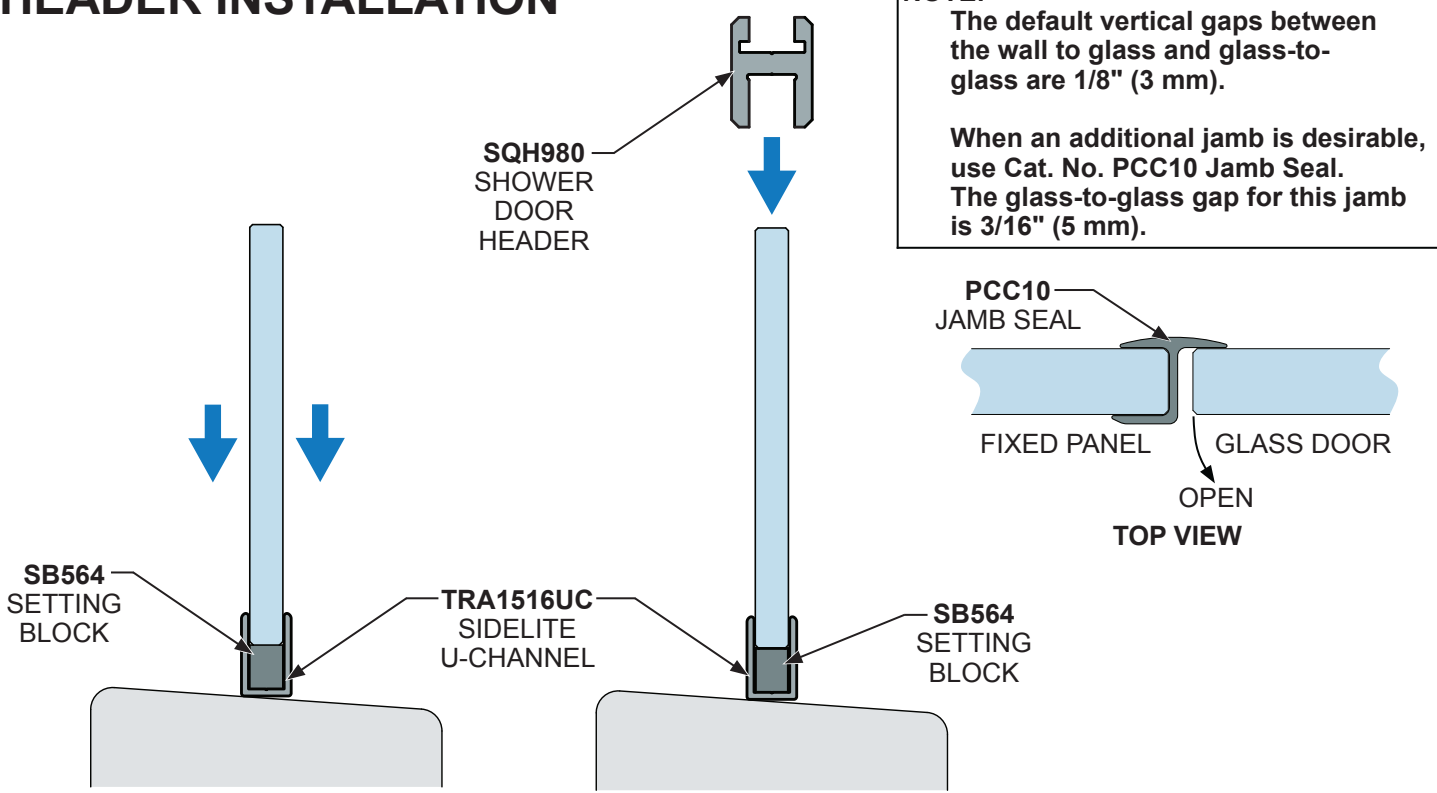


Figure 10

FULL HEIGHT INSTALLATION

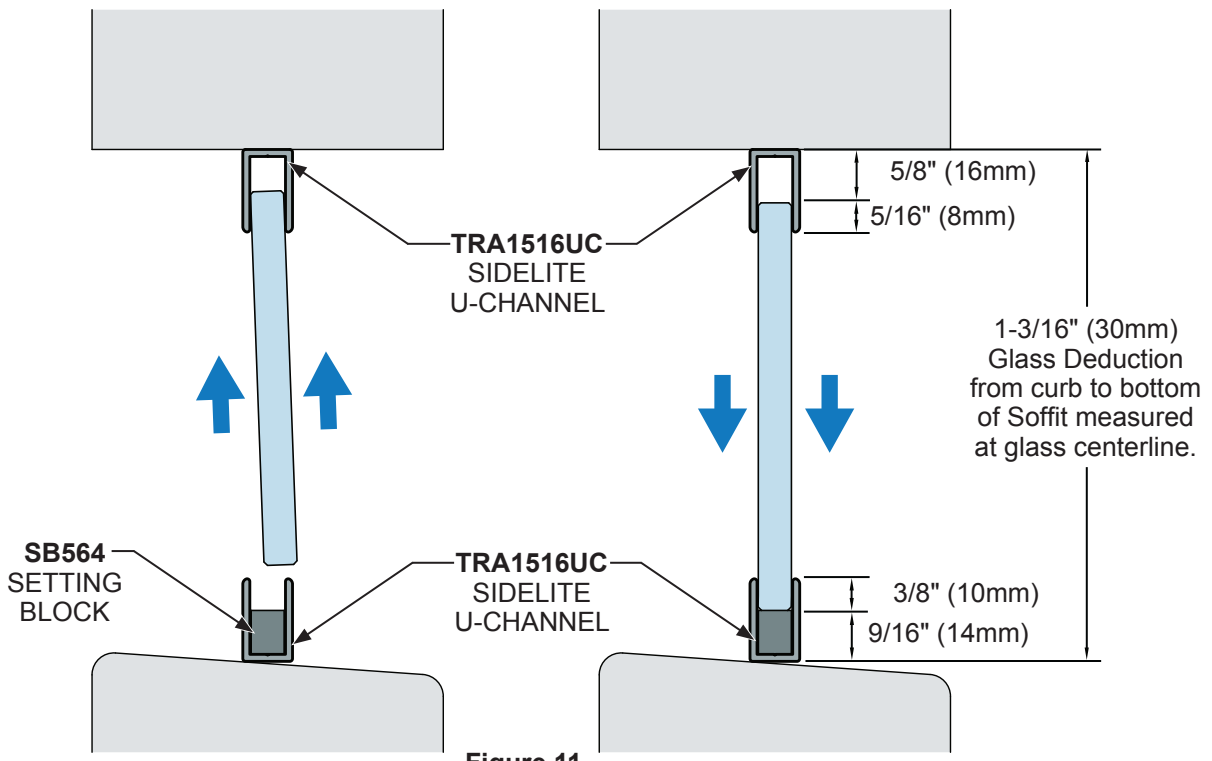


Figure 11

NOTE: IF YOU ARE USING THE FLOOR-TO-CEILING SYSTEM PROCEED TO PAGE 12

NOT TO SCALE

HEADER INSTALLATIONS: ASSEMBLE AND ATTACH THE HEADER

1. Position all the fixed panels in place before attaching the header.
2. Assemble the header using the **BHC** Header Brackets if you have an angled configuration. Use both **BWB2** Wall Mount Header Brackets. Tighten all the set screws. **(Figure 12)**
3. Mark the location of the **BWB2** Wall Mount Header Bracket.
4. Drill the marked holes at **120° angle** and remove the remaining masking tape. **(Figure 13)**
5. Insert the plastic screw anchors using a rubber mallet. Trim excess with blade.
6. Protect the glass with the included vinyl and position the header on top of the fixed panel. Fasten the header to the wall.

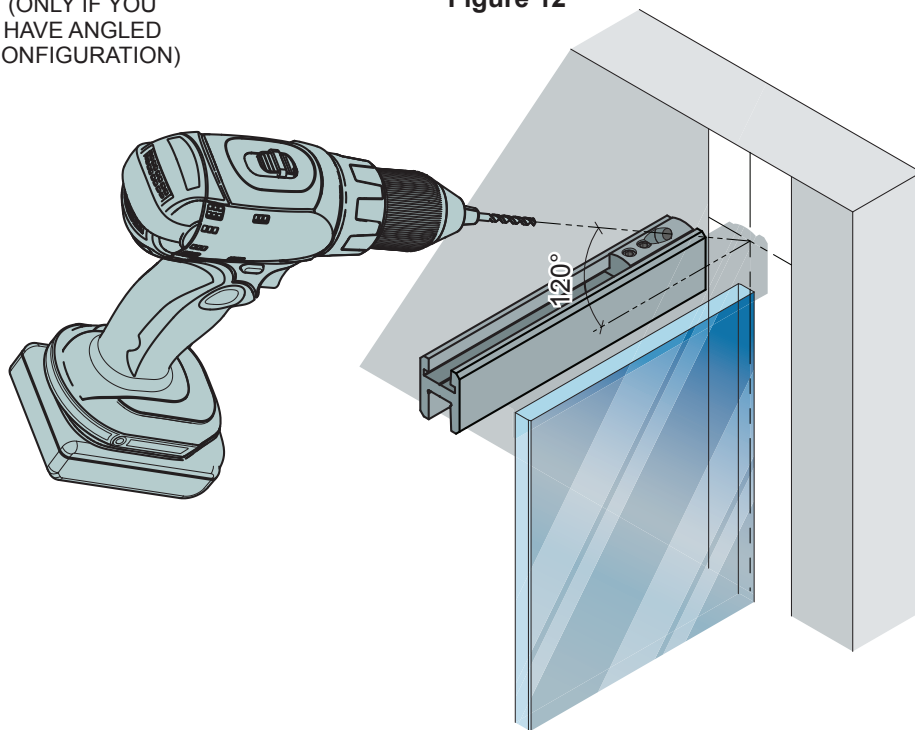
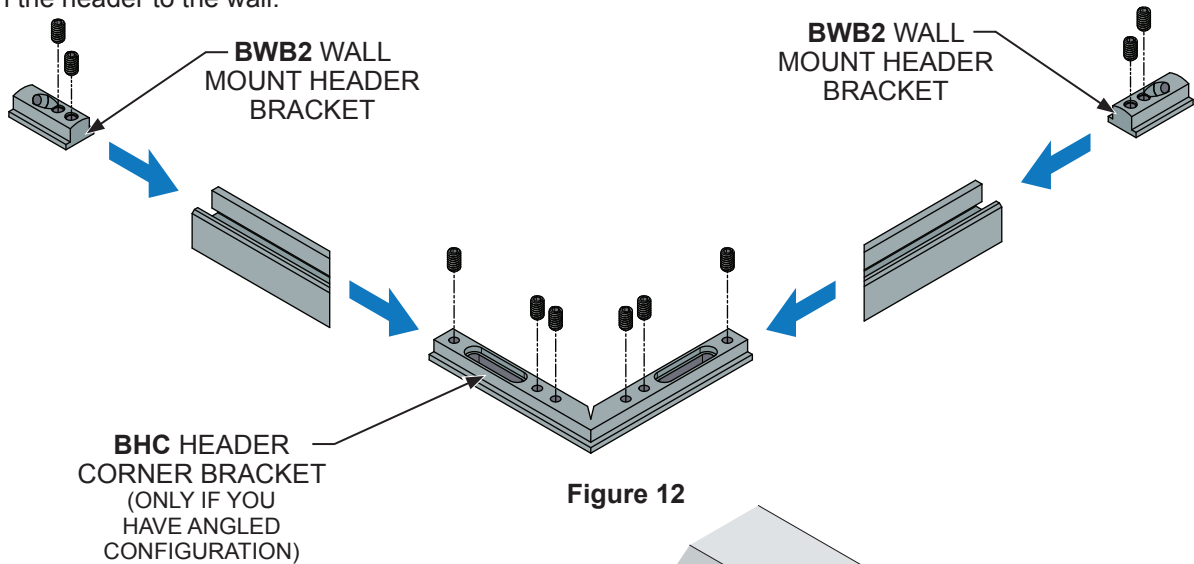


Figure 13

NOT TO SCALE

HEADER INSTALLATION: DRILL HOLES FOR THE TOP PIVOT ON THE HEADER

1. Use the "Plumb Bob" or "Laser Level" to align and determine the center location of the pivot at the header by sliding the **TRAHPR1** Pivot Bushing Retainer until the "Plumb Bob" aligns with the bottom pivot location. Mark as illustrated in **Figure 2** and **Figure 3** (See **Page 05**). Once the pivot location has been determined mark the hole locations on the header. (**Figure 14**)
2. Drill a 7/32" through-hole.

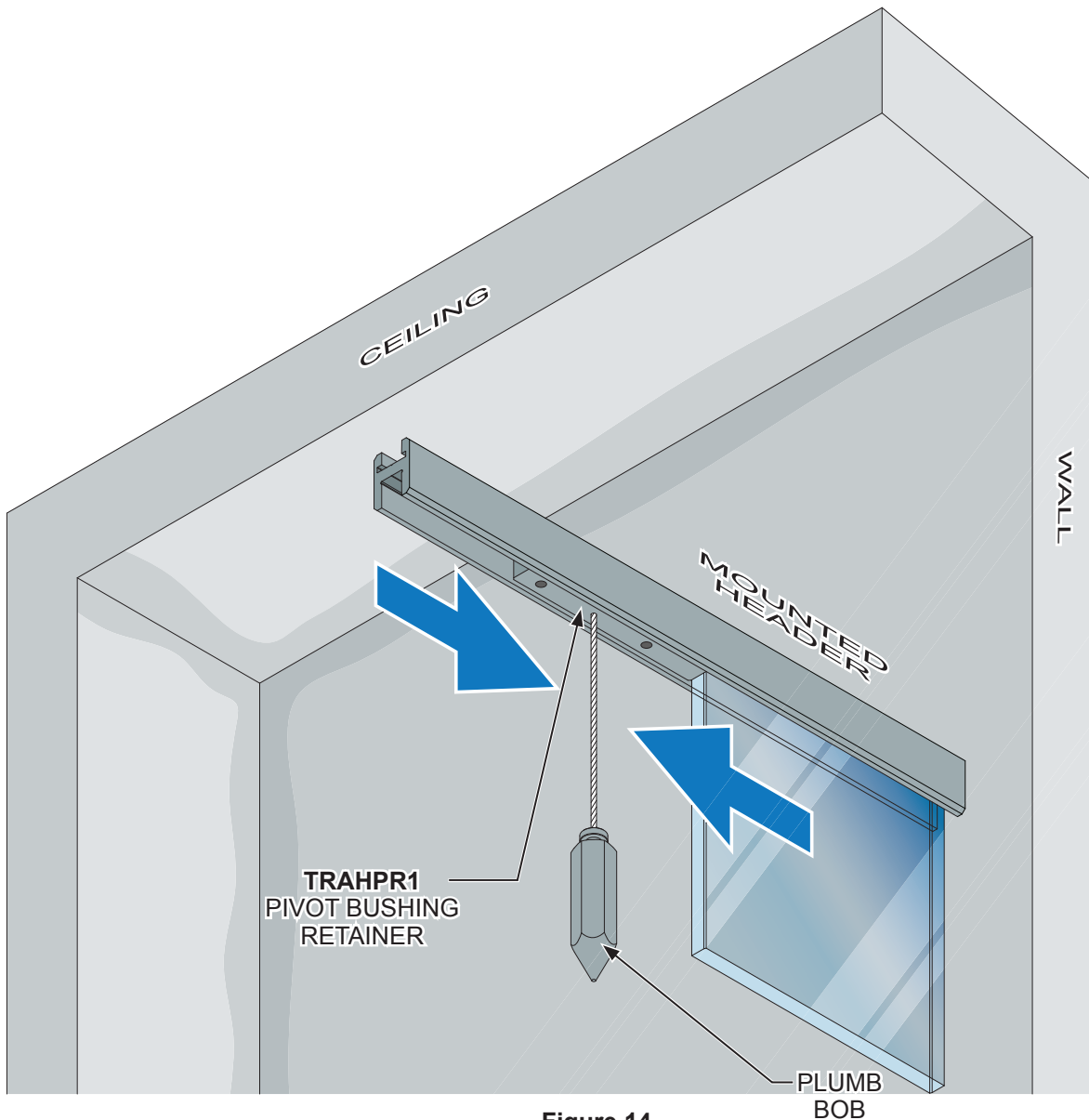


Figure 14

NOT TO SCALE

FULL HEIGHT AND HEADER INSTALLATION: PLACE AND INSTALL THE PIVOT BASE PLATE

1. Add **Cat. No. 33SMRC or 33SC** Silicone Sealant (not included) in the pivot receiver hole, fastener holes, and under the Sill Angle Shim if needed.

Install the plastic screw anchors, Angle Shim and Pivot Base Plate using **Cat. No. 10X112FHPPS** stainless steel 10 x 1-1/2" Flat Head Phillips Screw. (Figure 15)

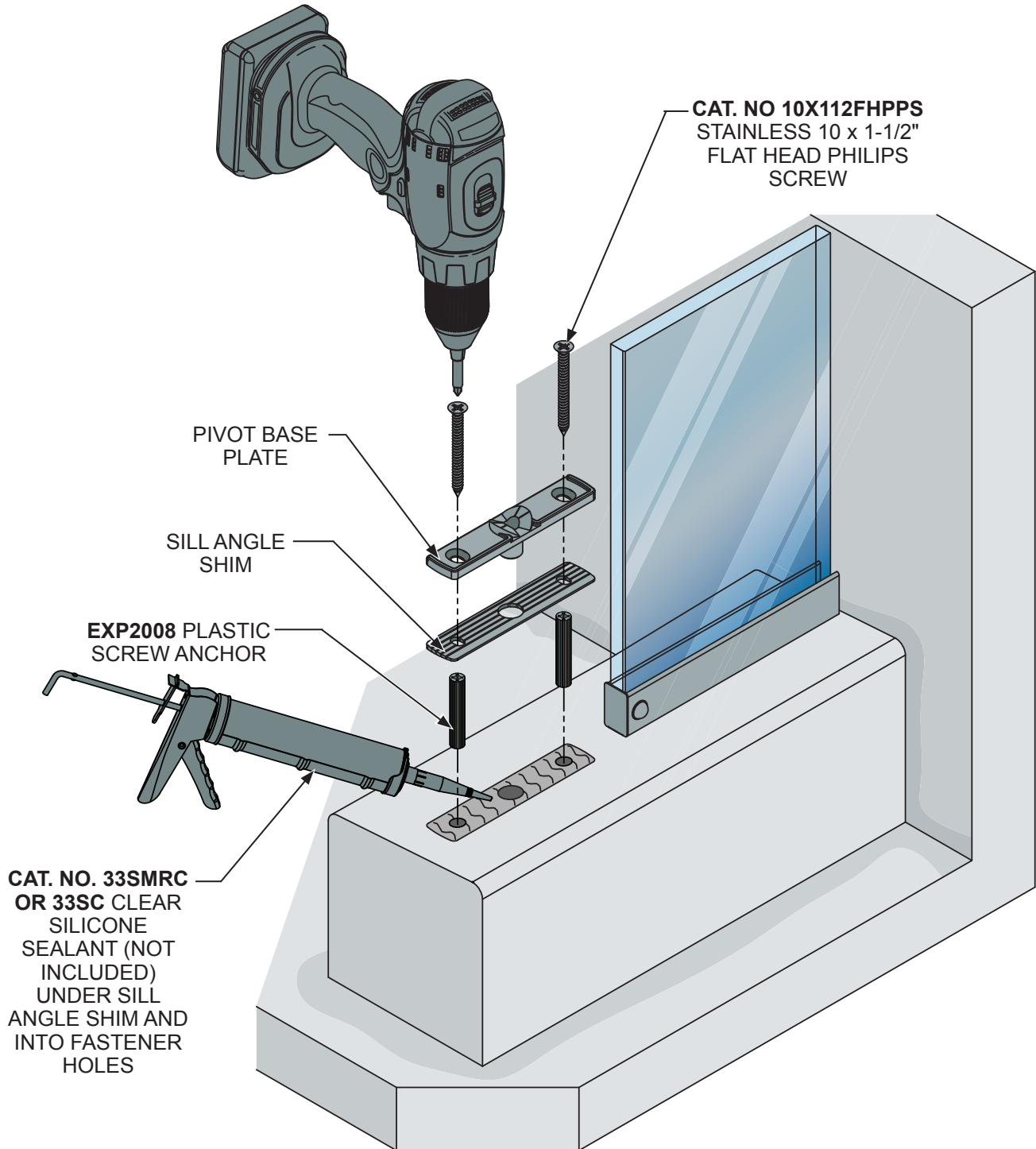


Figure 15

NOT TO SCALE

FULL HEIGHT AND HEADER INSTALLATION: ADD THE DOOR WIPE AND TOP PIVOT

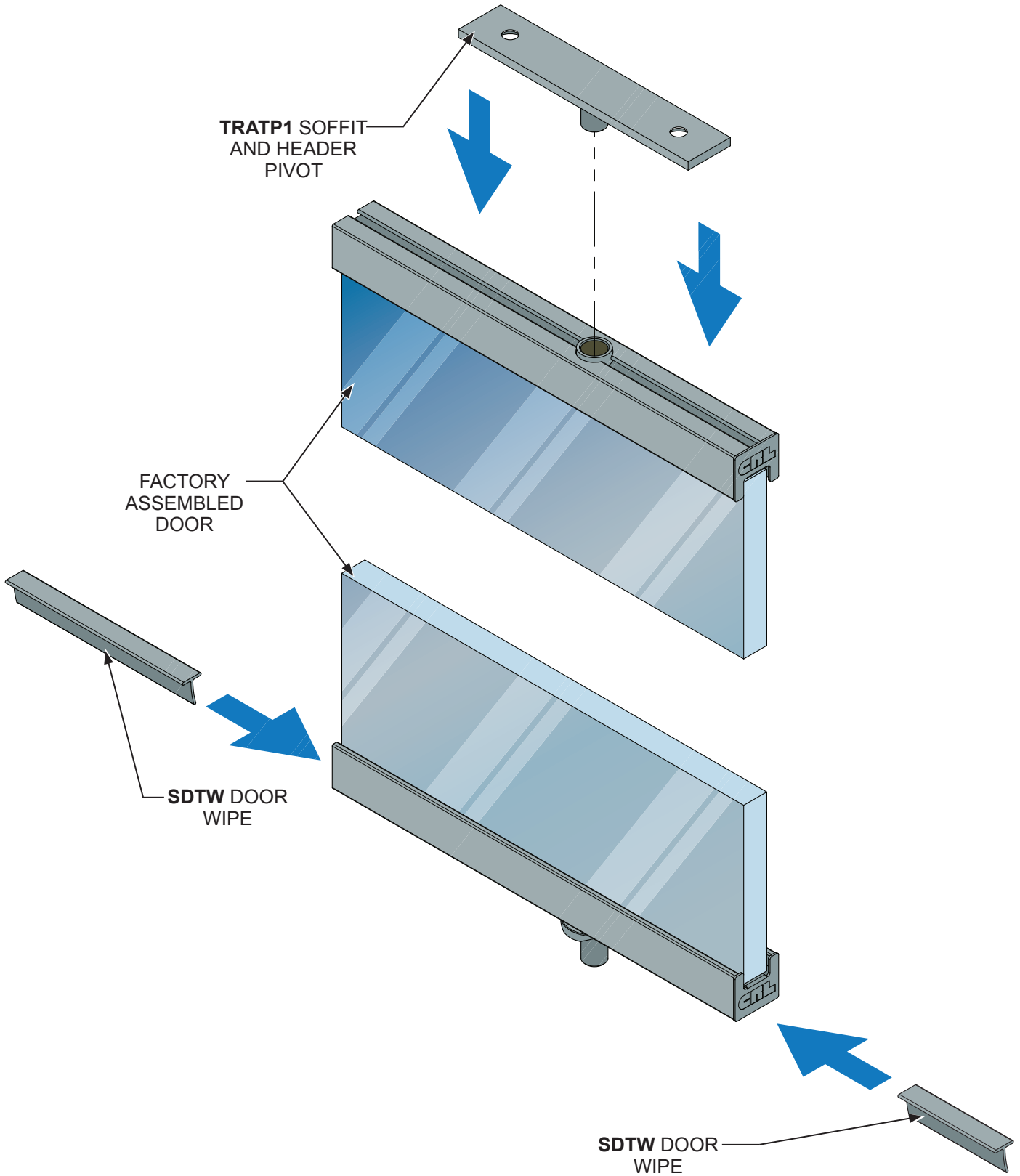


Figure 16

NOT TO SCALE

FULL HEIGHT AND HEADER INSTALLATION: DOOR INSTALLATION

1. Insert the Door Pivot through the Pivot Base Plate. **It is important that the door must be set in place before the silicone sealant cures.** (Figure 18)
2. For the header systems attach the Bushing Retainer and Top Pivot into the header with the fasteners supplied. See (Figure 19)
3. For the full height systems screw the top pivot into the ceiling or soffit with the fasteners supplied. (Figure 20)

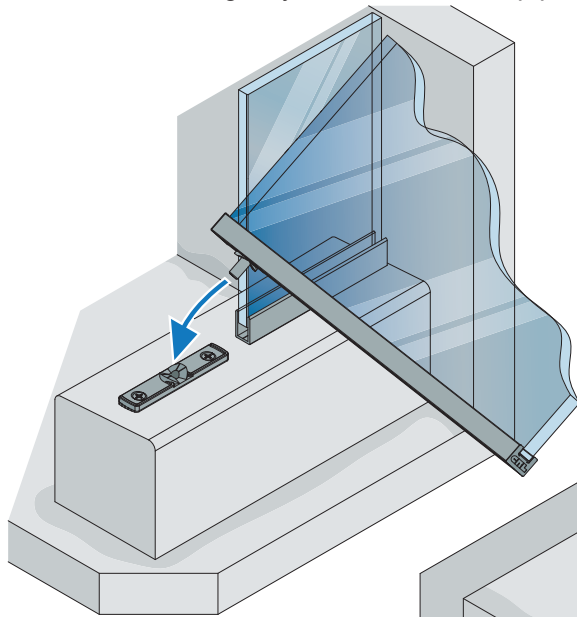


Figure 18

NOTE: THE SHOWER DOOR MUST BE INSTALLED AND IN THE CLOSED POSITION BEFORE SEALANT AT THE BASE PIVOT CURES. THIS WILL ALLOW THE SHIM TO ADJUST TO THE PROPER ANGLE.

IMPORTANT: IF THE CEILING / SOFFIT IS DRYWALL, MAKE SURE THAT THE TRATP1 TOP PIVOT IS ATTACHED TO AN APPROPRIATE BACK - UP STRUCTURE SUCH AS A CEILING JOIST OR A BACKER BLOCK.

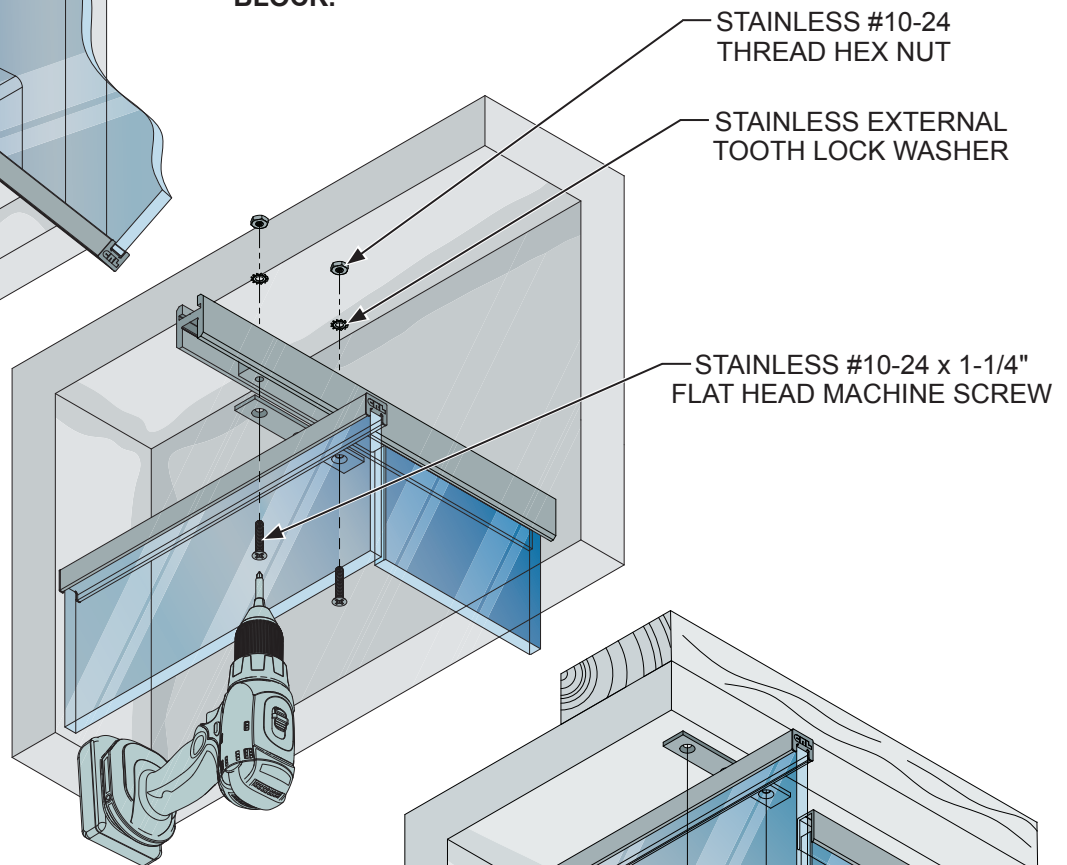


Figure 19

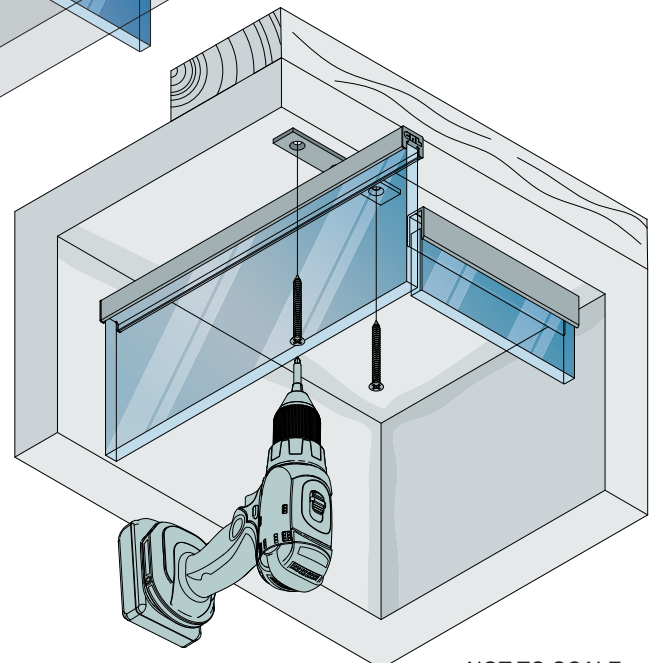


Figure 20

NOT TO SCALE

FULL HEIGHT AND HEADER INSTALLATIONS: ADD END CAPS, BUMPERS, AND SILICONE. SEAL ALL GLASS PANELS IN PLACE.

1. Insert **TRAUCEC1** End Caps into channel at doorway and seal with **Cat. No. 33SMRC or 33SC** Silicone Sealant (not included). (**Figure 21**)
2. Peel the clear bumper adhesive protector and attach the clear bumper at 1/4" (6mm) from the edge of the channel. (**Figure 21**)
3. Apply and tool **Cat. No. 33SMRC or 33SC** Silicone Sealant to the channel perimeter, then seal all the glass panels and joints at the top and bottom. (**Figure 22**)

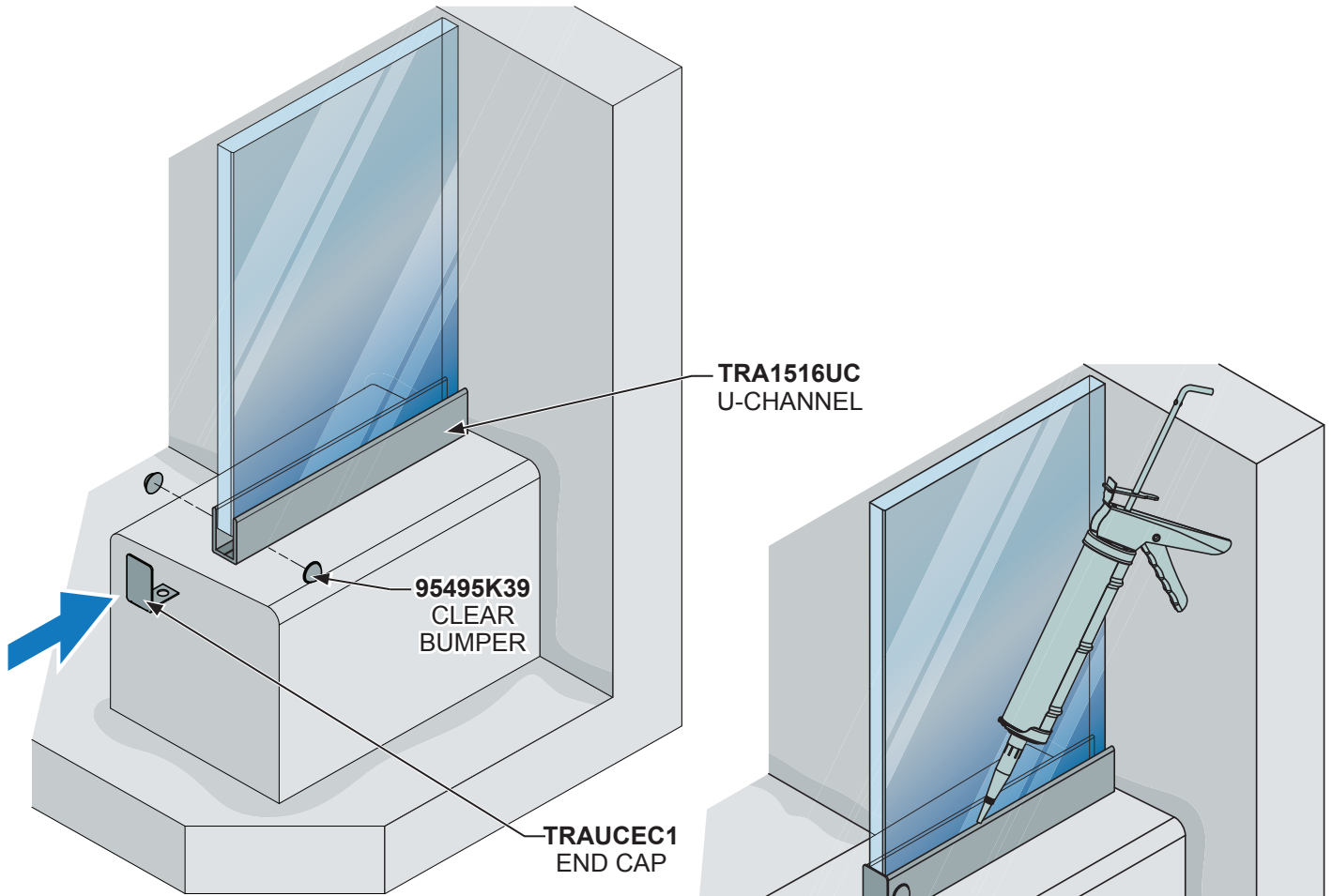


Figure 21

Figure 22
SEAL PERIMETER
OF GLASS TO
CHANNEL

NOT TO SCALE