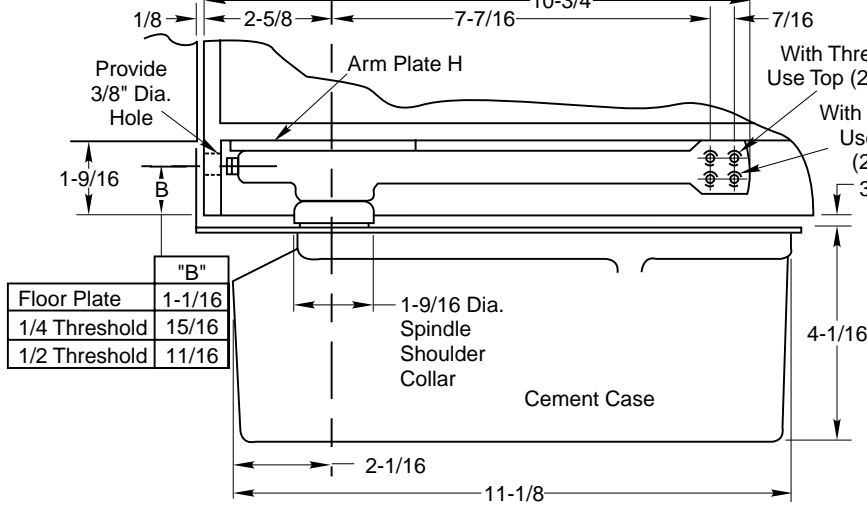
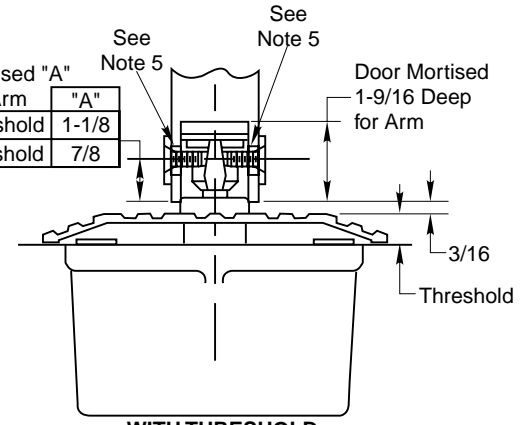


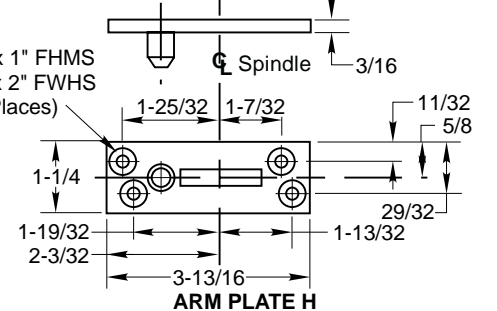
Door Mortised "A" Deep for Arm

| | |
|---------------|-------|
| 1/4 Threshold | 1-1/8 |
| 1/2 Threshold | 7/8 |



| | |
|---------------|--------|
| Floor Plate | 1-1/16 |
| 1/4 Threshold | 15/16 |
| 1/2 Threshold | 11/16 |

- Notes:**
1. Do not scale drawing.
 2. Suitable reinforcing by others.
 3. Rixson design threshold available on request.
 4. Tighten adjusting screw to notched "V" line on arm to acquire standard initial location of door. Screw moves door towards and away from jamb to equalize door clearances.
 5. Provide 5/8" dia. hole for alignment screw.
 6. All dimensions given in inches.



28 Series Floor Closer Center Hung Single Acting

RIXSONTM

Rixson Specialty Door Controls

www.rixson.com

| | | | |
|-----------------|---------|------|------|
| TEMPLATE NUMBER | CH20100 | DATE | 2-01 |
|-----------------|---------|------|------|