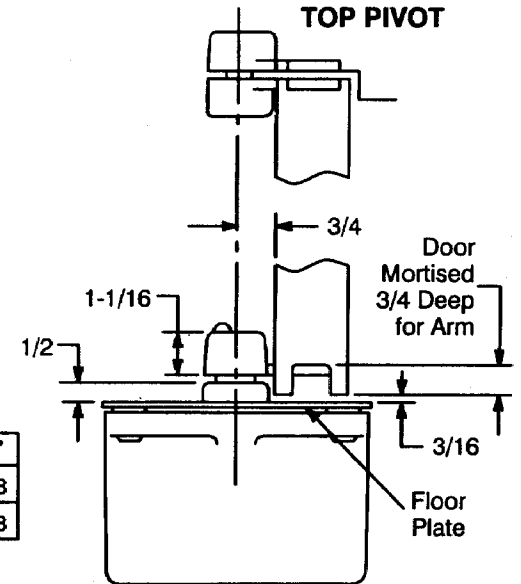


WITH THRESHOLD
Set Cement Case Flush with Finished Floor

Notes:

1. Do not scale drawing.
2. Right hand shown.
3. Maximum degree of opening, trim permitting:
2785 or 2785DA 85°
2790 or 2790DA 90°
27105 or 27105DA 105°
Suffix Letters:
A - Automatic Hold Open
S - Selector Hold Open
4. Where vertical adjustment is necessary, two (2) 1/16" thick shims are provided to be placed between arm and arm bearing washer.
5. All dimensions are in inches.



WITH FLOOR PLATE
Set Cement Case 1/8" Below Surface of Finished Floor

27 Series Floor Closer
3/4" Offset



Rixson Specialty Door Controls

www.rixson.com

TEMPLATE NUMBER

OS10055

DATE

6-94