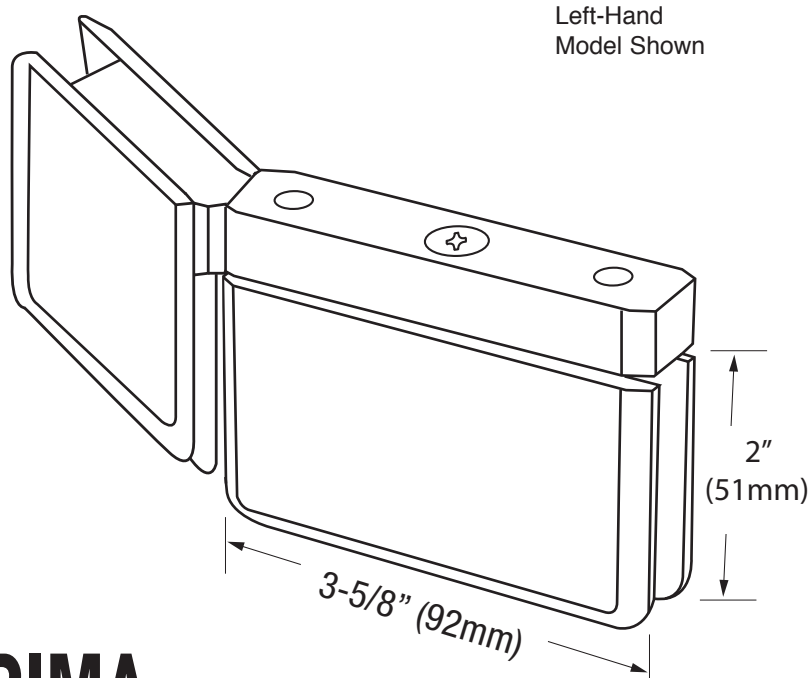




C.R. LAURENCE CO., INC.
PROFESSIONAL QUALITY



PRIMA

Hinge with U-Clamp

CAT. No. PPH0735L & PPH0735R

Edge Mount Preferred Method	Page 4G-54
Edge Mount Alternate Method	Page 4G-55
Top Flush Mount Method	Page 4G-57
Bottom Mount Method	Page 4G-58

*Maximum Door Capacities	5/16" (8mm) Glass		3/8" (10mm) Glass	
	Weight	Width	Weight	Width
Using 2 Hinges	100 lbs.(45 kg)	31"(787mm)	100 lbs.(45 kg)	31"(787mm)

*NOTE: Do not exceed either maximum weight or width when choosing proper quantity of hinges.

Important Information:

Template Options: The PPH0735 Prima Hinge with U-Clamp offers two standard template options, depending upon the capabilities of the temperer (see lower left of this page). The Preferred Method allows a full vertical seal along the hinge side. The Alternate Method leaves a short leg of glass, thus not allowing a full length vertical seal. Alternate specialty templates are also available. See lower left of page. **Do Not Fabricate Glass Prior to Qualifying for Design and Installation Criteria Shown on Page 4G-56.**

Specifications:

- Door Glass Sizes:** 5/16" (8mm) to 3/8" (10mm) thick tempered safety glass
- Construction:** Solid brass
- Closing Type:** Self-centering when within 15° of closed position
- Cutout Required in Door, Hole Required in Fixed Panel**
- Includes:** Gaskets, screws and template

Use of Gaskets:

- For 5/16" (8mm) Door Glass:** Use one thick gasket and one thin gasket on each side
- For 3/8" (10mm) Door Glass:** Use one thick gasket on each side

Recommendations:

For public safety, we only recommend the use of tempered safety glass. Do not use power tools when installing these hinges.

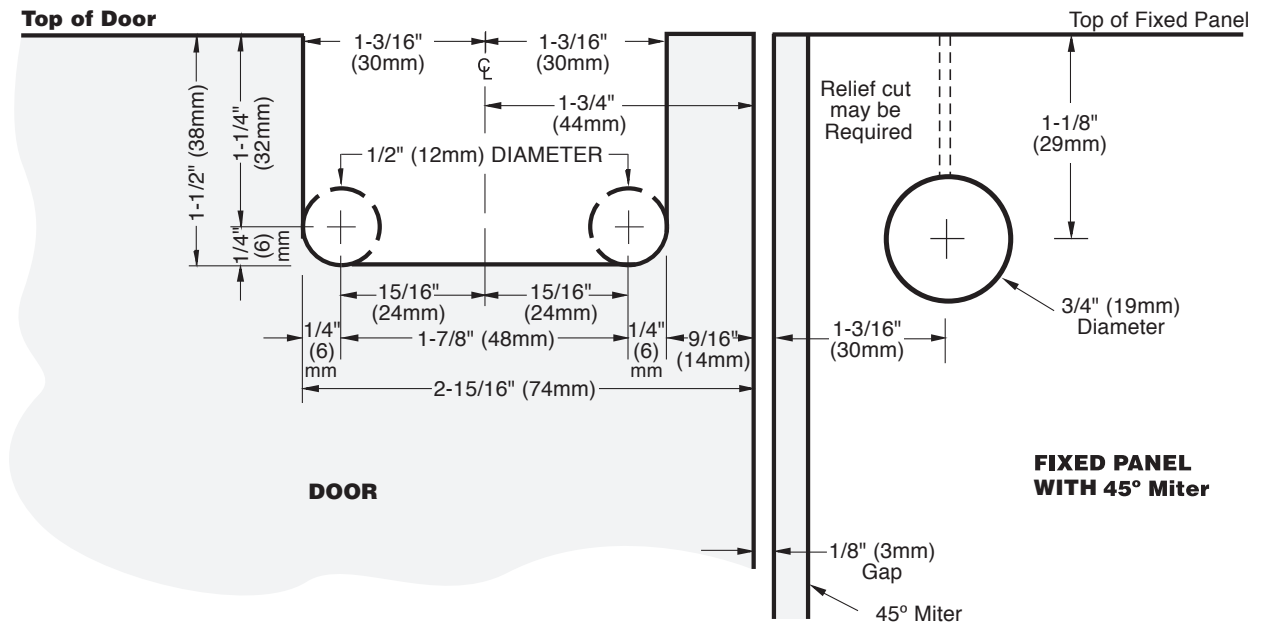
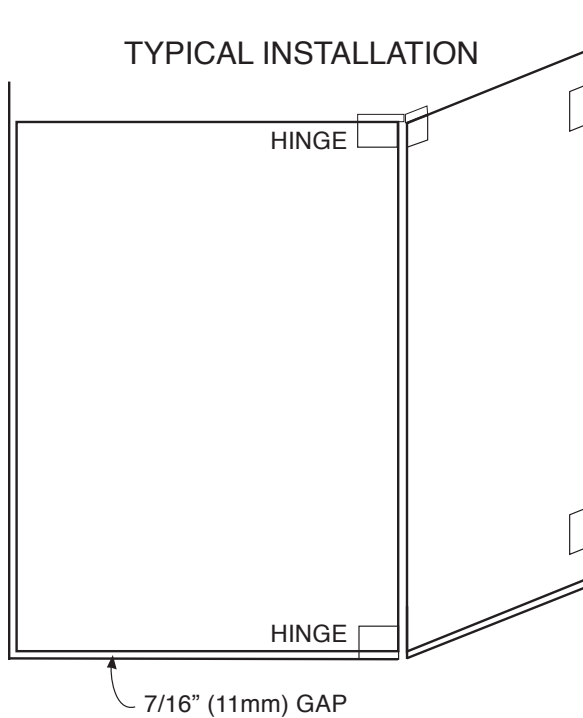
Maintenance Guidelines:

- Never use an abrasive cleaner on the hardware. Many of the components are coated with a clear lacquer that will be irreparably damaged if subjected to harsh, abrasive chemicals. Advise your customer that drying the hardware with a clean, soft towel on a daily basis is the best way to maintain the hardware. If mineral deposits build-up, mix a couple of drops of a mild liquid soap (such as Ivory or a similar product) into a cup of warm water. Using a soft, non-abrasive cloth, clean the hardware. Rinse thoroughly with clean, warm water and dry.



Important Information:

Do Not Fabricate Glass Prior to Qualifying for Design and Installation Criteria Shown on Page 4G-56.



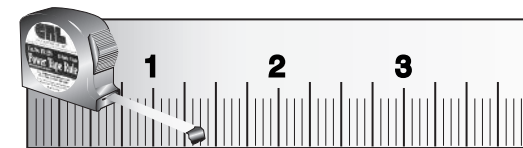
PRIMA

Hinge with U-Clamp

Cat. No. PPH0735L & PPH0735R

Edge Mount Preferred Method

ALWAYS USE DIMENSIONS

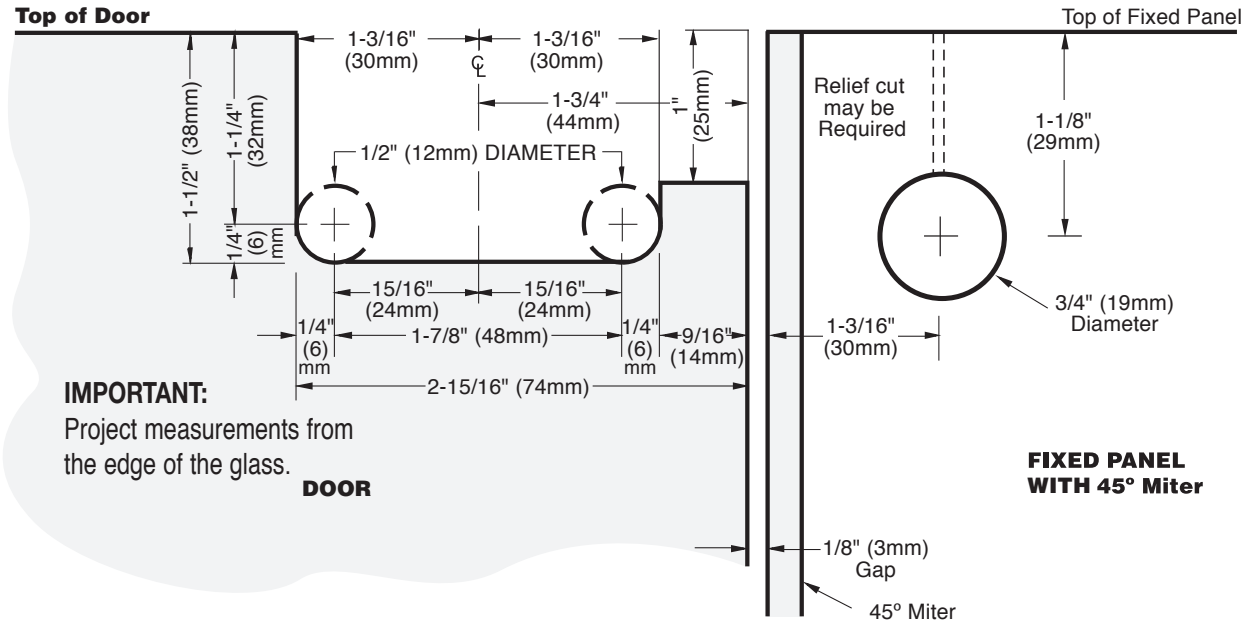
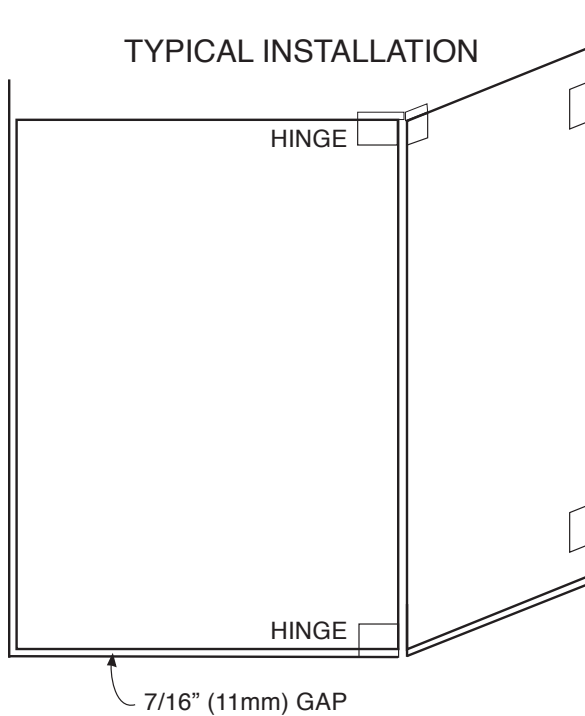


TO ENSURE ACCURACY



Important Information:

Do Not Fabricate Glass Prior to Qualifying for Design and Installation Criteria Shown on Page 4G-56.

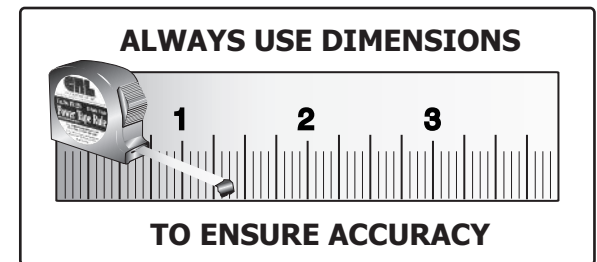


PRIMA

Hinge with U-Clamp

CAT. No. PPH0735L & PPH0735R

Edge Mount Alternate Method



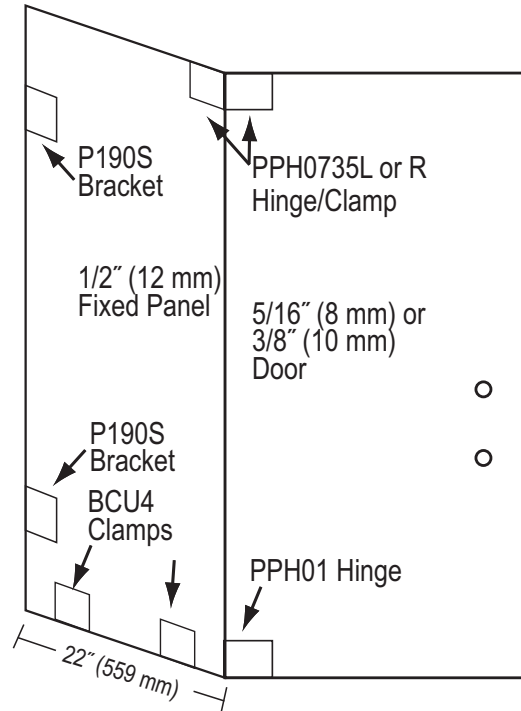


Prima Series Top or Bottom Mount Pivot Hinge With Attached U-Clamp For 5/16" or 3/8" (8 or 10 mm) Thick Tempered Door Glass

Design and Installation Criteria:

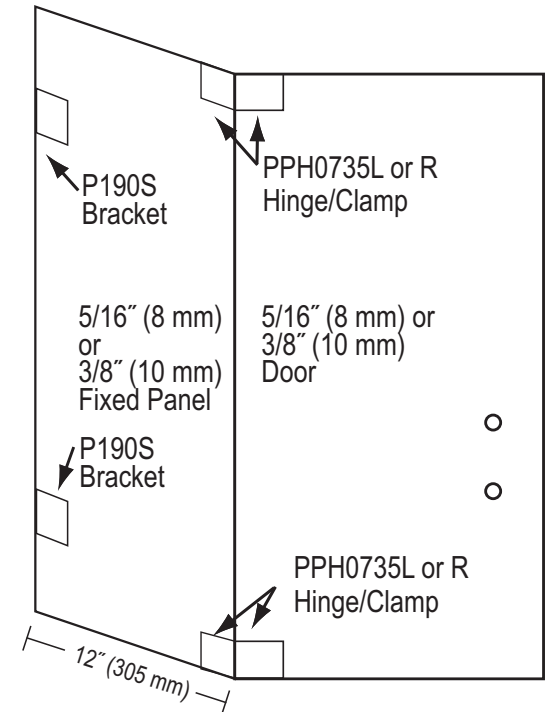
- Door Glass May be 5/16" or 3/8" (8 or 10 mm) Thick
- Fixed Panel May be 5/16", 3/8", or 1/2" (8,10, or 12 mm) Thick
- 5/16" or 3/8" (8 or 10 mm) Glass Fixed Panel From Which Door is Hinged/Clamped Can't Exceed 12" (305 mm) in Width, or 84" (2.13 m) in Height
- 1/2" (12 mm) Glass Fixed Panel From Which Door is Hinged/Clamped Can't Exceed 22" (559 mm) in Width, or 84" (2.13 m) in Height
- Door Width Not to Exceed 31" (787 mm)
- Door Weight Not to Exceed 100 Pounds (45 kg)
- Must Use P190S Wall Mounting Brackets Fastened to the Vertical Wall on the Fixed Panel From Which the Door is Hinged/Clamped. A Minimum of Two Brackets Must be Used, Positioned no More Than 10" (254 mm) Down From the Top Edge of the Glass, and 10" (254 mm) Up From the Bottom Edge of the Glass.
- Only a Fixed Panel Fastened to a Vertical Wall Can be Used to Hinge/Clamp From. No Hinging/Clamping From a Fixed Panel Fastened to Another Fixed Panel.
- Fixed Panel From Which the Door Hinges/Clamps Must Have Valid Bottom Support (May be Other Clamps or U-Channel, Does Not Have to be P190S Wall Bracket Referred to in Drawings). Panels Up to 12" Wide (305 mm) Require Only One Clamp (Clamp Attached to PPH0735 is Adequate). Panels Over 12" Wide (305 mm), and Up to 22" (559 mm) Require Two Clamps at Bottom of Fixed Panel.

TYPICAL MOUNTING EXAMPLES



Typical Installation

Showing 22" Wide (559 mm)
1/2" (12 mm) Thick Fixed Panel
PPH01 Hinge Used at Bottom of Door



Typical Installation

Showing 12" Wide (305 mm)
5/16" or 3/8" (8 or 10 mm) Thick Fixed Panel
PPH0735L or R Used at Top and Bottom of Door

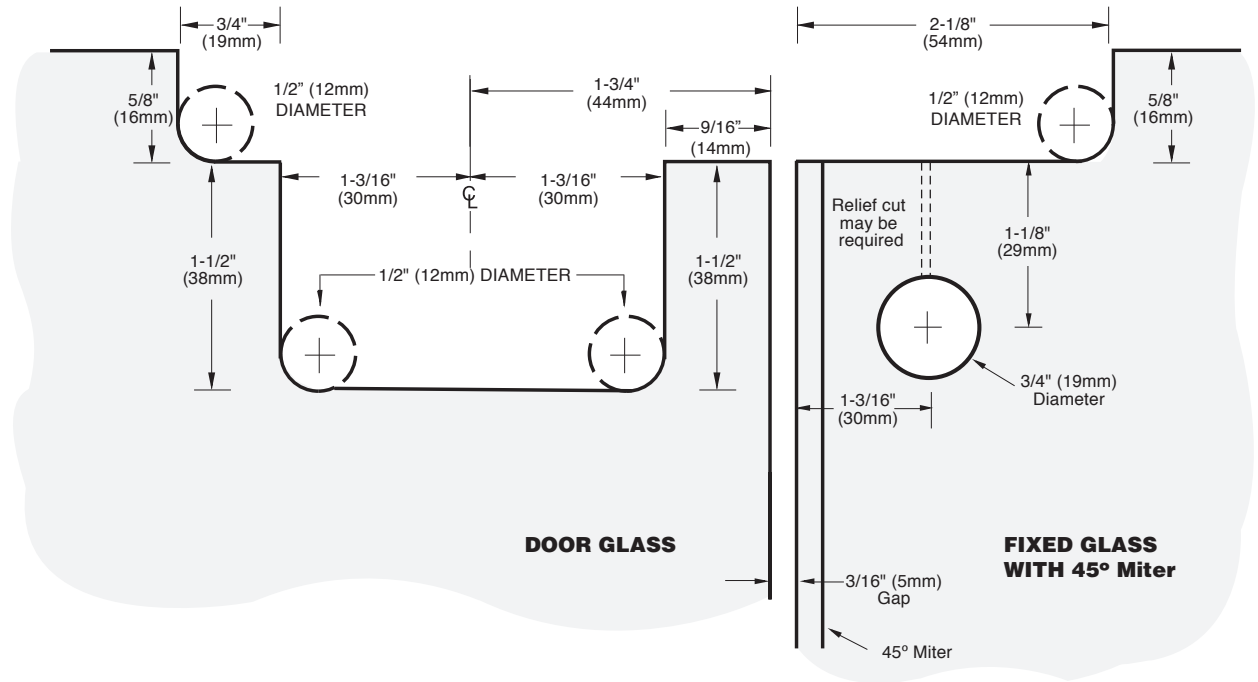
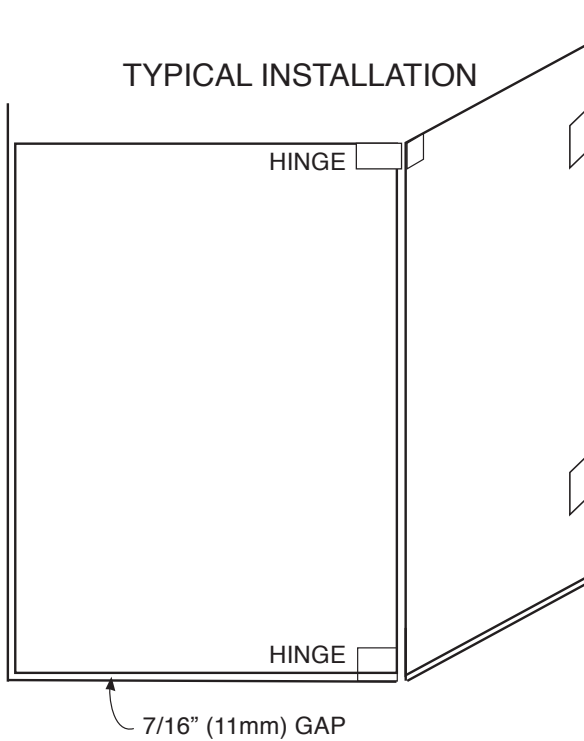
PRIMA
Hinge with U-Clamp
CAT. No. PPH0735L/PPH0735R



C.R. LAURENCE CO., INC.
PROFESSIONAL QUALITY

Important Information:

Do Not Fabricate Glass Prior to Qualifying for Design and Installation Criteria Shown on Page 4G-56.

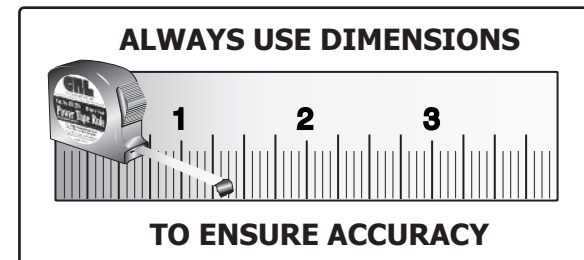


PRIMA

Hinge with U-Clamp

Cat. No. PPH0735L & PPH0735R

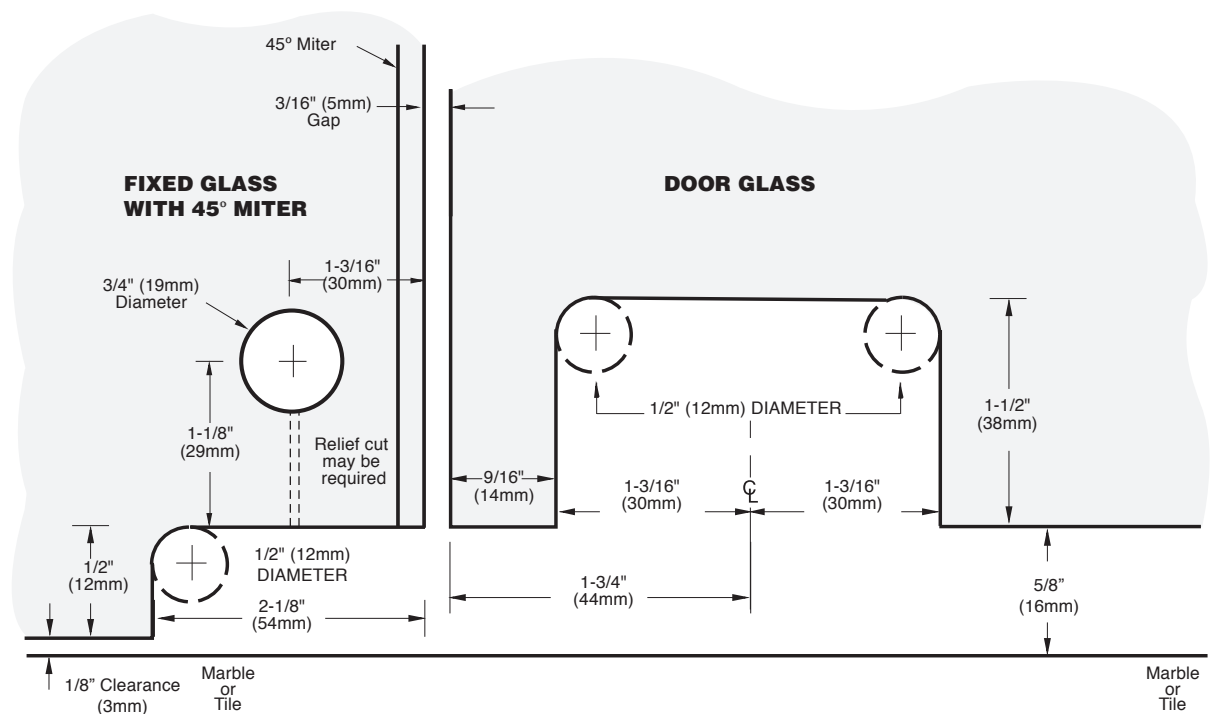
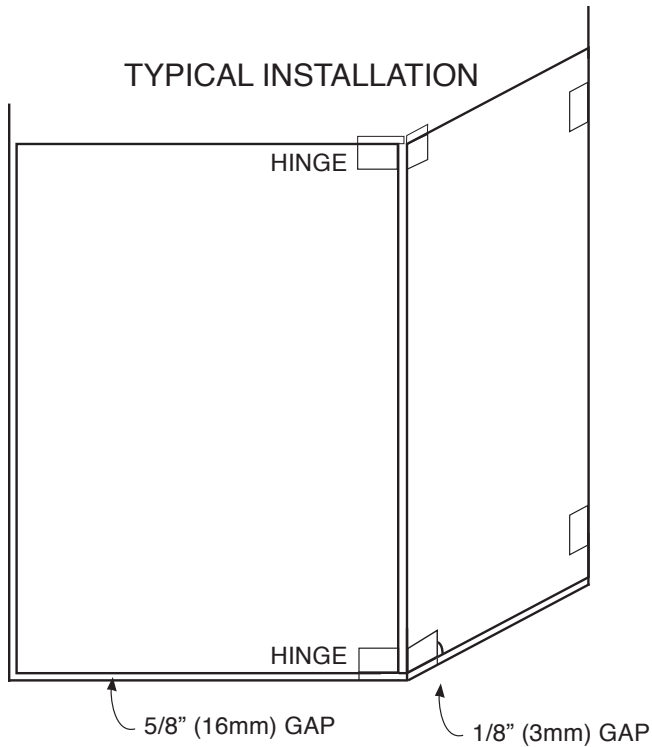
Top Flush Mount Method





Important Information:

Do Not Fabricate Glass Prior to Qualifying for Design and Installation Criteria Shown on Page 4G-56.



PRIMA

Hinge with U-Clamp

Cat. No. PPH0735L & PPH0735R

Bottom Mount Method

