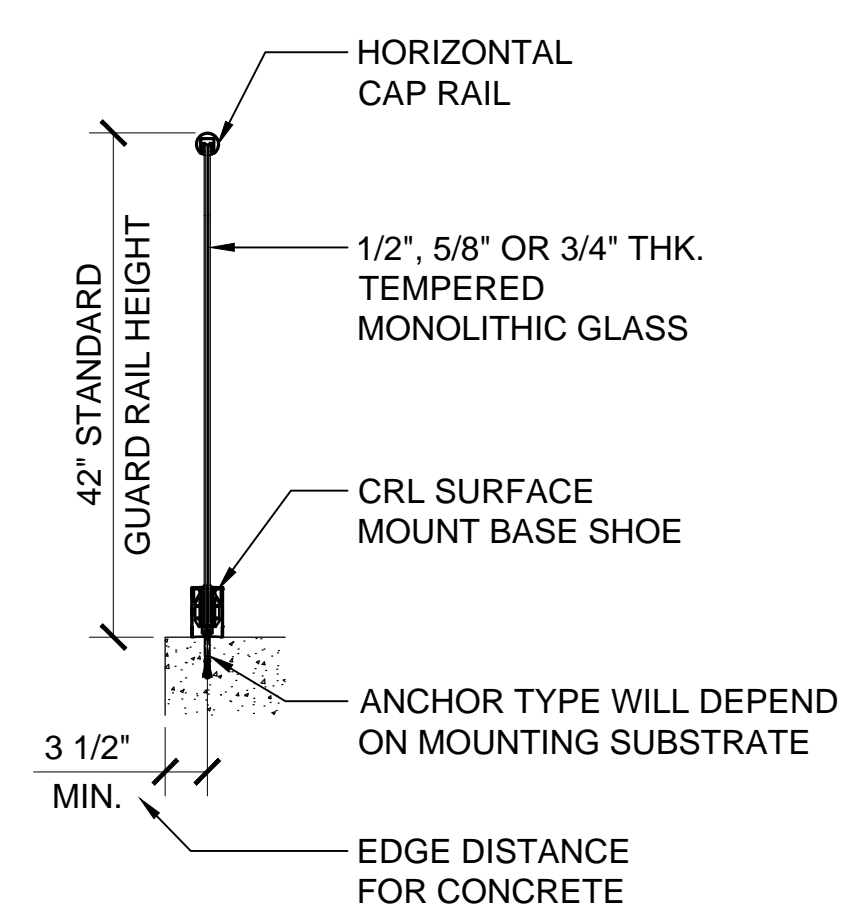
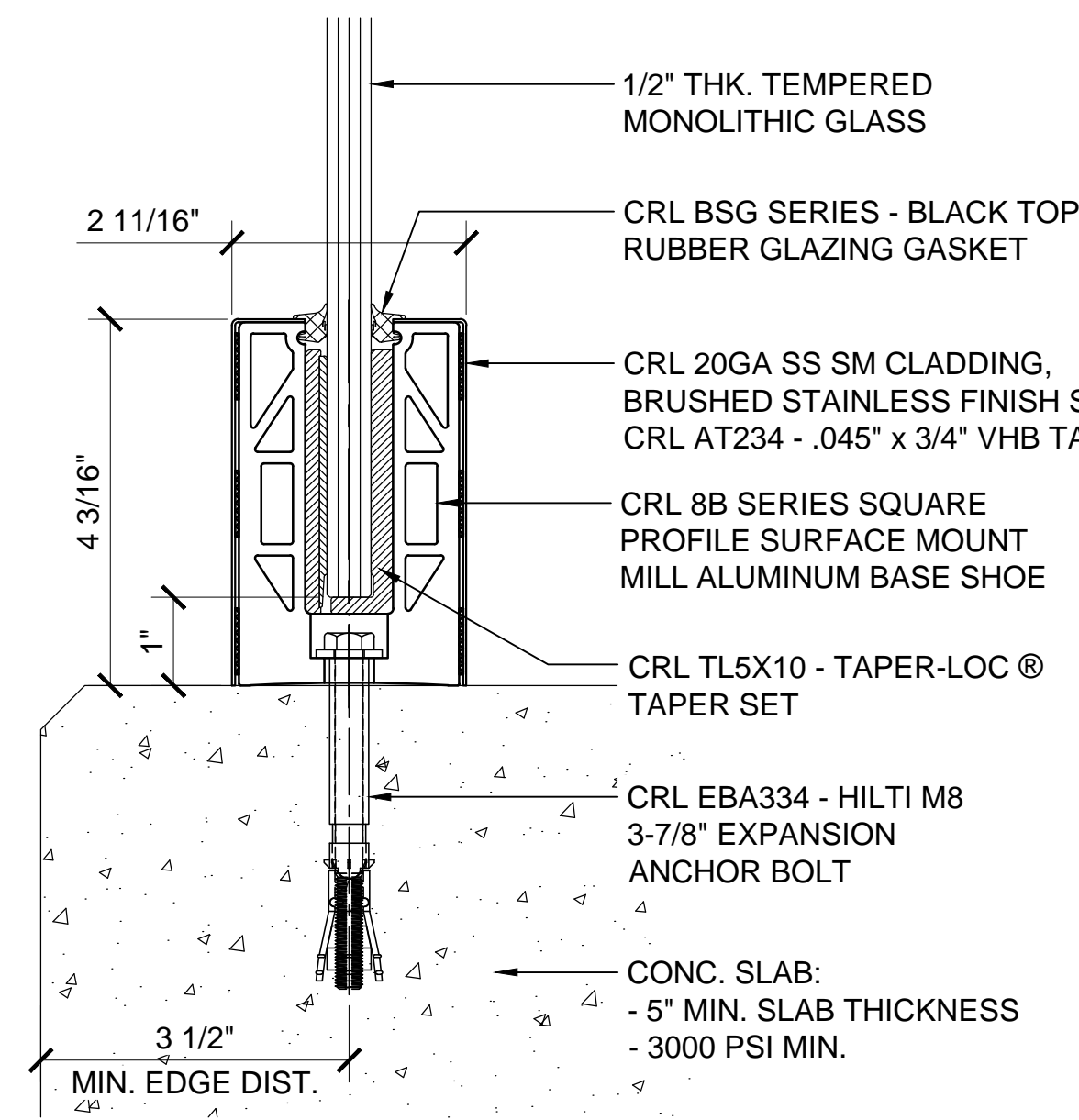


TYPICAL GRS GLASS RAILING ELEVATION VIEW - SURFACE MOUNT



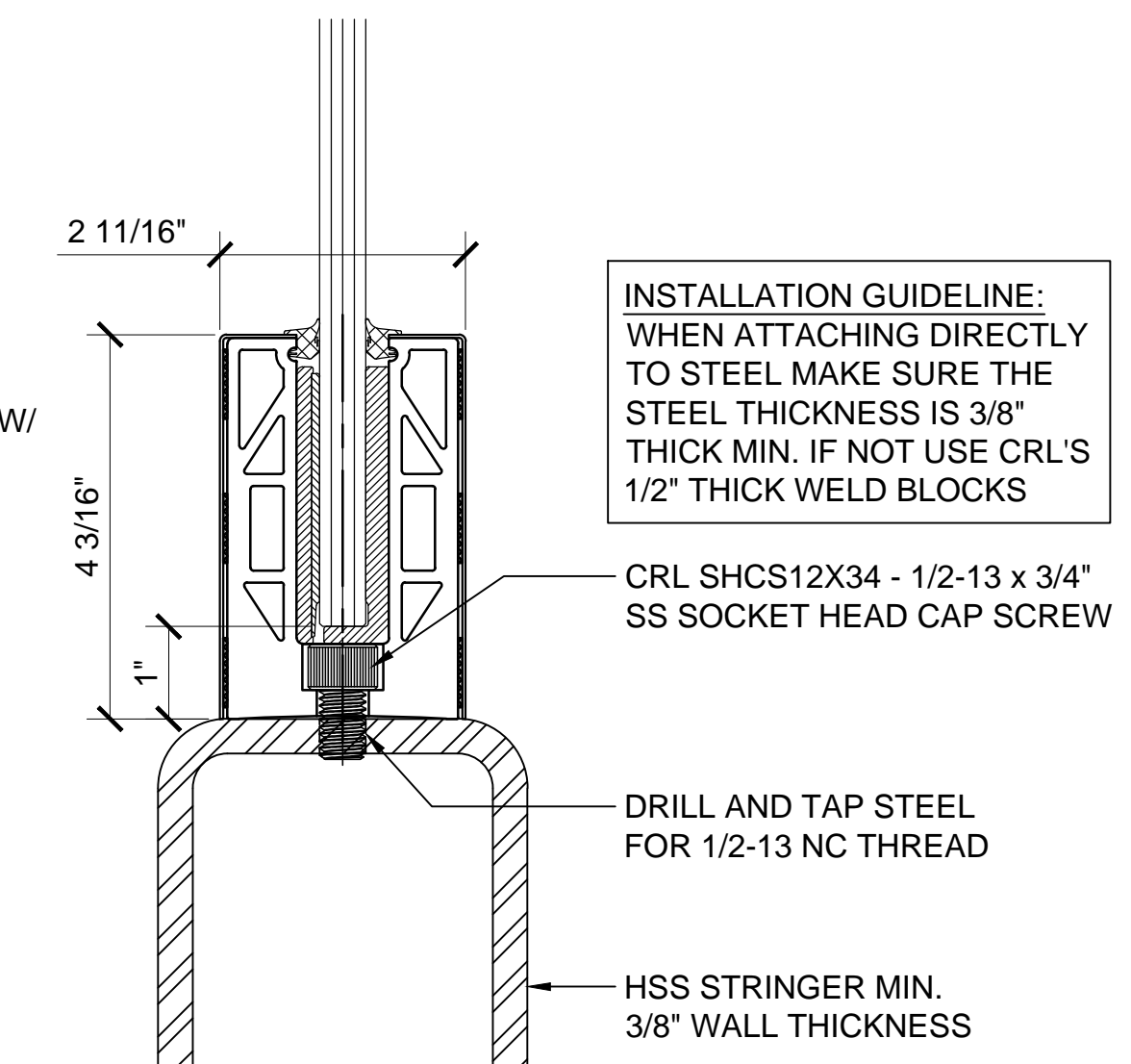
TYPICAL GRS GLASS RAILING ELEVATION VIEW - FASCIA MOUNT

TYPICAL BASE SHOE ATTACHMENTS USING THE 8B SERIES BASE SHOE WITH TAPER-LOC® SYSTEM



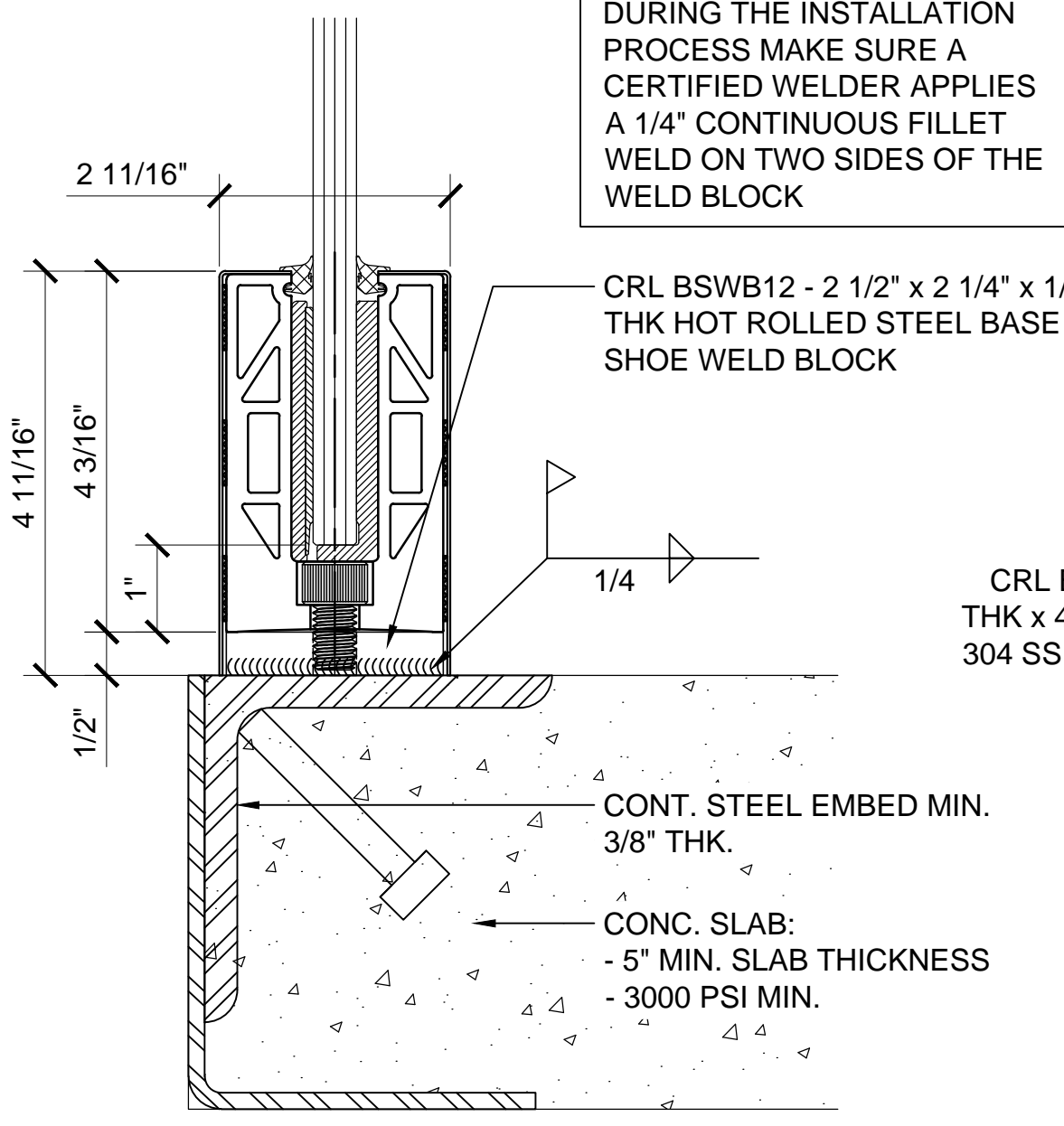
SURFACE MOUNT DETAIL CONCRETE SUBSTRATE

ANCHOR SPACING WILL DEPEND ON MOUNTING SUBSTRATE AND REGION OF PROJECT



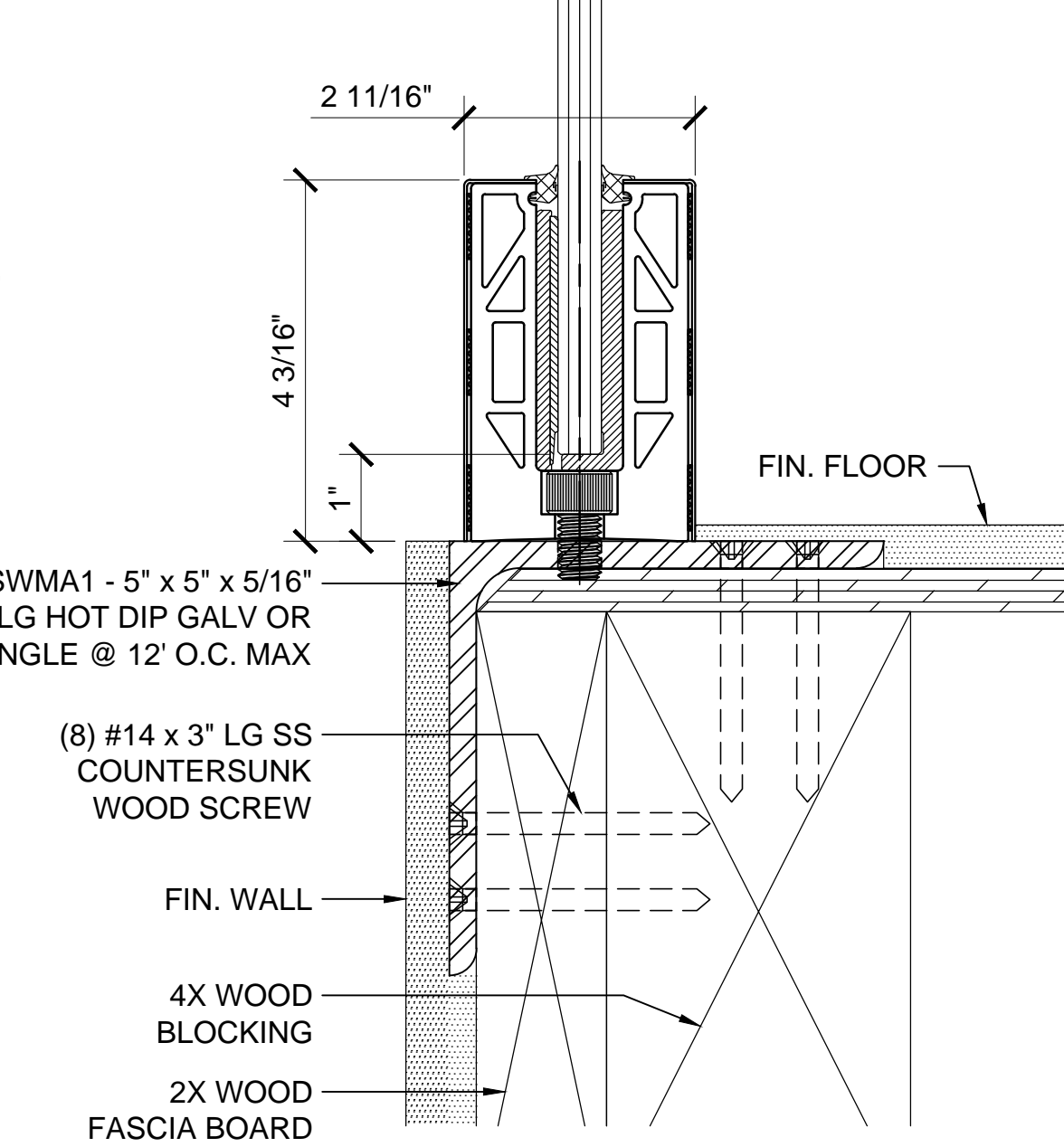
SURFACE MOUNT DETAIL STEEL SUBSTRATE

12\"/>



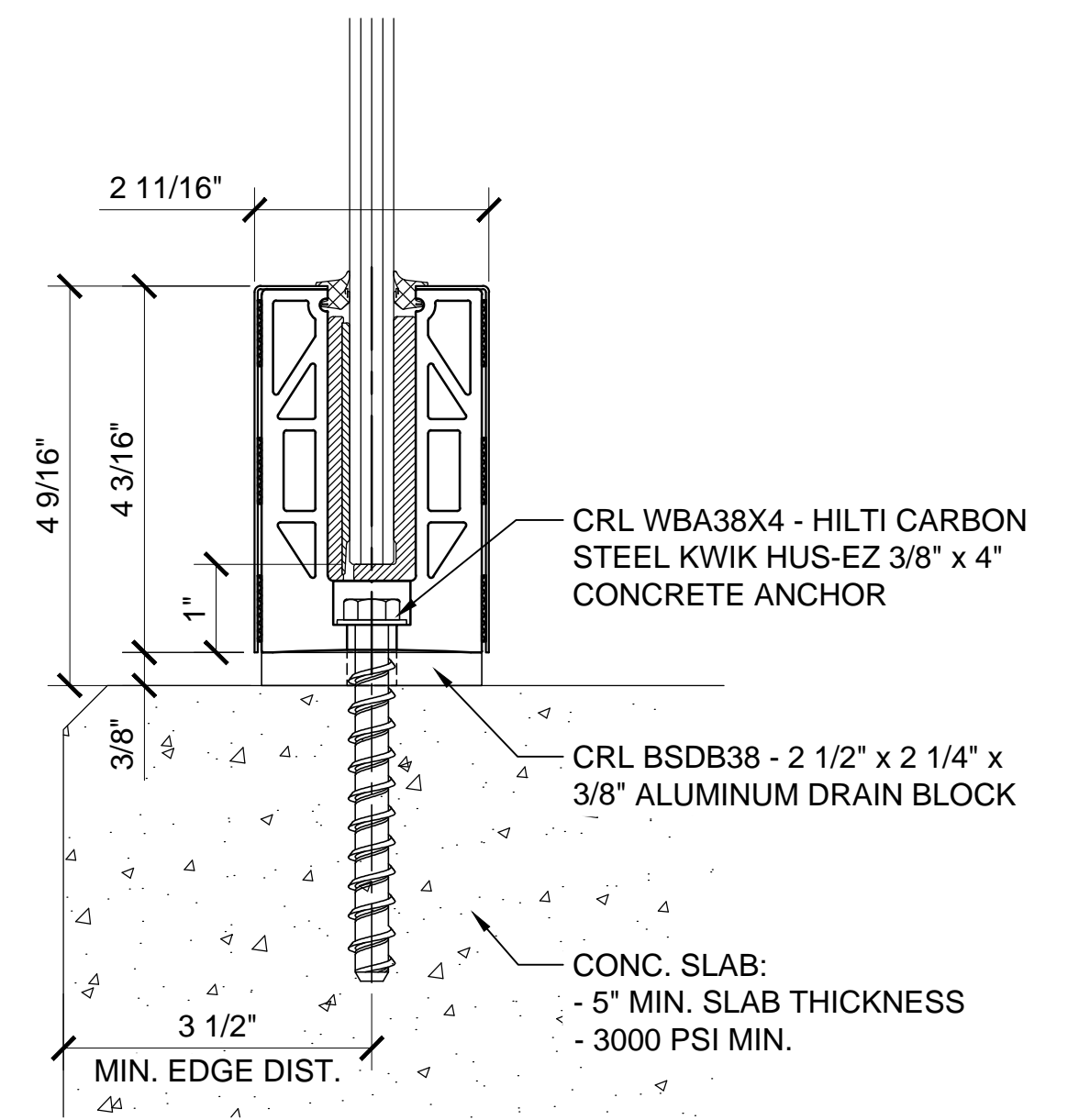
SURFACE MOUNT DETAIL STEEL SUBSTRATE W/ WELD BLOCK

12\"/>



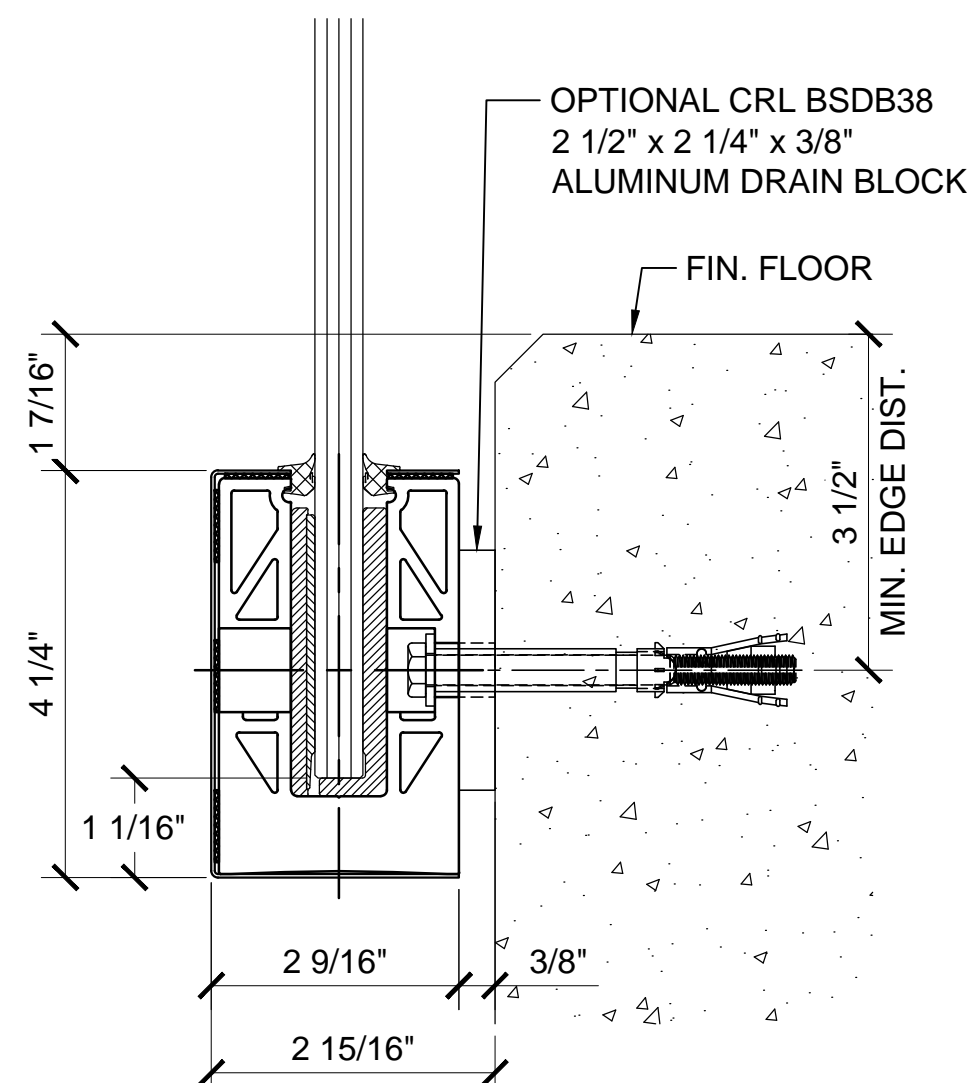
SURFACE MOUNT DETAIL WOOD SUBSTRATE

12\"/>



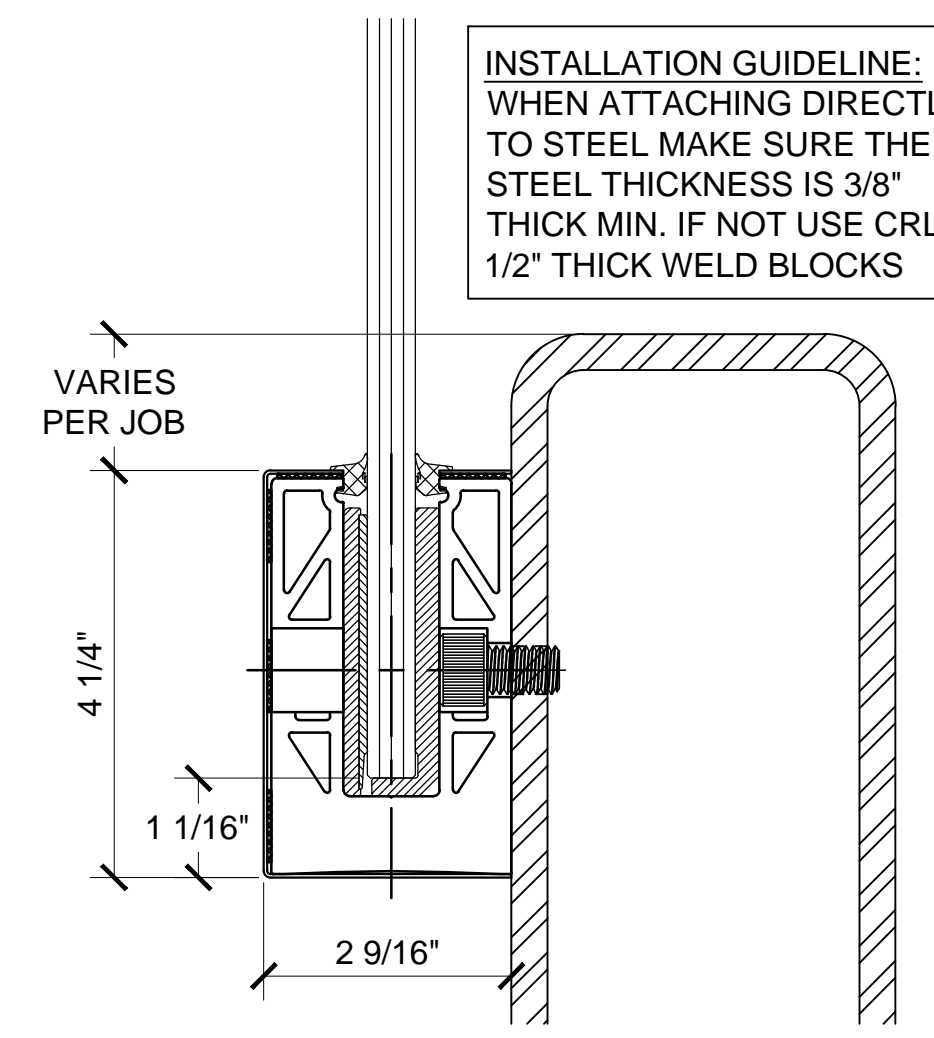
SURFACE MOUNT DETAIL CONCRETE SUBSTRATE W/ DRAIN BLOCK

ANCHOR SPACING WILL DEPEND ON MOUNTING SUBSTRATE AND REGION OF PROJECT



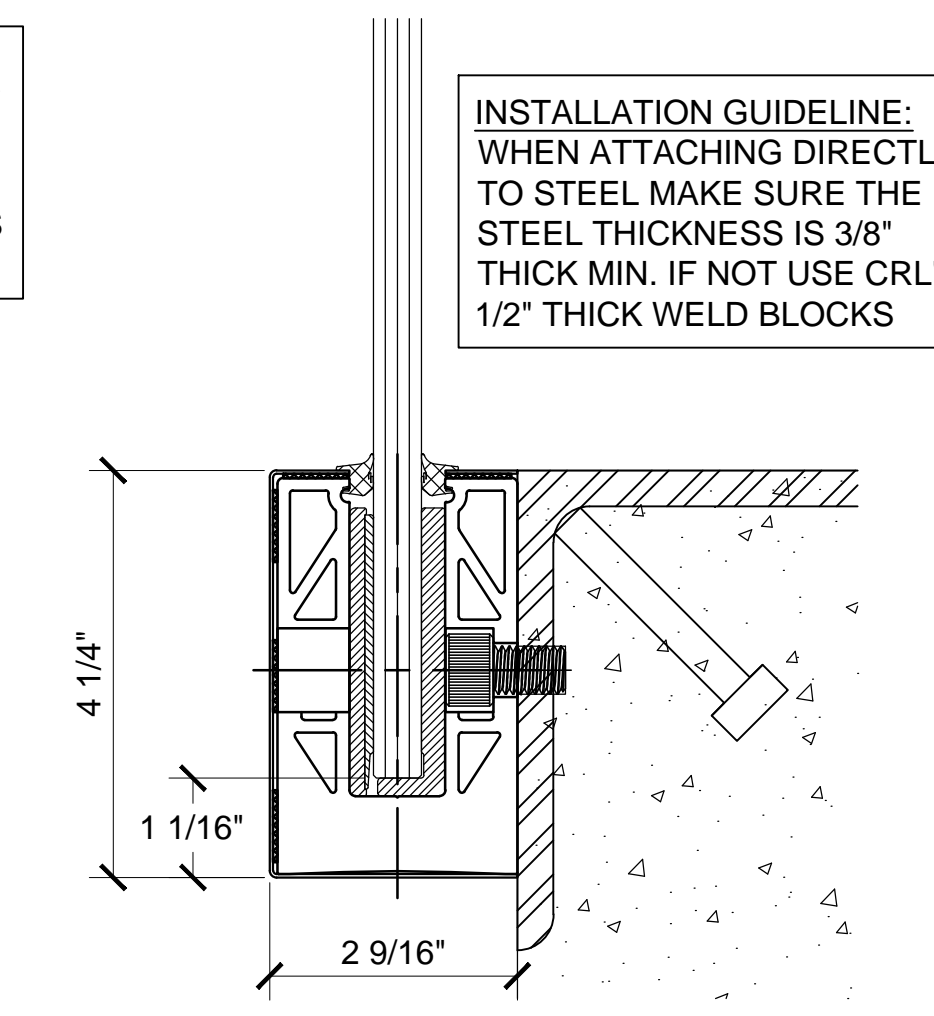
FASCIA MOUNT DETAIL CONCRETE SUBSTRATE

ANCHOR SPACING WILL DEPEND ON MOUNTING SUBSTRATE AND REGION OF PROJECT



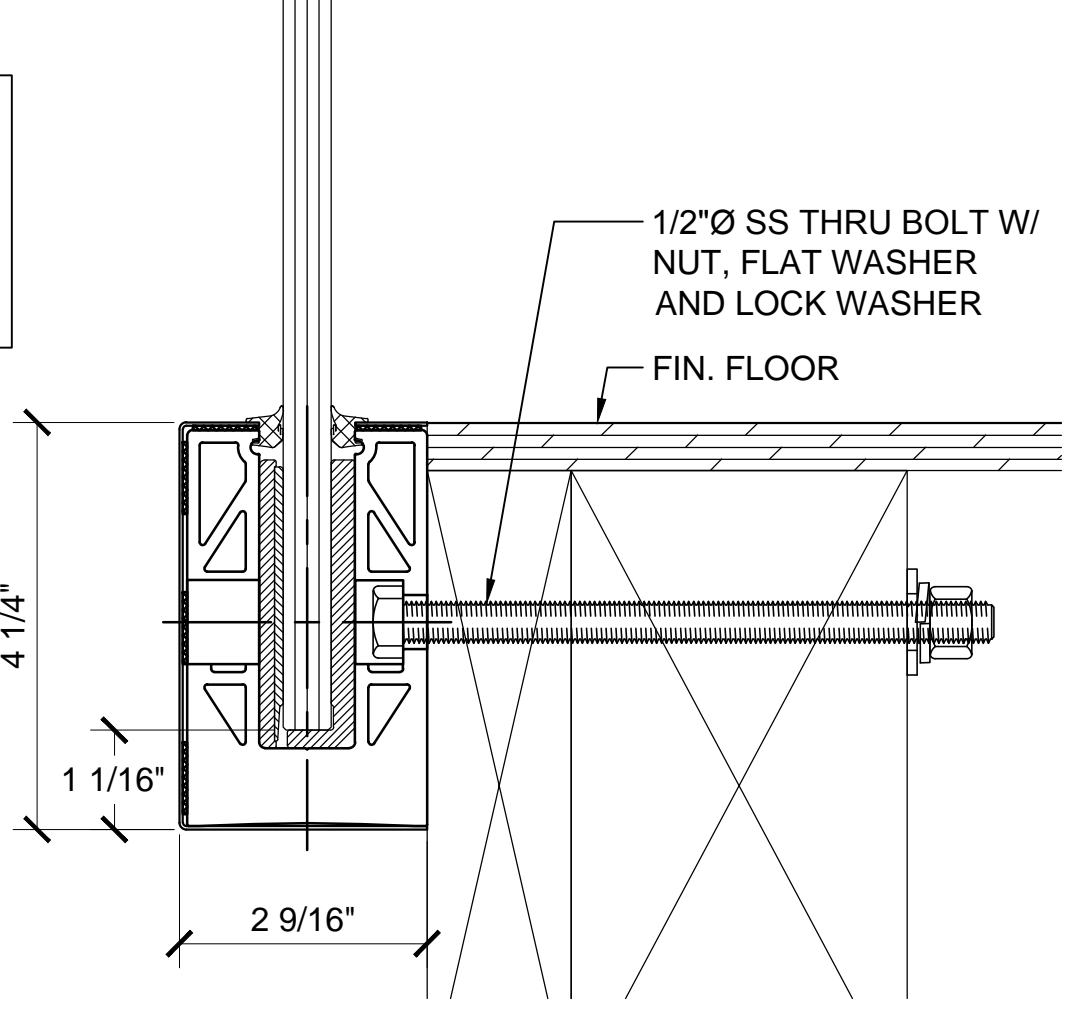
FASCIA MOUNT DETAIL STEEL SUBSTRATE

12\"/>



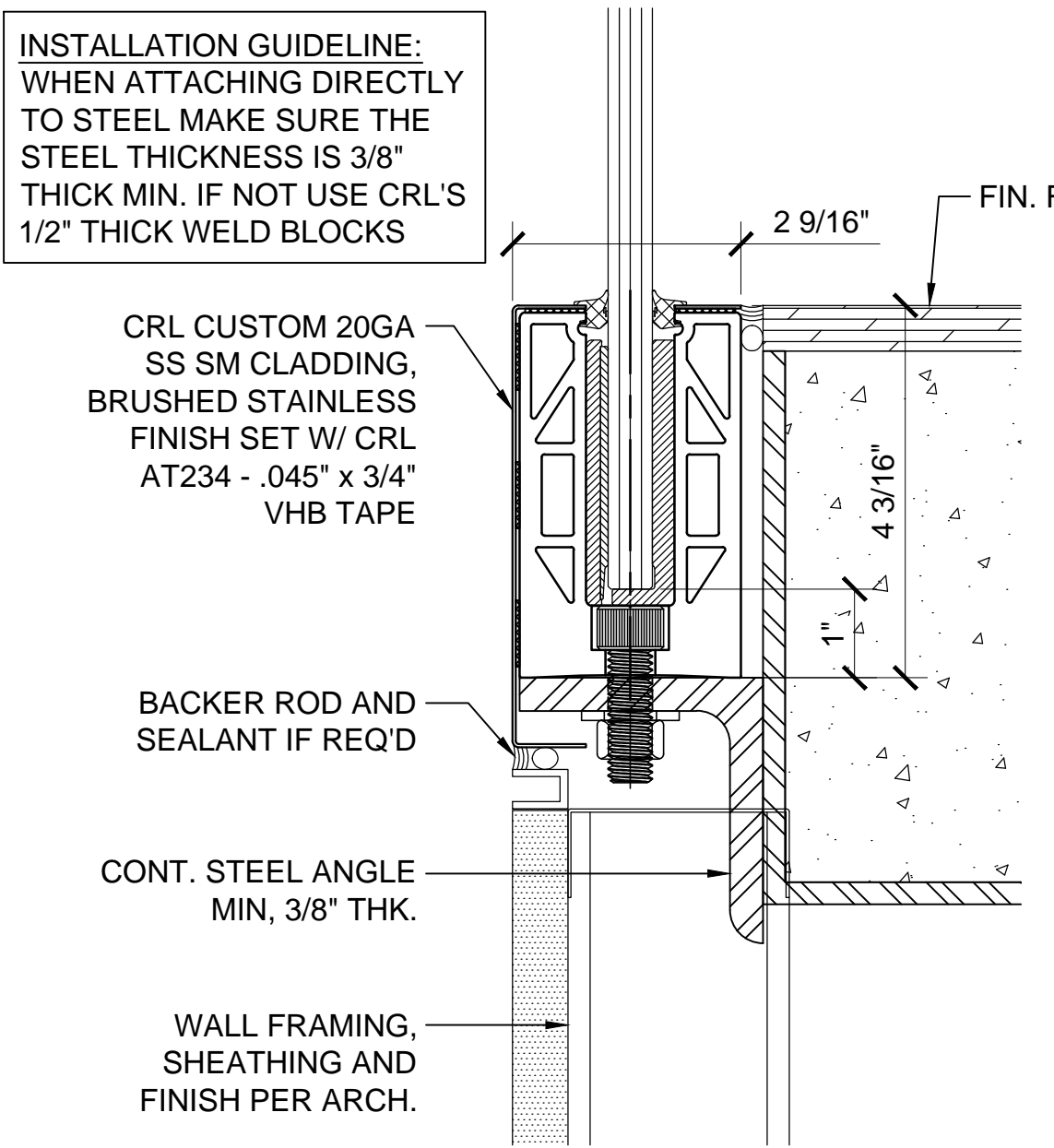
FASCIA MOUNT DETAIL STEEL SUBSTRATE

12\"/>



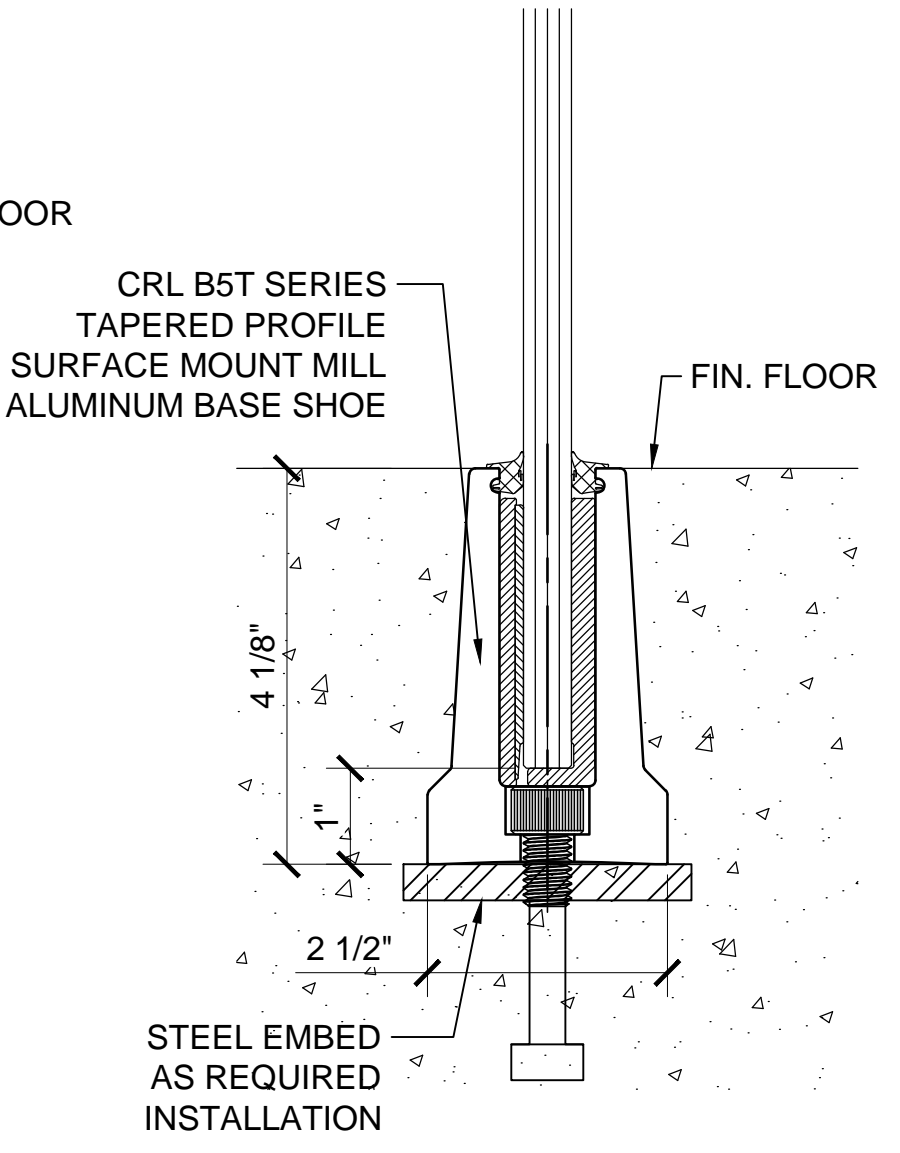
FASCIA MOUNT DETAIL WOOD SUBSTRATE

ANCHOR SPACING WILL DEPEND ON MOUNTING SUBSTRATE AND REGION OF PROJECT



SURFACE MOUNT DETAIL STEEL SUBSTRATE W/ CUSTOM CLADDING

12\"/>

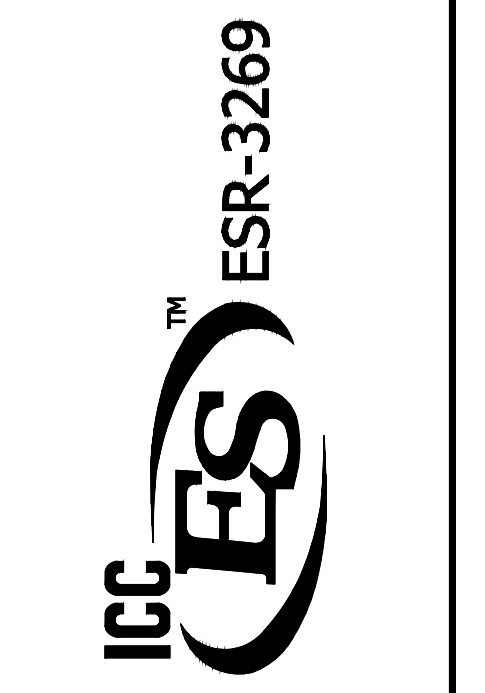


EMBED MOUNT CONCRETE SUBSTRATE

ANCHOR SPACING WILL DEPEND ON MOUNTING SUBSTRATE AND REGION OF PROJECT

Revisions By:

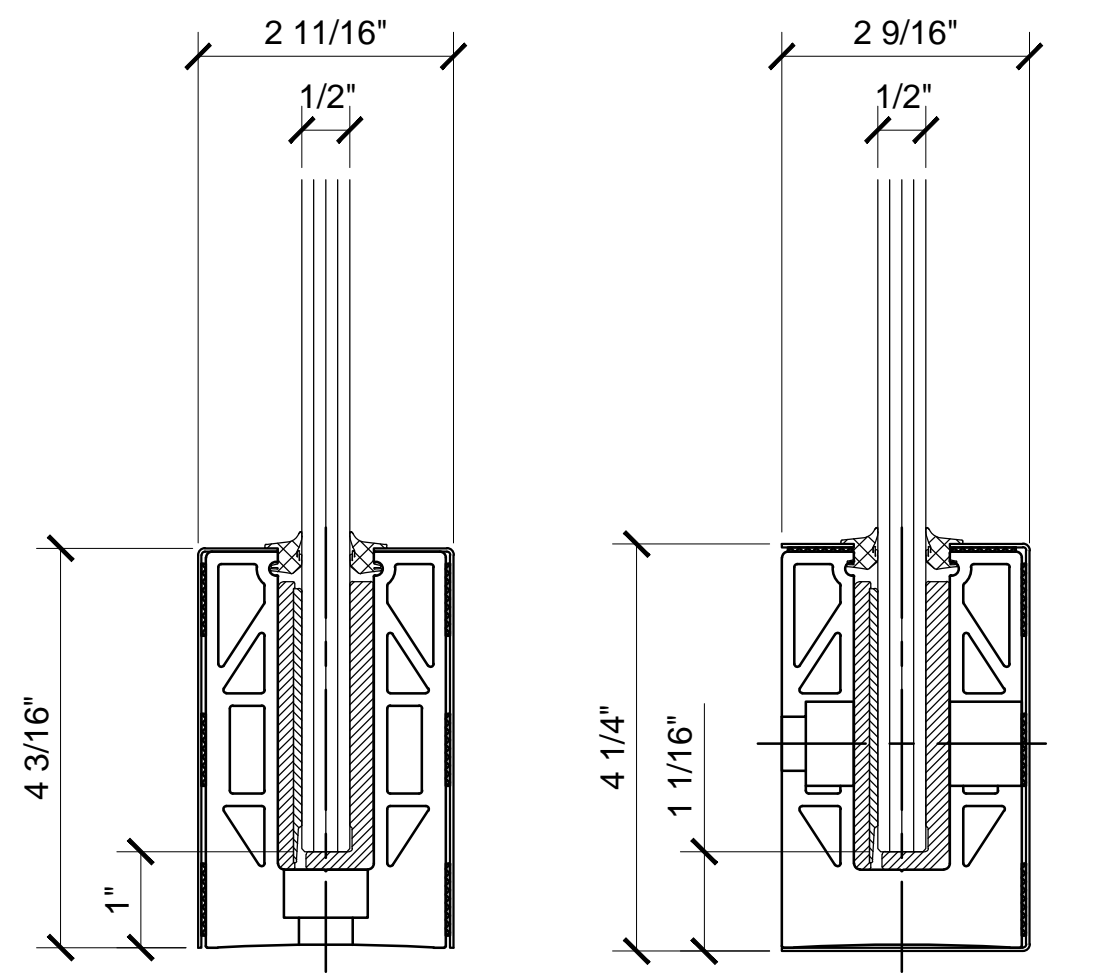
| | | |
|---|----------|----|
| 5 | - | - |
| 4 | - | - |
| 3 | - | - |
| 2 | - | - |
| 1 | 02/08/16 | JG |



GRS
GLASS RAILING SYSTEM
FOR TEMPERED MONOLITHIC
1/2", 5/8" & 3/4" THK. GLASS

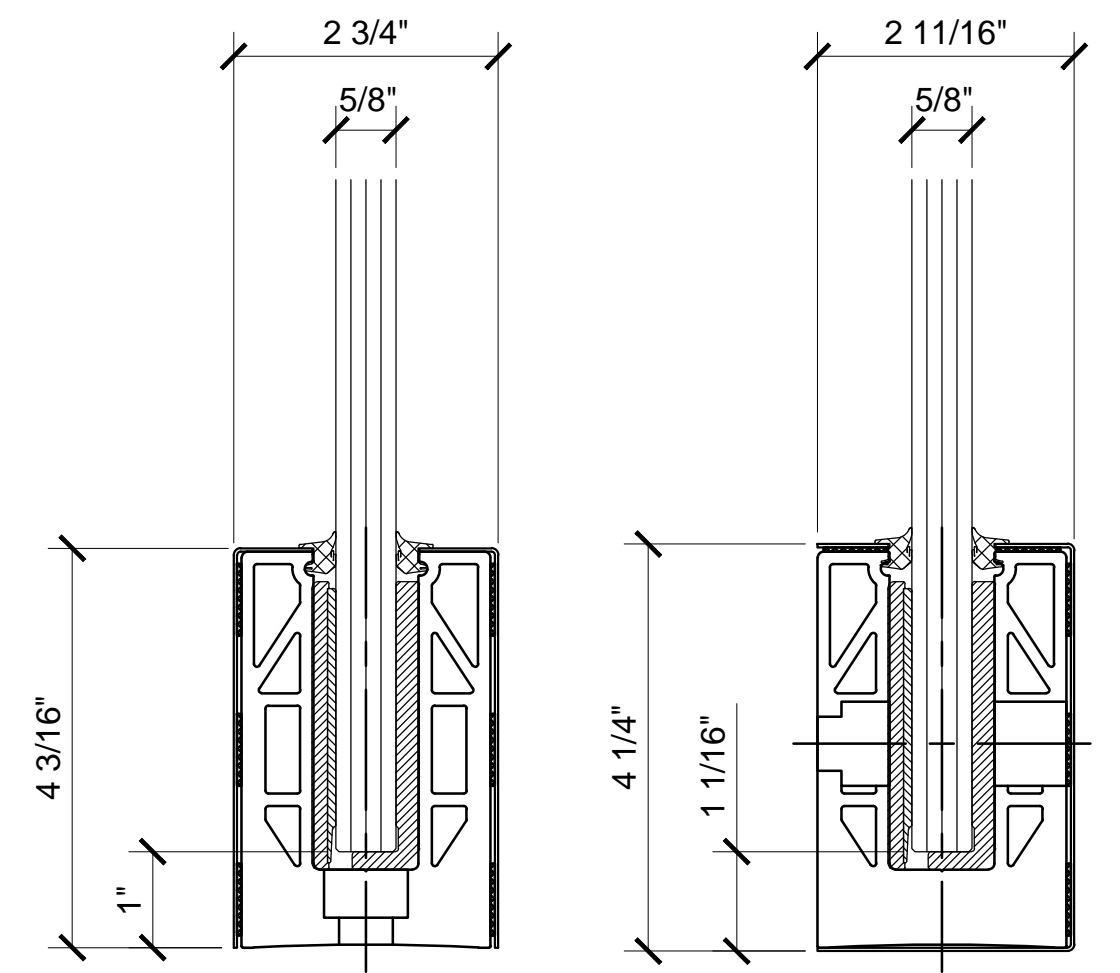
ELEVATIONS AND DETAILS
SURFACE MOUNT AND
FASCIA MOUNT OPTIONS

Drawn By: JG
Date: 12/15/2015
Scale: AS NOTED
File Name: CRL GRS Monolithic Glass Railing System.dwg
Sheet



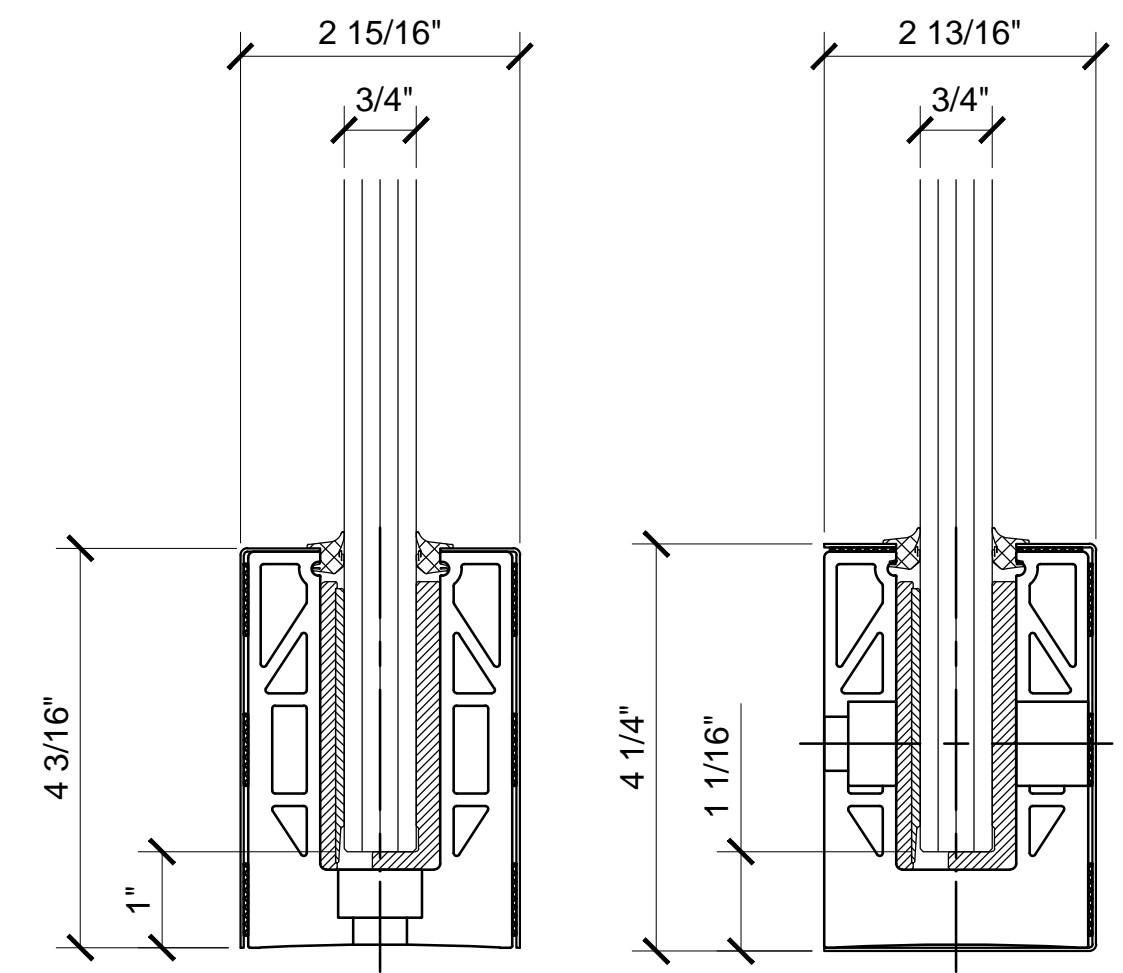
SURFACE MOUNT FOR 1/2" (12mm) GLASS
FASCIA MOUNT FOR 1/2" (12mm) GLASS

8B SERIES BASE SHOE



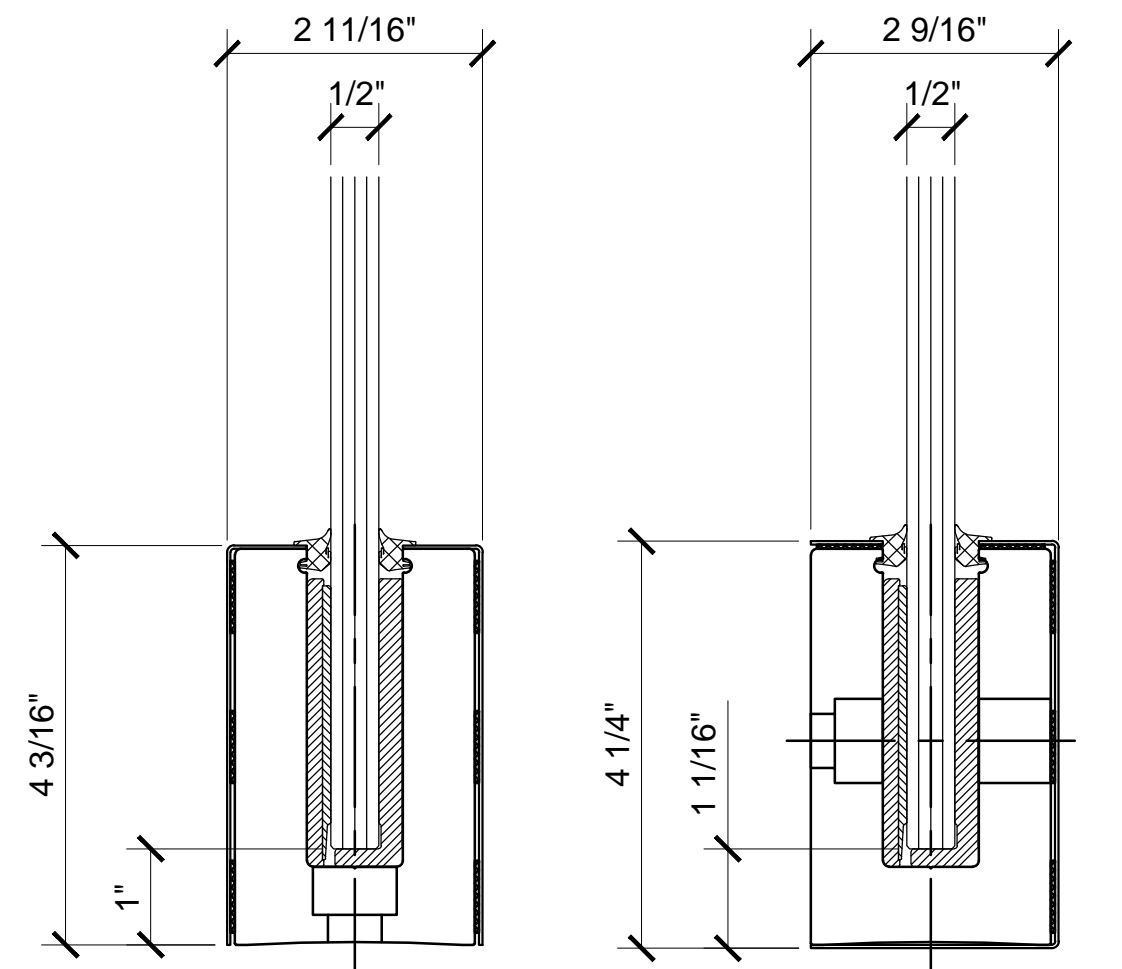
SURFACE MOUNT FOR 5/8" (15mm) GLASS
FASCIA MOUNT FOR 5/8" (15mm) GLASS

8B58 SERIES BASE SHOE



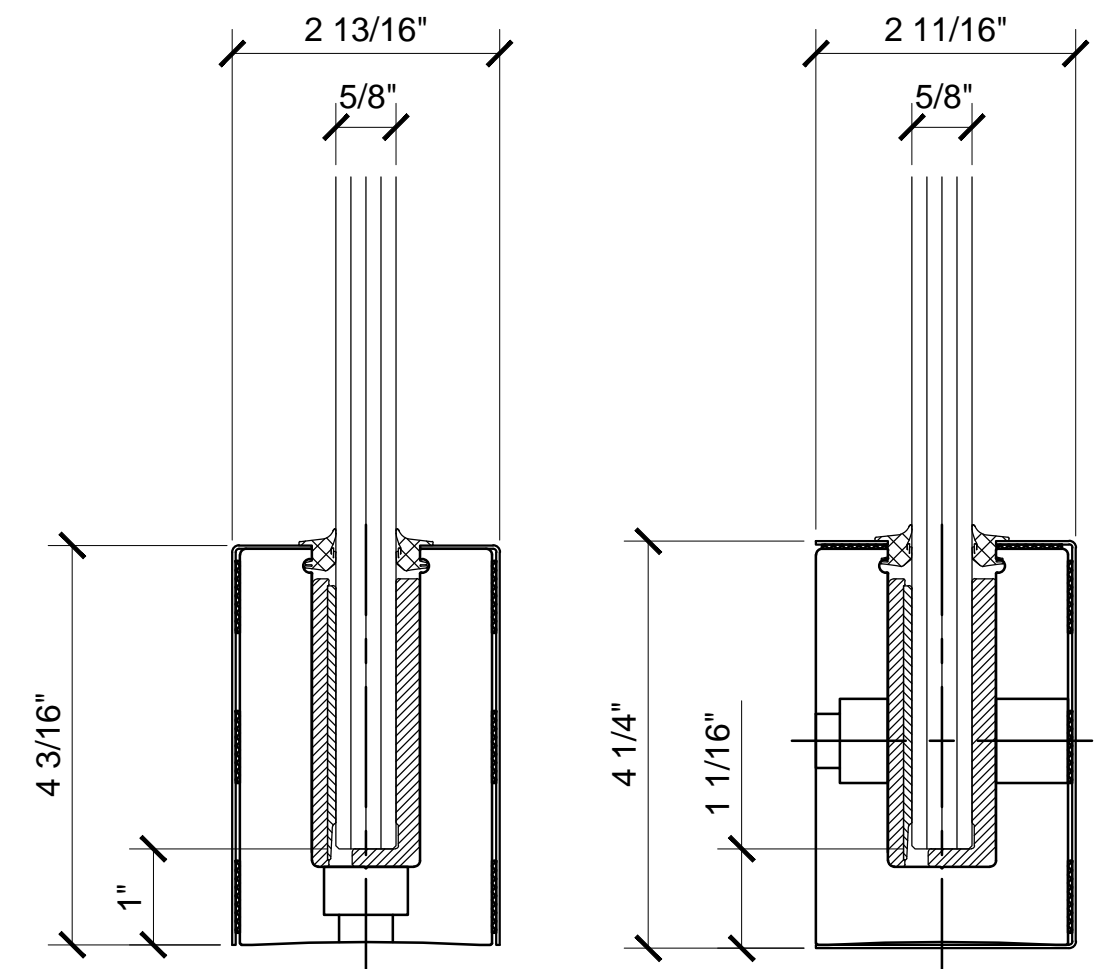
SURFACE MOUNT FOR 3/4" (19mm) GLASS
FASCIA MOUNT FOR 3/4" (19mm) GLASS

8B34 SERIES BASE SHOE



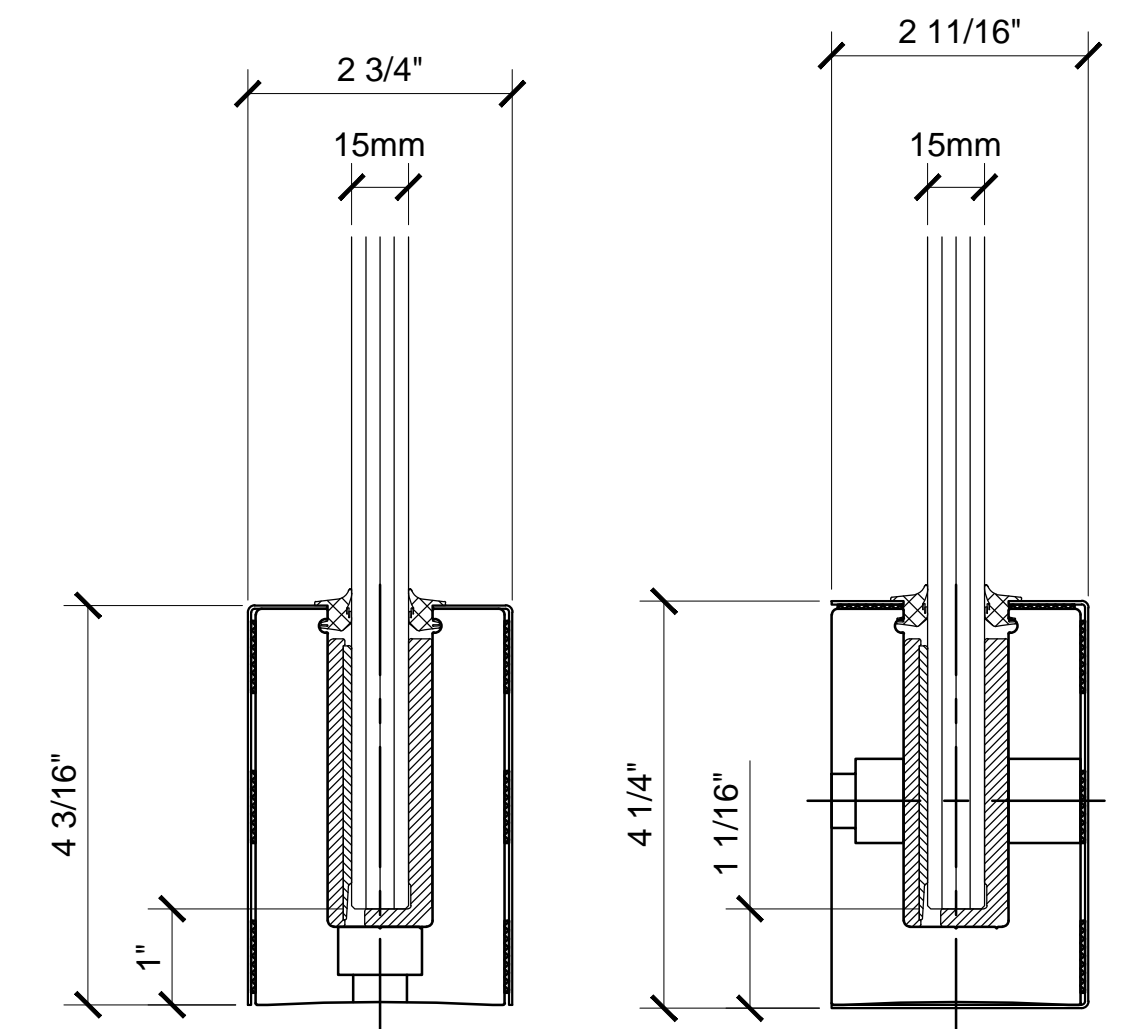
SURFACE MOUNT FOR 1/2" (12mm) GLASS
FASCIA MOUNT FOR 1/2" (12mm) GLASS

B5S SERIES BASE SHOE



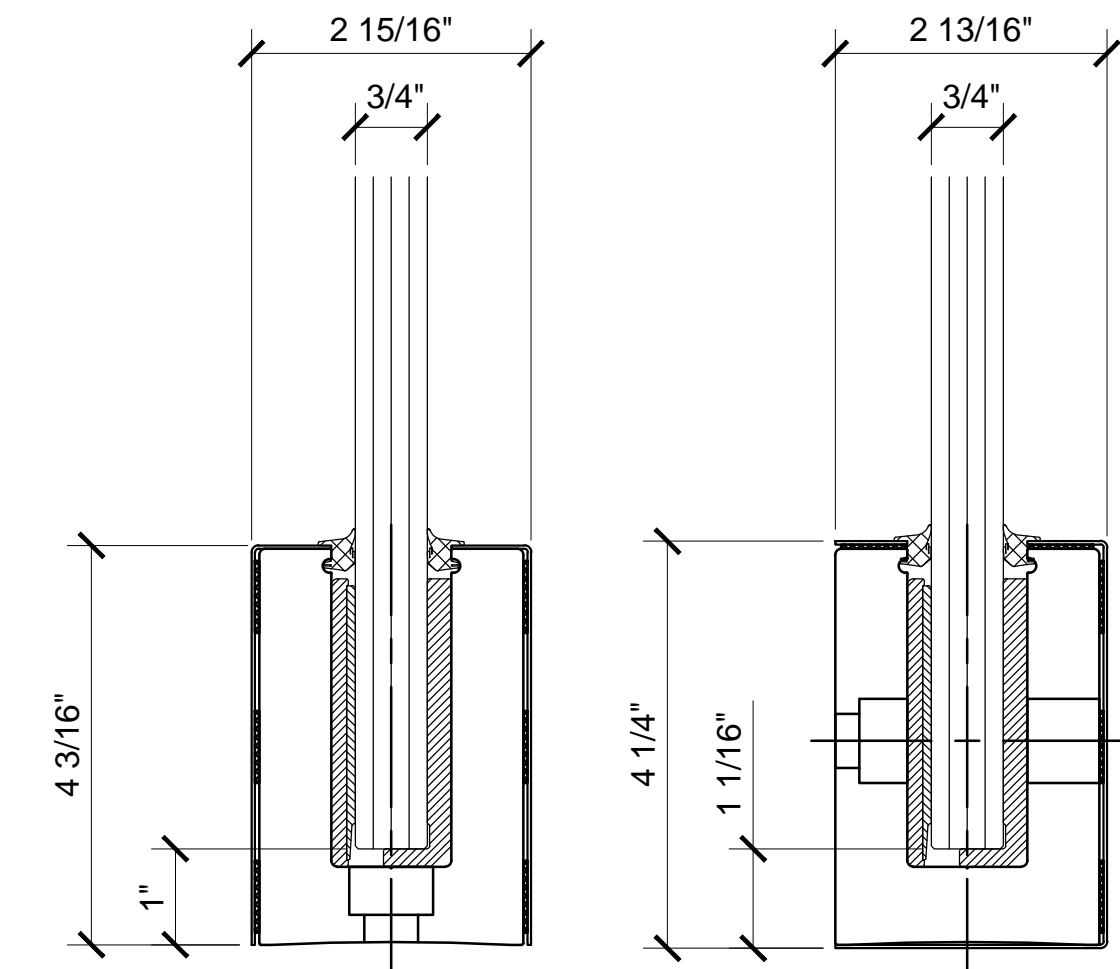
SURFACE MOUNT FOR 5/8" GLASS
FASCIA MOUNT FOR 5/8" GLASS

B6N SERIES BASE SHOE



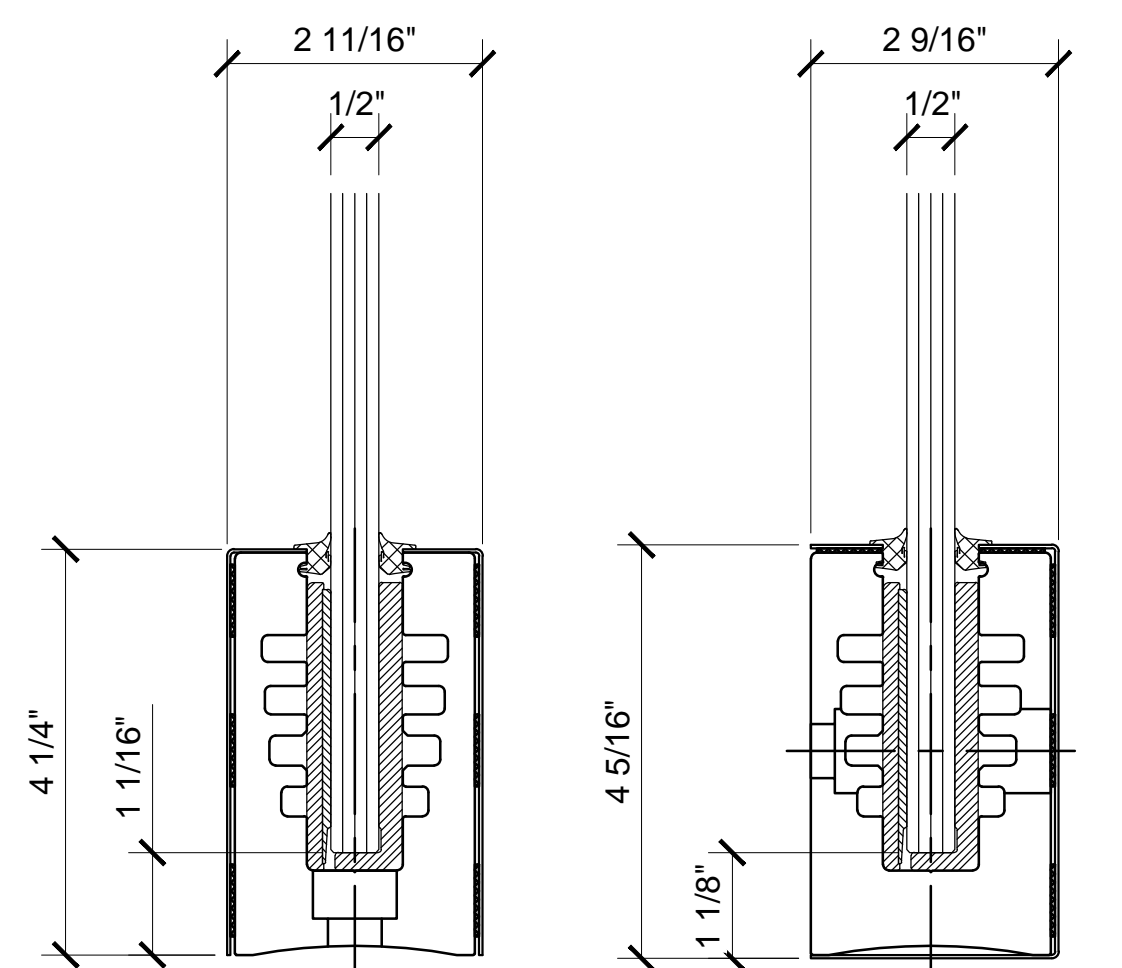
SURFACE MOUNT FOR 15mm GLASS
FASCIA MOUNT FOR 15mm GLASS

B6S SERIES BASE SHOE



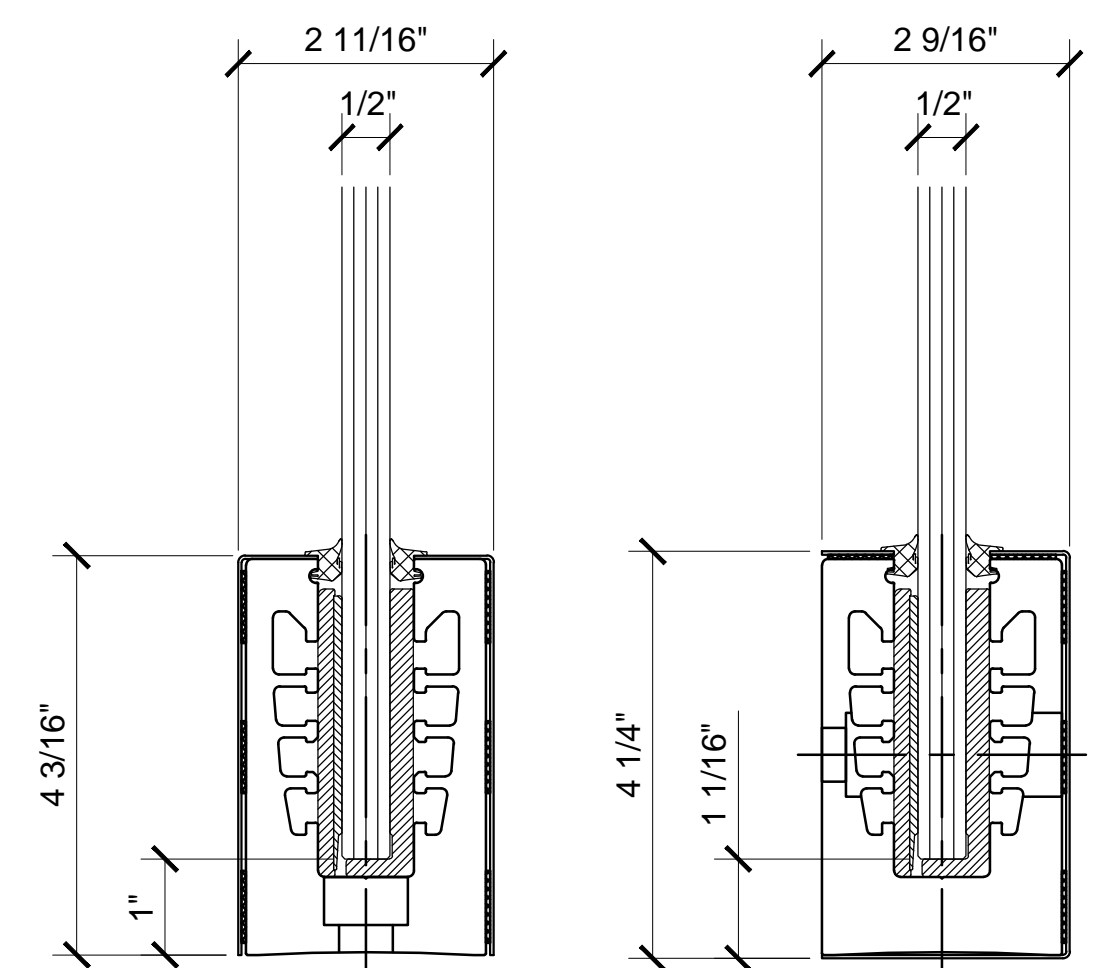
SURFACE MOUNT FOR 3/4" (19mm) GLASS
FASCIA MOUNT FOR 3/4" (19mm) GLASS

B7S SERIES BASE SHOE



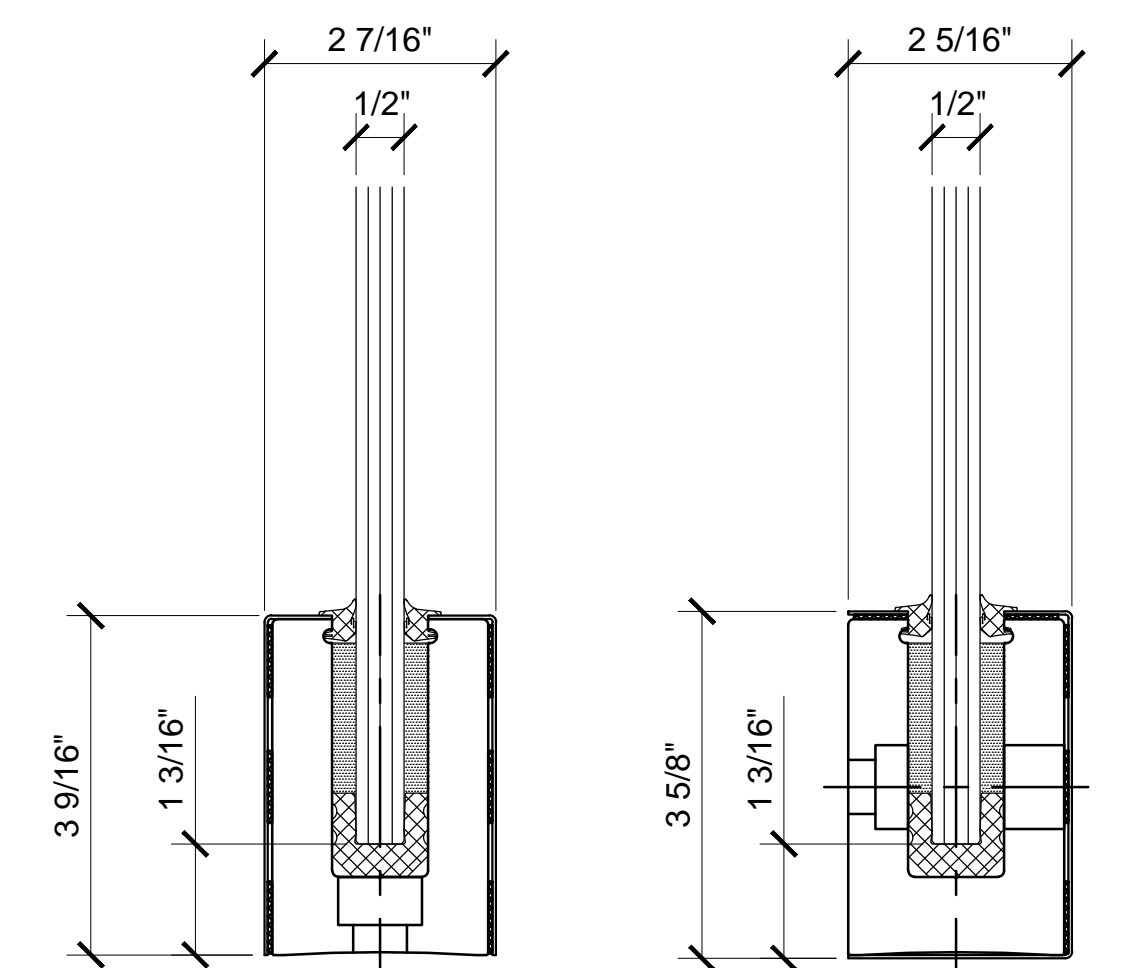
SURFACE MOUNT FOR 1/2" (12mm) GLASS
FASCIA MOUNT FOR 1/2" (12mm) GLASS

B5A SERIES BASE SHOE



SURFACE MOUNT FOR 1/2" (12mm) GLASS
FASCIA MOUNT FOR 1/2" (12mm) GLASS

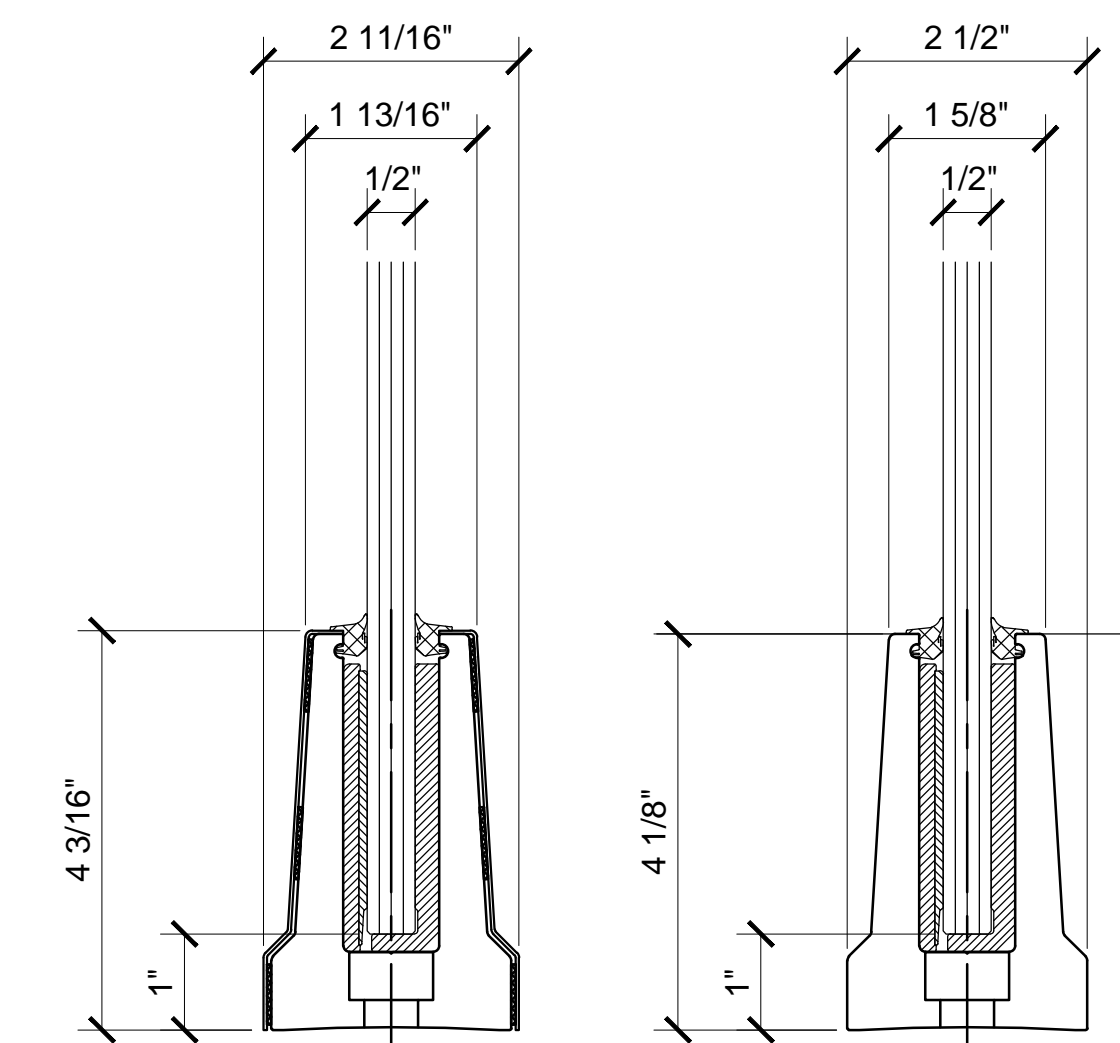
B5G SERIES BASE SHOE



SURFACE MOUNT FOR 1/2" (12mm) GLASS
FASCIA MOUNT FOR 1/2" (12mm) GLASS

B5L SERIES BASE SHOE

*NOTE: B5L BASE SHOE CANNOT BE USED W/ TAPER-LOC ®.



SURFACE MOUNT FOR 1/2" (12mm) GLASS
EMBEDDED INTO CONCRETE FOR 1/2" (12mm) GLASS

B5T SERIES BASE SHOE

| | | |
|---------------|----------|----|
| Revisions By: | | |
| 5 | - | - |
| 4 | - | - |
| 3 | - | - |
| 2 | - | - |
| 1 | 02/08/16 | JG |

CRL
ALUMINUM
C.R. LAURENCE CO. ARCHITECTURAL PRODUCTS
2503 E. Vernon Avenue, Los Angeles, CA 90058-1897
PH: (800)-421-6144 FX: (800)-587-7301 www.crlaurence.com

ICC
ES
ESR-3269

GRS
GLASS RAILING SYSTEM
FOR TEMPERED MONOLITHIC
1/2", 5/8" & 3/4" THK. GLASS

BASE SHOE OPTIONS
SURFACE & FASCIA MOUNT

Drawn By: JG
Date: 12/15/2015
Scale: AS NOTED
File Name:
CRL GRS Monolithic Glass Railing System.dwg

Revisions By:

| | | |
|---|----------|----|
| 5 | - | - |
| 4 | - | - |
| 3 | - | - |
| 2 | - | - |
| 1 | 02/08/16 | JG |

CCAL
US ALUMINUM
 C.R. LAURENCE CO. ARCHITECTURAL PRODUCTS
 2503 E. Vernon Avenue, Los Angeles, CA 90058-1897
 PH (800)-421-6144 FX (800)-587-7301 www.crlaurence.com

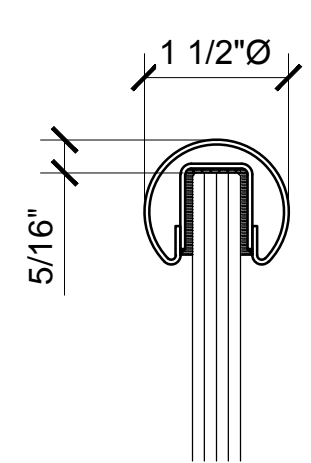
ICC
ES
 ESR-3269

GRS
 GLASS RAILING SYSTEM
 FOR TEMPERED MONOLITHIC
 1/2", 5/8" & 3/4" THK. GLASS

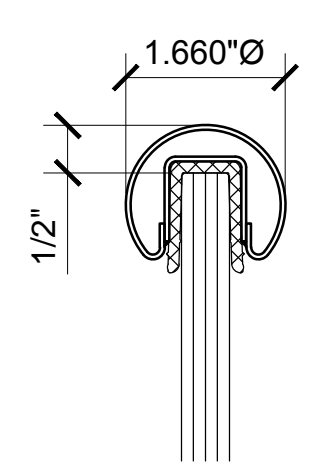
CAP RAIL OPTIONS

Drawn By: JG
 Date: 12/15/2015
 Scale: AS NOTED
 File Name:
 CRL GRS Monolithic Glass Railing System.dwg

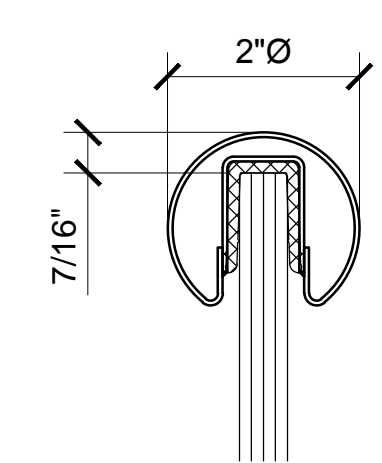
Sheet



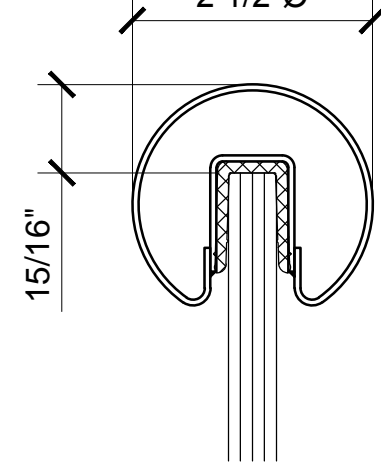
GR15 - 1 1/2"Ø
FOR 1/2" (12mm) GLASS



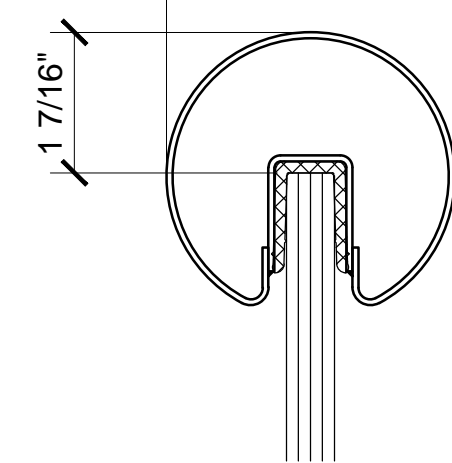
GR16 - 1.660"Ø
FOR 1/2" (12mm) TO
5/8" (15mm) GLASS



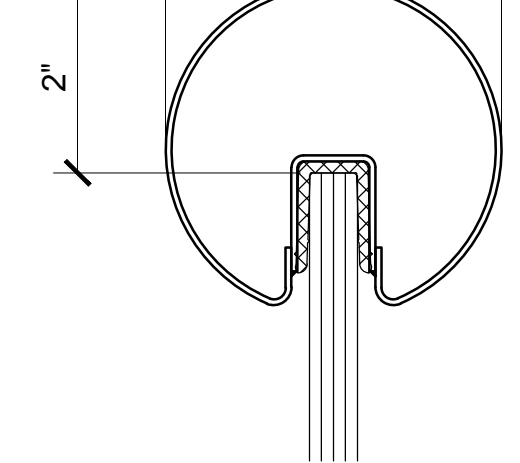
GR20 - 2"Ø
FOR 1/2" (12mm) TO
5/8" (15mm) GLASS



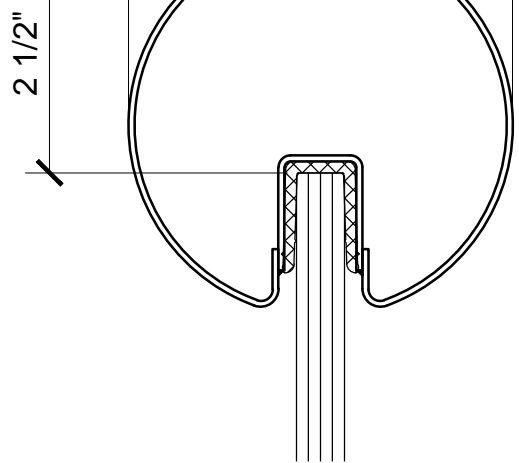
GR25 - 2 1/2"Ø
FOR 1/2" (12mm) TO
5/8" (15mm) GLASS



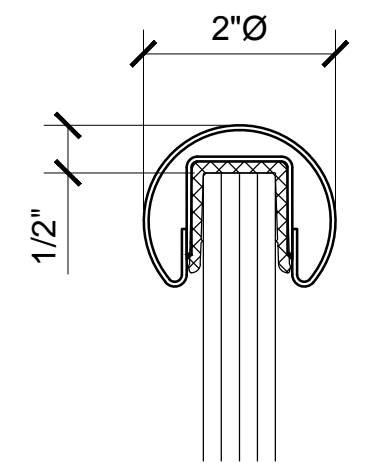
GR30 - 3"Ø
FOR 1/2" (12mm) TO
5/8" (15mm) GLASS



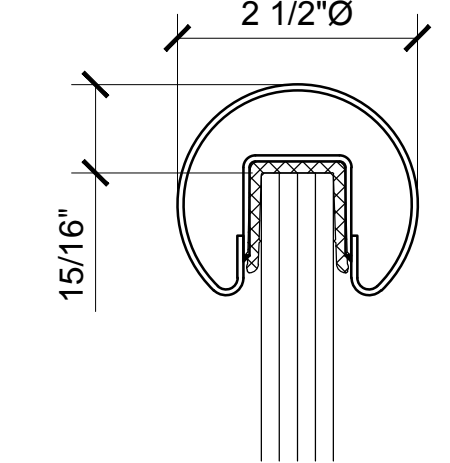
GR35 - 3 1/2"Ø
FOR 1/2" (12mm) TO
5/8" (15mm) GLASS



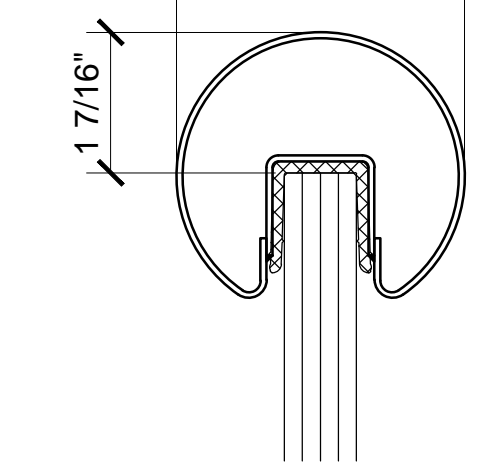
GR40 - 4"Ø
FOR 1/2" (12mm) TO
5/8" (15mm) GLASS



GR207 - 2"Ø
FOR 3/4" (19mm) GLASS

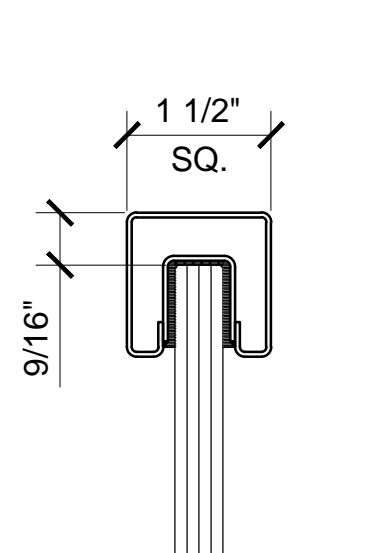


GR257 - 2 1/2"Ø
FOR 3/4" (19mm) GLASS

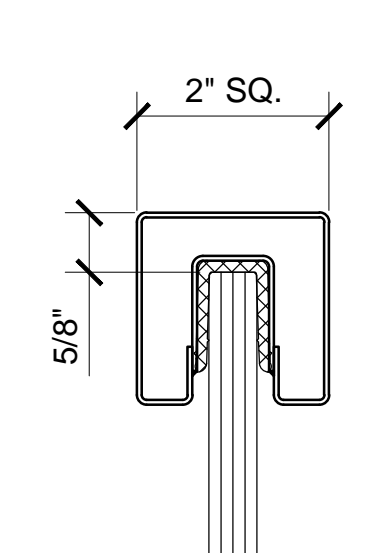


GR307 - 3"Ø
FOR 3/4" (19mm) GLASS

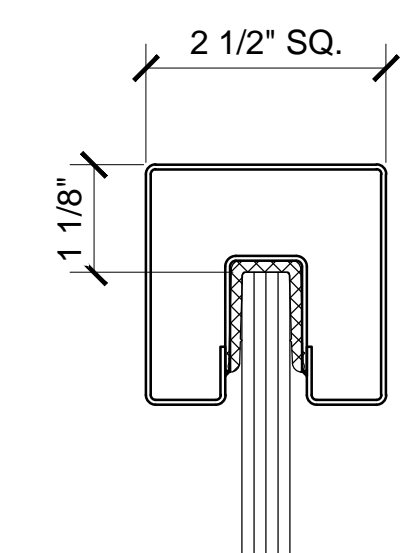
BUMP-FORMED & WELDED PREMIUM RADIUS PROFILE CAP RAIL



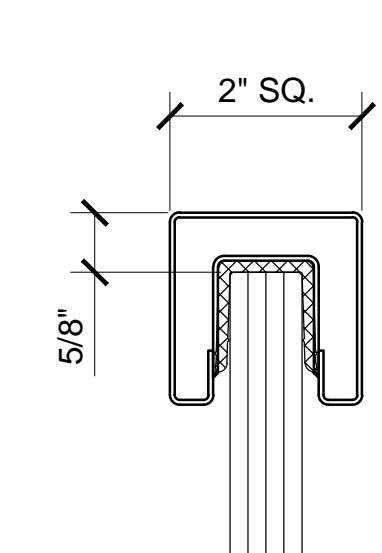
GRS15 - 1 1/2" SQ.
FOR 1/2" (12mm) GLASS



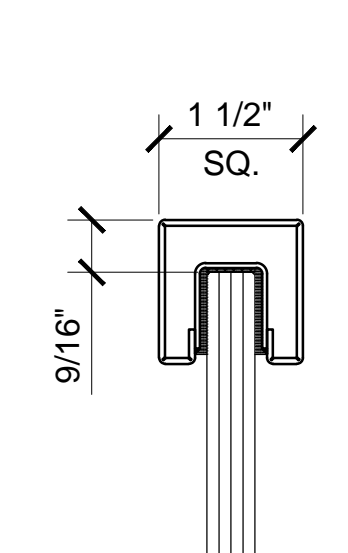
GRS20 - 2" SQ.
FOR 1/2" (12mm) TO
5/8" (15mm) GLASS



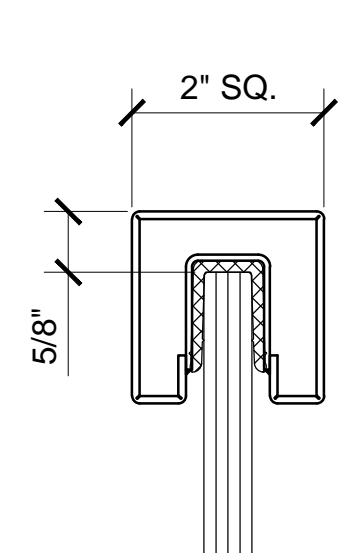
GRS25 - 2 1/2" SQ.
FOR 1/2" (12mm) TO
5/8" (15mm) GLASS



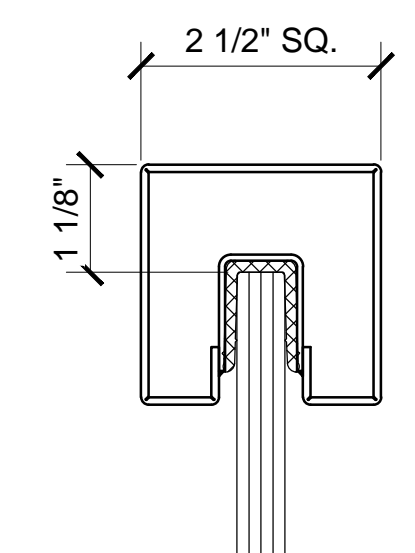
GRS207 - 2" SQ.
FOR 3/4" (19mm) GLASS



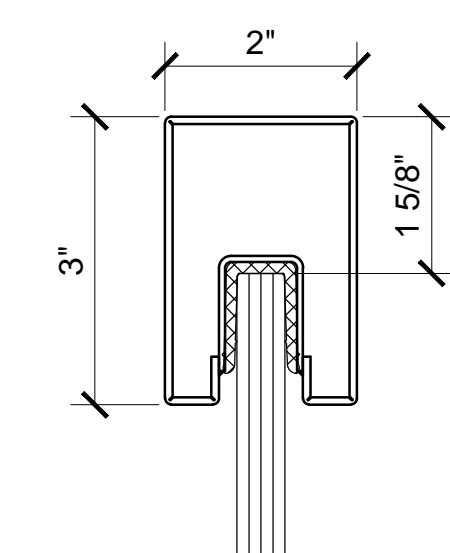
GRSC15 - 1 1/2" SQ.
FOR 1/2" (12mm) GLASS



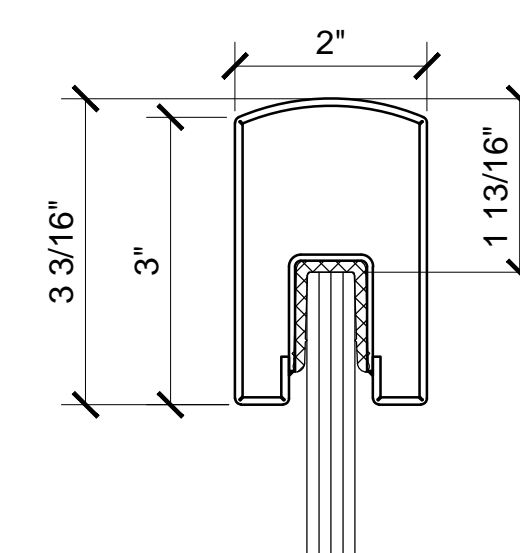
GRSC20 - 2" SQ.
FOR 1/2" (12mm) TO
5/8" (15mm) GLASS



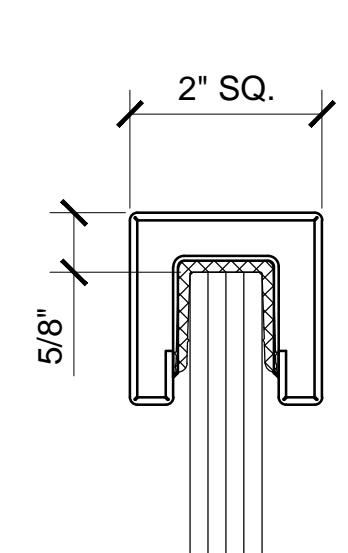
GRSC25 - 2 1/2" SQ.
FOR 1/2" (12mm) TO
5/8" (15mm) GLASS



GRSC3BS - 2" x 3"
FOR 1/2" (12mm) TO
5/8" (15mm) GLASS



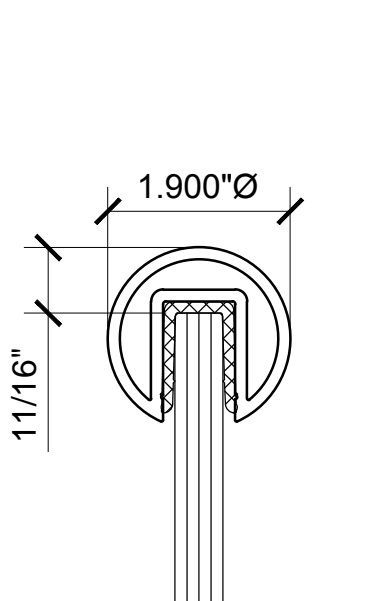
GRSCR3BS - 2" x 3"
FOR 1/2" (12mm) TO
5/8" (15mm) GLASS



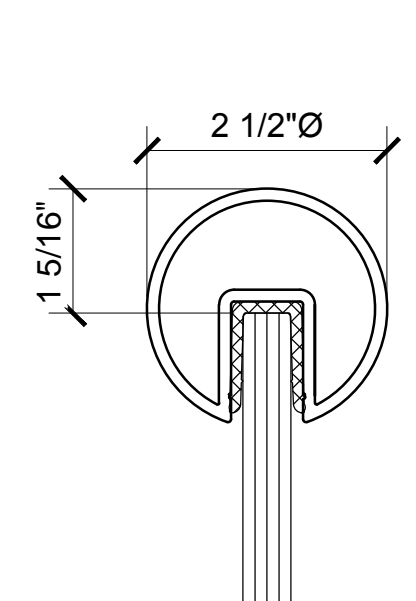
GRSC207 - 2" SQ.
FOR 3/4" (19mm) GLASS

BUMP-FORMED & WELDED PREMIUM SQUARE PROFILE CAP RAIL

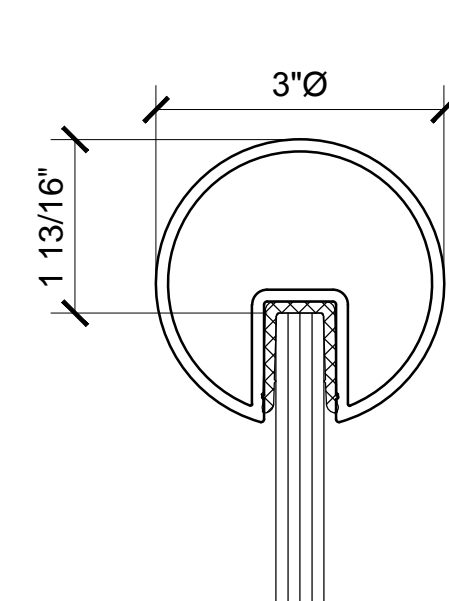
SQUARE PROFILE CRISP CORNER CAP RAIL



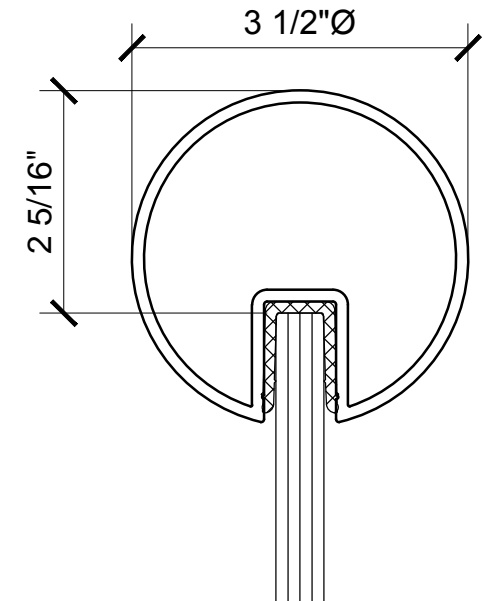
GR19 - 1.9"Ø
FOR 1/2" (12mm) TO
5/8" (15mm) GLASS



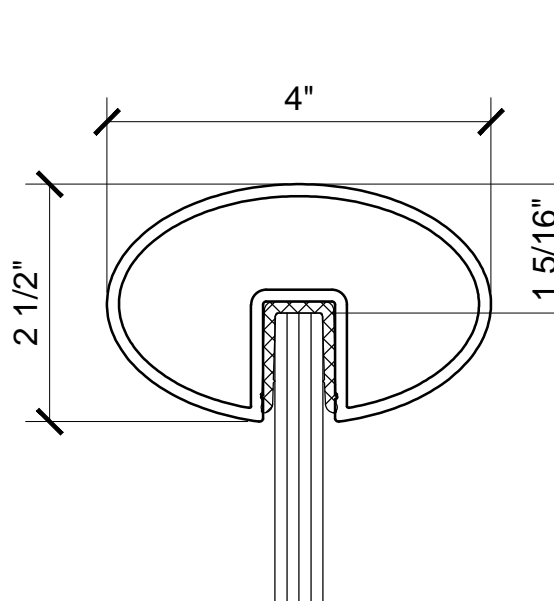
GR25 - 2 1/2"Ø
FOR 1/2" (12mm) TO
5/8" (15mm) GLASS



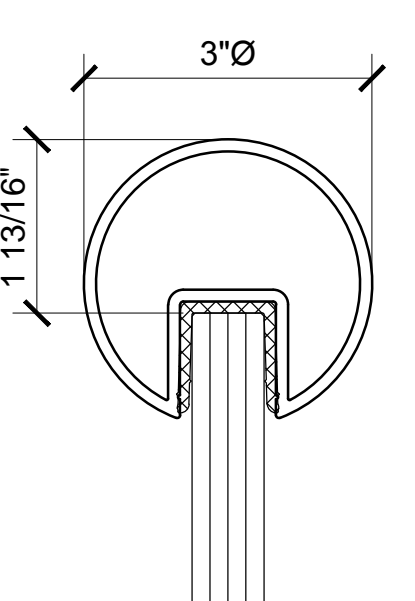
GR30 - 3"Ø
FOR 1/2" (12mm) TO
5/8" (15mm) GLASS



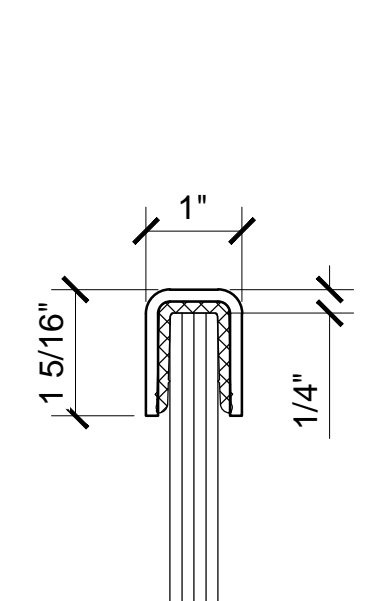
GR35 - 3 1/2"Ø
FOR 1/2" (12mm) TO
5/8" (15mm) GLASS



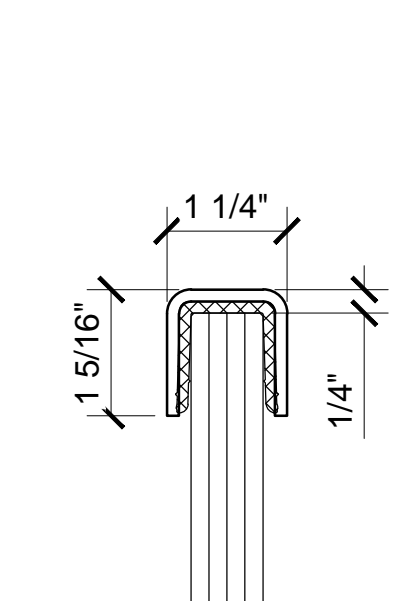
GR0V4 - 4" x 2 1/2" OVAL
FOR 1/2" (12mm) TO
5/8" (15mm) GLASS



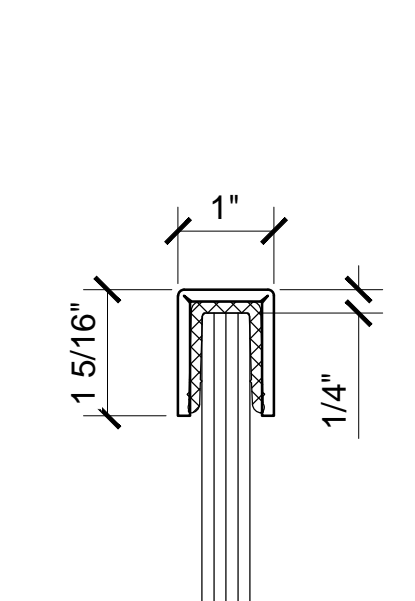
GR307 - 3"Ø
FOR 3/4" (19mm) GLASS



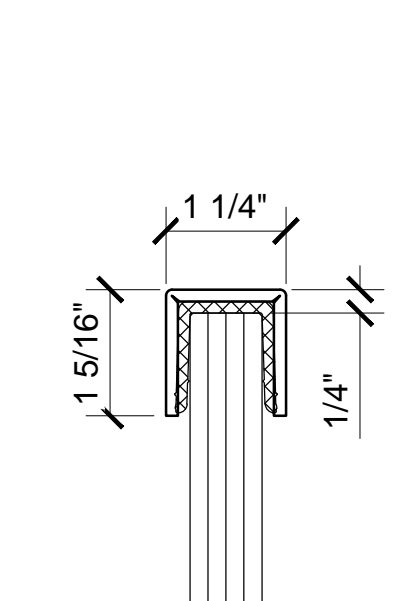
GRL10 - 1" x 1 5/16"
FOR 1/2" (12mm) TO
5/8" (15mm) GLASS



GRL107 - 1 1/4" x 1 5/16"
FOR 3/4" (19mm) GLASS



GRLC10 - 1" x 1 5/16"
FOR 1/2" (12mm) TO
5/8" (15mm) GLASS

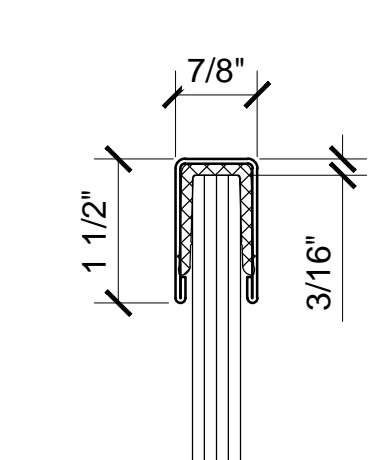


GRLC107 - 1 1/4" x 1 5/16"
FOR 3/4" (19mm) GLASS

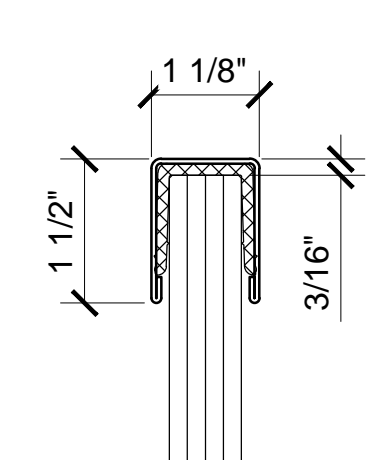
EXTRUDED ALUMINUM CAP RAIL

LOW PROFILE 11 GAUGE CAP RAIL

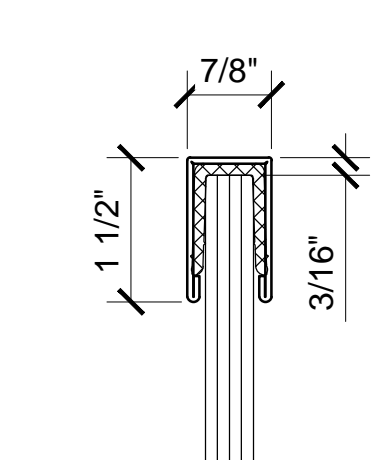
LOW PROFILE CRISP CORNER 11 GAUGE CAP RAIL



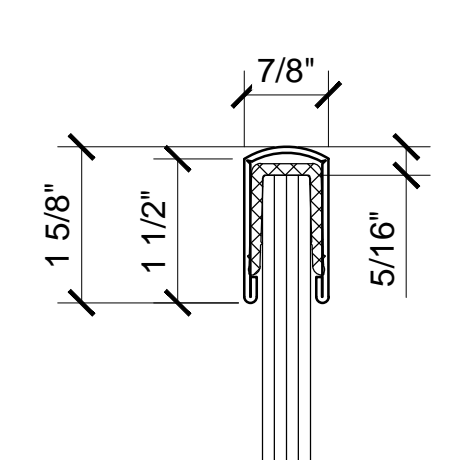
GRUC5 - 7/8" x 1 1/2"
FOR 1/2" (12mm) TO
5/8" (15mm) GLASS



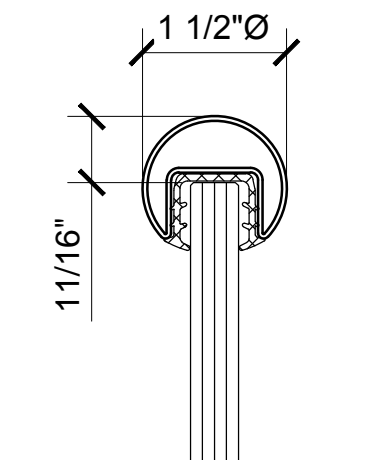
GRUC7 - 1 1/8" x 1 1/2"
FOR 1/2" (12mm) TO
5/8" (15mm) GLASS



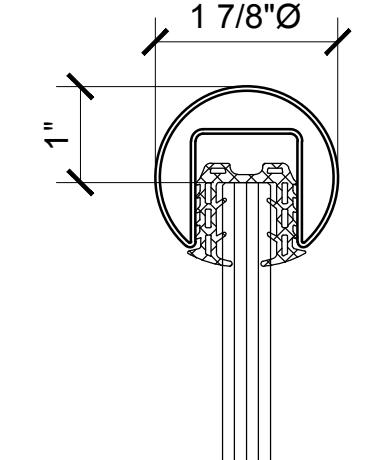
GRUCF5 - 7/8" x 1 1/2"
FOR 1/2" (12mm) TO
5/8" (15mm) GLASS



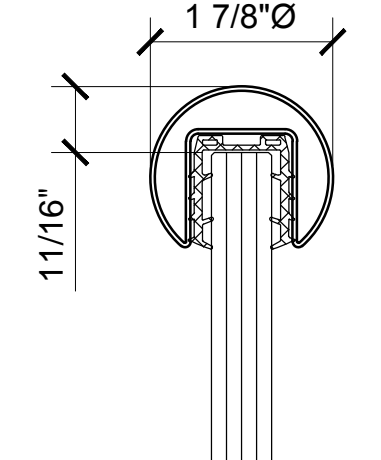
GRUCR5 - 7/8" x 1 1/2"
FOR 1/2" (12mm) TO
5/8" (15mm) GLASS



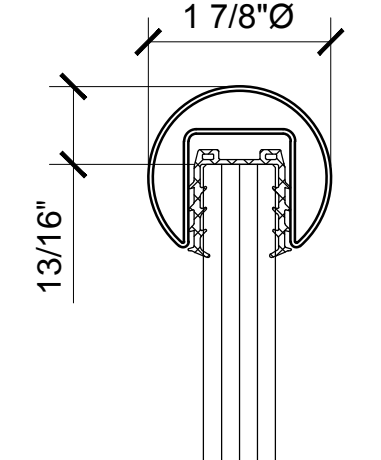
GRRF15 - 1 1/2"Ø
FOR 1/2" (12mm) TO
5/8" (15mm) GLASS



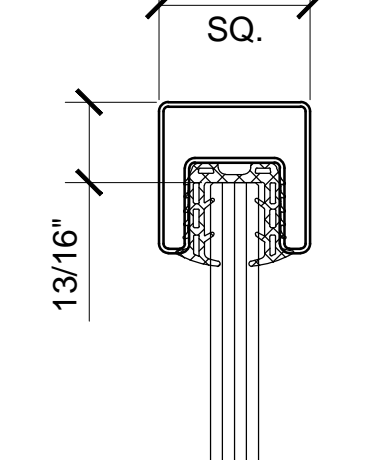
GRRF20 - 1 7/8"Ø
FOR 1/2" (12mm) GLASS



GRRF20 - 1 7/8"Ø
FOR 5/8" (15mm) GLASS



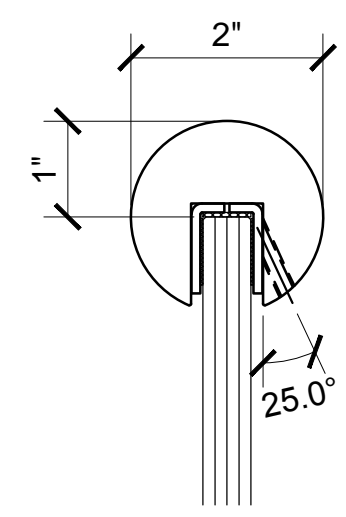
GRRF20 - 1 7/8"Ø
FOR 3/4" (19mm) GLASS



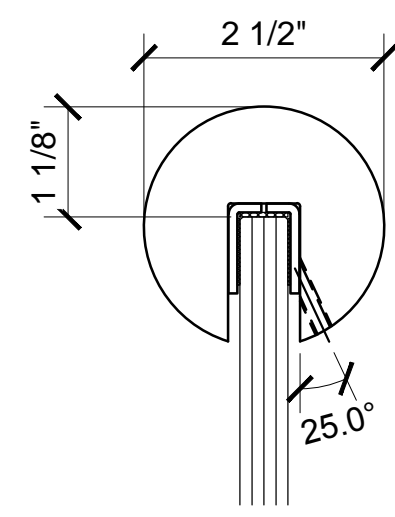
SRF15 - 1 1/2" SQ.
FOR 1/2" (12mm) GLASS

U-CHANNEL 18 GAUGE CAP RAIL

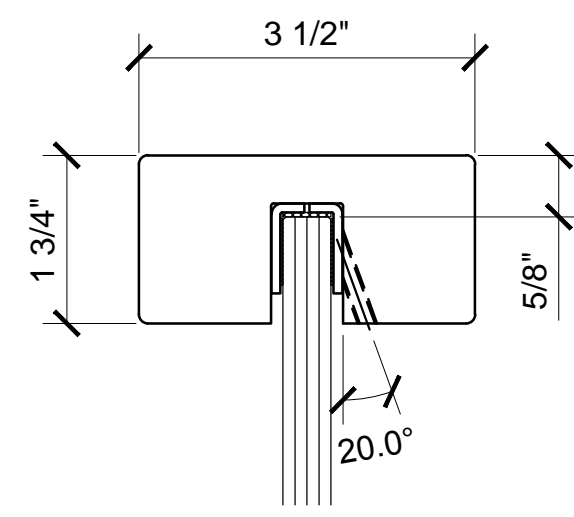
ROLL-FORMED CAP RAIL



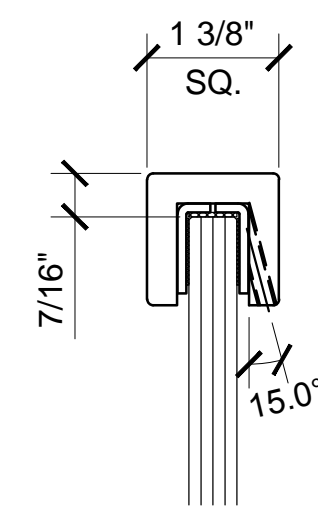
337 SERIES - 2"Ø
FOR 1/2" (12mm)



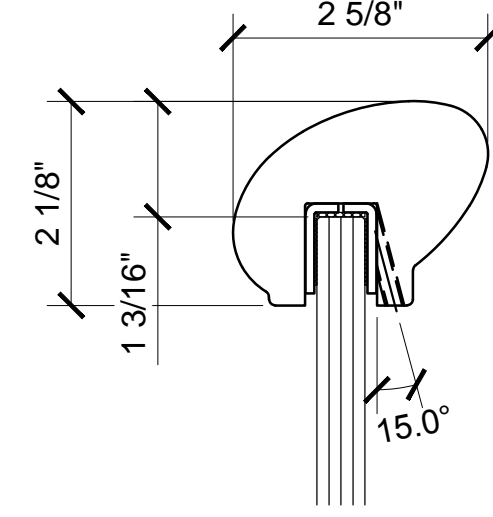
338 SERIES - 2 1/2"Ø
FOR 1/2" (12mm)



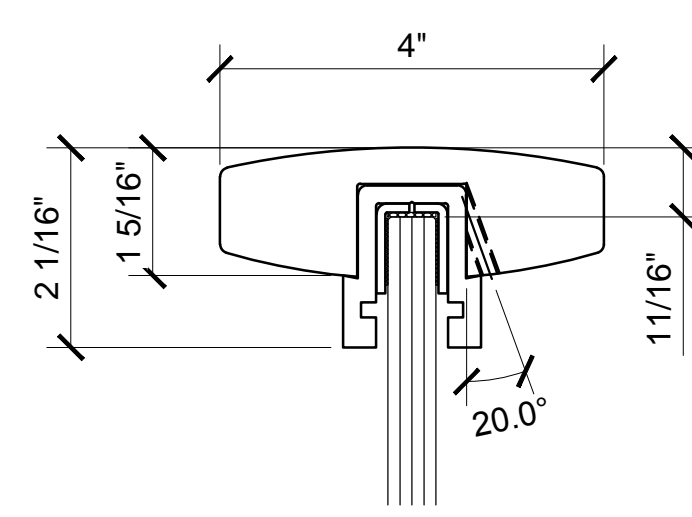
339 SERIES - 3 1/2" x 1 3/4"
FOR 1/2" (12mm)



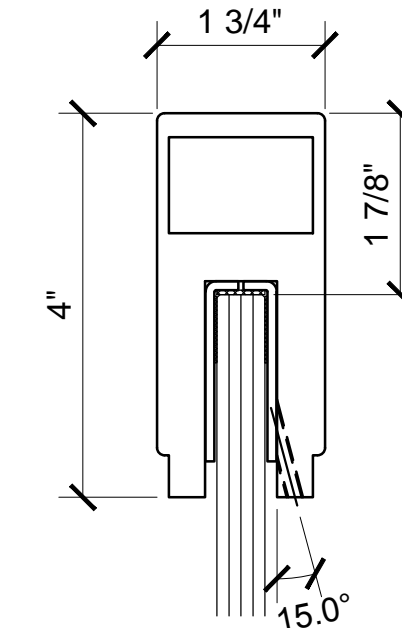
324 SERIES - 1 3/8" SQ.
FOR 1/2" (12mm)



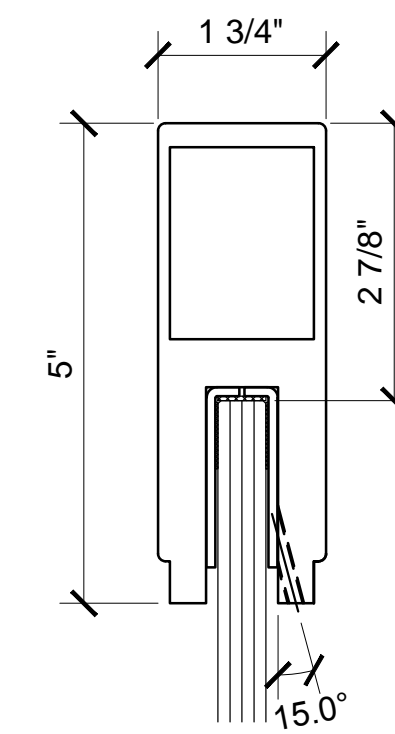
376 SERIES - ELLIPTICAL
FOR 1/2" (12mm)



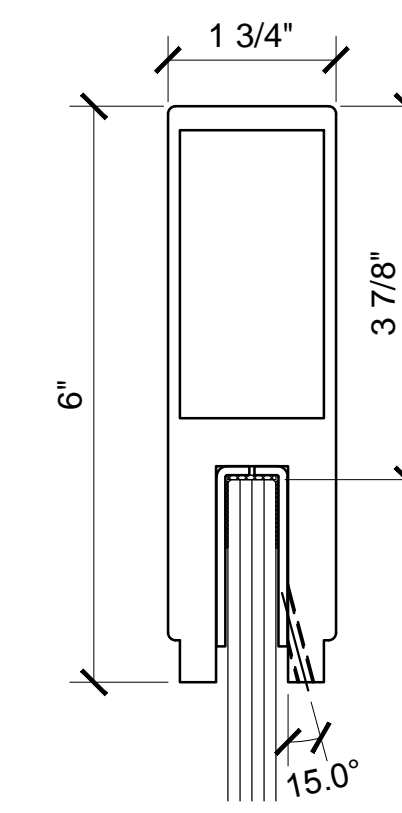
398 SERIES - 4" x 1 5/16"
FOR 1/2" (12mm)



636 SERIES - 1 3/4" x 4"
FOR 1/2" (12mm)



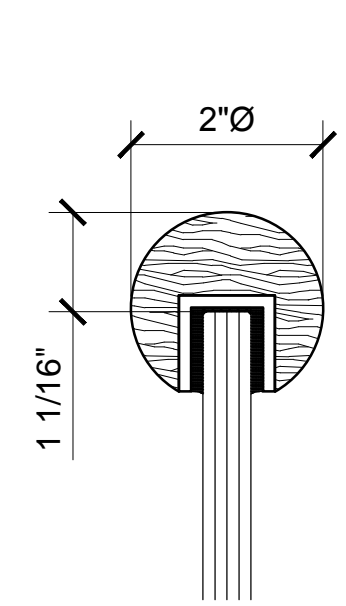
637 SERIES - 1 3/4" x 5"
FOR 1/2" (12mm)



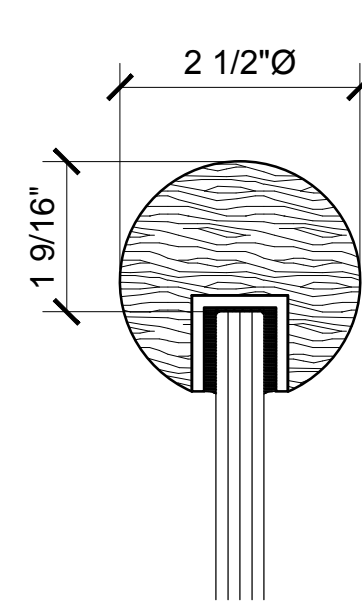
638 SERIES - 1 3/4" x 6"
FOR 1/2" (12mm)

BLUMCRAFT® EXTRUDED SOLID ALUMINUM CAP RAIL

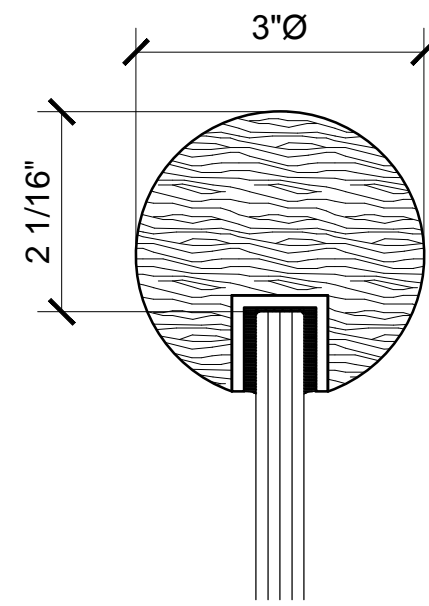
BLUMCRAFT® EXTRUDED ALUMINUM CAP RAIL



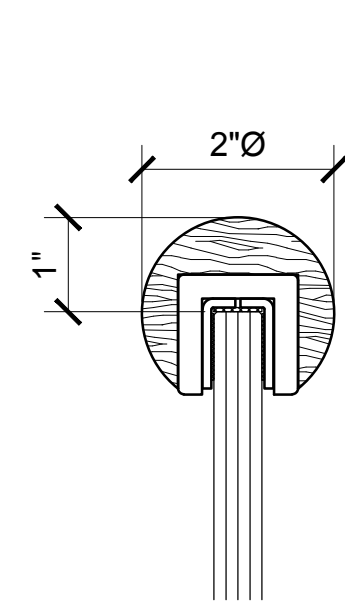
WCR20 - 2"Ø
FOR 1/2" (12mm) TO
5/8" (15mm) GLASS



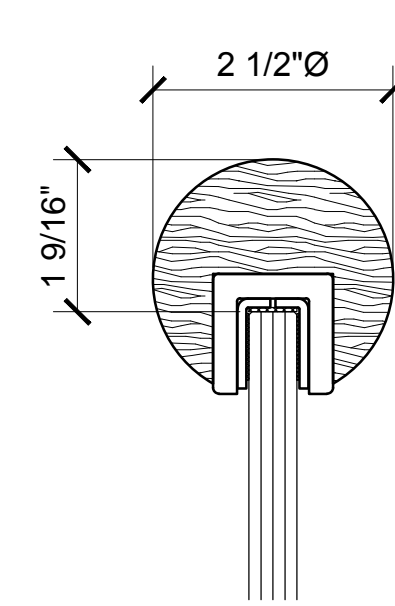
WCR25 - 2 1/2"Ø
FOR 1/2" (12mm) TO
5/8" (15mm) GLASS



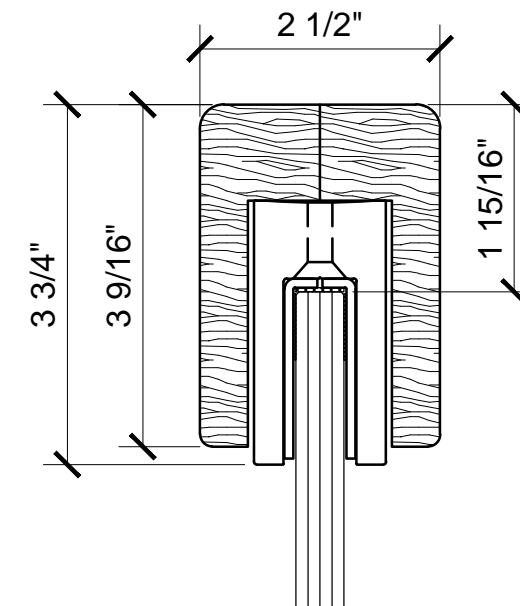
WCR30 - 3"Ø
FOR 1/2" (12mm) TO
5/8" (15mm) GLASS



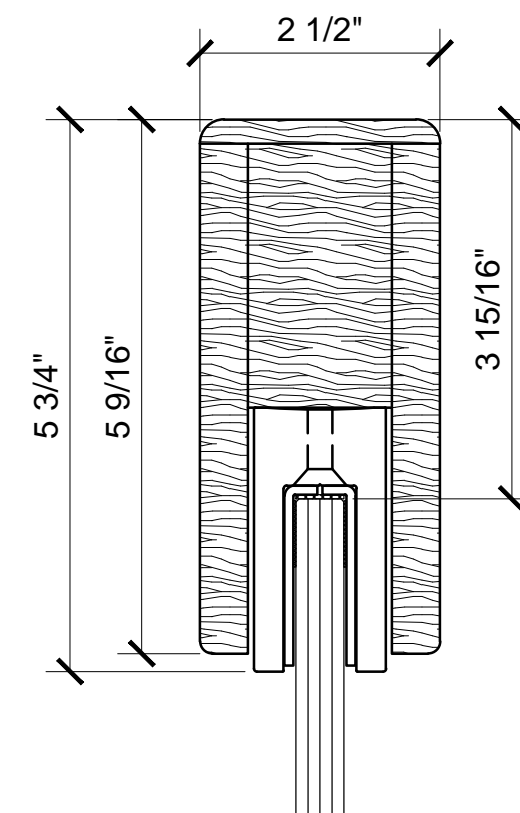
346 SERIES - 2"Ø
FOR 1/2" (12mm)



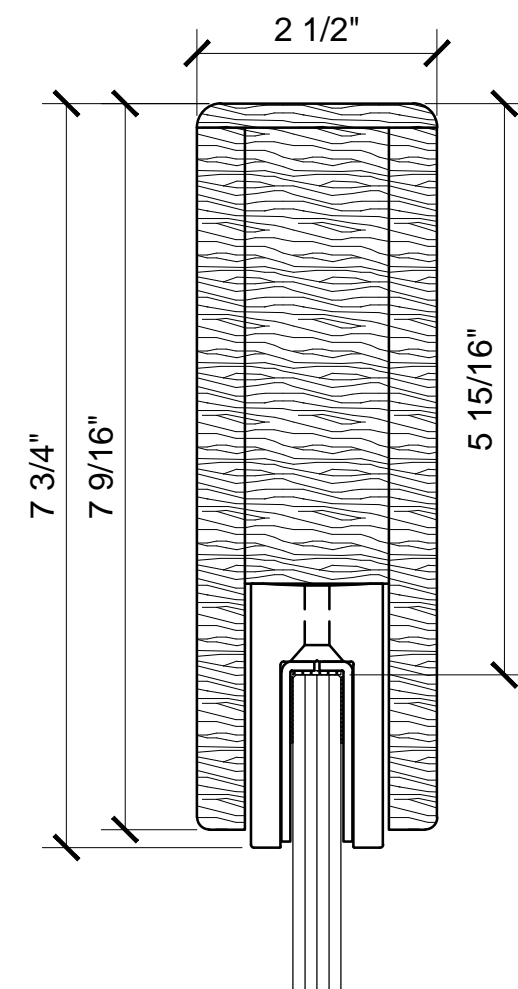
347 SERIES - 2 1/2"Ø
FOR 1/2" (12mm)



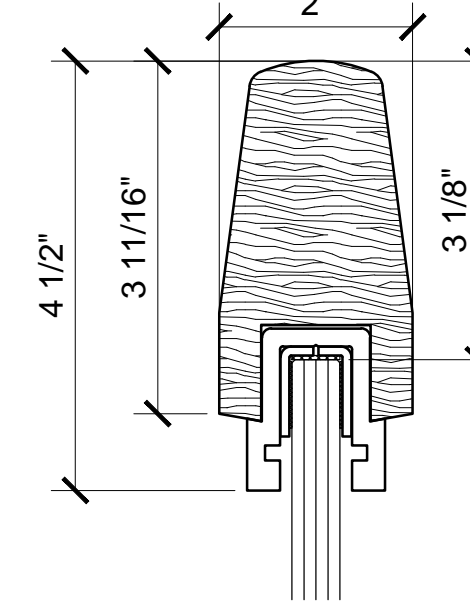
631 SERIES - 2 1/2" x 3 3/4"
FOR 1/2" (12mm) GLASS



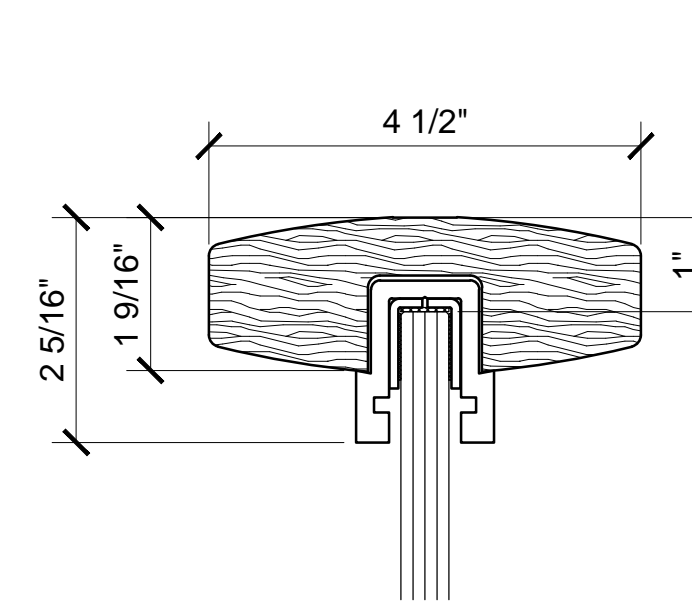
632 SERIES - 2 1/2" x 5 3/4"
FOR 1/2" (12mm) GLASS



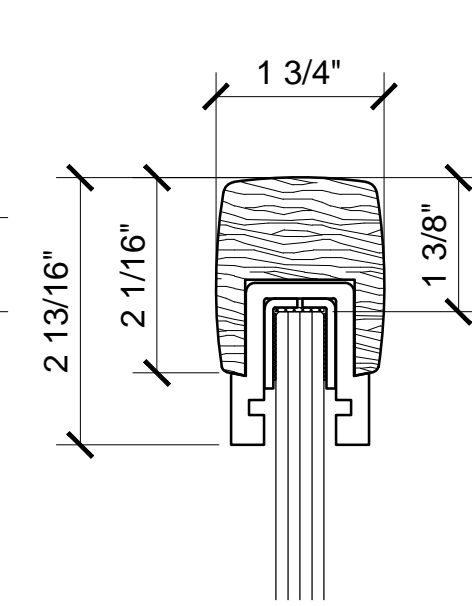
633 SERIES - 2 1/2" x 7 3/4"
FOR 1/2" (12mm) GLASS



372 SERIES - 2" x 4 1/2"
FOR 1/2" (12mm)



373 SERIES - 4 1/2" x 2 5/16"
FOR 1/2" (12mm)



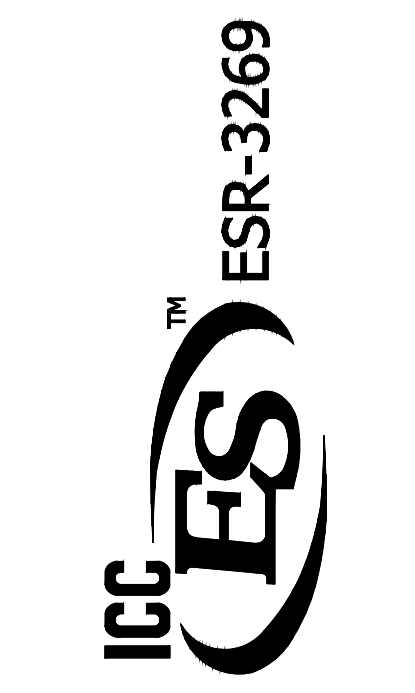
397 SERIES - 1 3/4" x 2 13/16"
FOR 1/2" (12mm)

WOOD CAP RAIL

| | | |
|---------------|----------|----|
| Revisions By: | | |
| 5 | - | - |
| 4 | - | - |
| 3 | - | - |
| 2 | - | - |
| 1 | 02/08/16 | JG |



C.R. LAURENCE CO. ARCHITECTURAL PRODUCTS
2503 E. Vernon Avenue, Los Angeles, CA 90058-1897
PH (800)-421-6144 FX: 800-587-7301 www.crlaurence.com



GRS
GLASS RAILING SYSTEM
FOR TEMPERED MONOLITHIC
1/2", 5/8" & 3/4" THK. GLASS

CAP RAIL OPTIONS

Drawn By: JG
Date: 12/15/2015
Scale: AS NOTED
File Name:
CRL GRS Monolithic Glass Railing System.dwg
Sheet
4