

CRL ESSENCE SERIES ROLLING SHOWER DOOR SYSTEM (WITH HEADER) CAT. NO.'s ESS560, ESS584, ESS760, AND ESS784

INSTALLATION INSTRUCTIONS

STANDARD KIT INCLUDES:

- Two - Bottom Rollers (Rounded or Squared)
- *One - Spanner Wrench for Roller Adjustment
- Two - Top Roller Guides
- One - 64" (1.63 m) Length Bottom Track with Two-Sided Tape
- One - 98" (2.49 m) Length U-Channel
- One - 98" (2.49 m) Length Plastic L-Seal
- One - SDCEC12 End Cap for Channel
- One - Roller Stop
- *One - 1/16" (1.6 mm) Neoprene Setting Block
- One - Sliding Shower Header w/Snap Cover
- Two - 180 Degree Fixed Glass Fittings
- *Two - Brass Wall Mount Brackets

Wall Mount and Glass-to-Glass Brackets, Handle or Knob, and Other Accessories Sold Separately

* Not Shown



Rounded Style Rollers (2)
Cat. No. BR4

OR



Squared Style Rollers (2)
Cat. No. SR4



Top Roller Guides (2)
Cat. No. HTG4BN



64" (1.63 m) Bottom Track (1)
with Two-Sided Tape
Cat. No. BT4



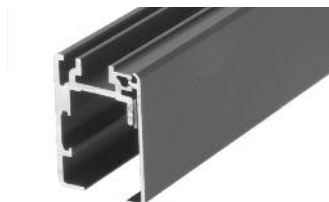
98" (2.49 m)
Clear "L" Seal (1)
Cat. No. DK98L



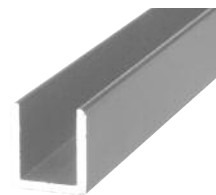
End Cap (1)
Cat. No. SDCEC12



180° Fixed Glass Fittings (2)
Cat. No. FGF4



Header with Snap Cover
Cat. No. ESSH60 60" (1.52m)
or Cat. No. ESSH84 84" (2.13m)



98" (2.49 m)
U-Channel (1)
Cat. No. SDCCD12



Roller Stop
Cat. No. EHSSA

- 1) Determine the location of the fixed panel on the curb. As a guideline, when no vertical fastener is used, a 1/8" (3 mm) clearance is recommended. Fixed panels with Essence Series Sliders are installed into U-Channel.
- 2) Determine the location of the fixed panel of glass with which the sliding door will interact. Cut the U-Channel to the correct length and mount it to the curb/tub.
- 3) Cut the Sliding Shower Door Header and Snap Cover 1/16" (1.6 mm) shorter than the wall-to-wall tight dimension where the track is to be mounted.
- 4) On the fixed panel, measure from the edge of the glass that butts the wall to the center of the holes in the fixed panel of glass at the top and determine the correct location to set the connectors into the Sliding Shower Header.
- 5) Using the location to the center of the holes in the fixed panel of glass, add the pre-determined clearance allotted between the fixed glass and the vertical wall the fixed panel butts. These figures will determine exactly where the holes will be located in the Sliding Shower Header for the Fixed Glass Fittings. For example: If the center of the hole at the top of the glass is located 3-1/2" (90 mm) in from the wall-butting edge and a clearance between the glass and the wall has been set at 1/8" (3 mm), the hole location for the Fixed Glass Fittings would be set at 3-5/8" (92 mm) in from the end of the Sliding Shower Door Header.
- 6) Measure from the end of the Sliding Shower Door Header to mark where the holes for the Fixed Glass Fittings are to be drilled.
- 7) Drill clearance holes in the Sliding Shower Door Header to attach the Fixed Glass Fittings.
- 8) Slide the connecting nut into the race in the interior of the Sliding Shower Header, and align to the clearance hole.
- 9) Fasten the Fixed Glass Fittings to the Sliding Shower Door Header snugly using the stud provided.
- 10) Determine the correct location to fasten the Header to the wall. There is a 3/4" (19 mm) gap between the sliding door and the fixed panel of glass. The fixed panel U-Channel is fastened to the floor. Draw a plumb line on the vertical wall that would be an extension of the inside edge of the fixed panel of glass. Using the figure of 3/4" (19 mm) between the sliding door and fixed panel, add half the glass thickness of the sliding door. If the sliding door is 3/8" (10 mm) glass add 3/16" (5 mm) to 3/4" (19 mm) to get 15/16" (24 mm). If the sliding door is 1/2" (12 mm) glass, add 1/4" (6 mm) to 3/4" (19 mm) to get 1" (25.4 mm). Use this figure to locate the mounting screw that fastens the Header to the vertical wall. The Wall Bracket is directly in the middle of the Header/sliding glass. The Wall Bracket gets mounted to the vertical wall 1/4" (6 mm) below the overall height (top of the Header). Mark the opposite side wall to be in alignment with the first bracket location.

CRL ESSENCE SERIES ROLLING SHOWER DOOR SYSTEM (WITH HEADER)

CAT. NO.'s ESS560, ESS584, ESS760, AND ESS784

- 11) At this time the Roller Stop will be inserted into the Sliding Shower Header. Insert the Roller Stop into the end of the Sliding Shower Header with the black rubber stop facing toward the sliding door.
- 12) The Sliding Shower Header is now to be mounted into place. Slip the Brass Wall Bracket into each end of the Header. Tighten them snug when they are flush with the end of the Header.
- 13) Using the screws provided, permanently fasten the Sliding Shower Header to the wall through the Brass Wall Brackets.
- 14) Mount the fixed panel into the U-Channel on the curb and position the holes at the top of the panel into the Fixed Glass Fittings.
- 15) With the plastic washers in place, permanently tighten down the Fixed Glass Fittings through the holes in the glass.
- 16) The Bottom Track must be cut to size and mounted. Measure the opening from wall-to-wall. Deduct 1/16" (1.6 mm) from the tight dimension and cut the Bottom Track to size. The Bottom Track has a hole drilled at each end. The purpose of this hole is to allow water to drain back into the shower. Determine if the base to which the Bottom Track is to be adhered is out of level. If there is an out-of-level condition, cut the Bottom Track in a way that leaves the hole at the low end of the base for proper water drainage. The Bottom Track is to be placed right along side the U-Channel that holds the fixed glass with which the sliding door will interact. The Bottom Track should be touching the U-Channel all along the length of the channel. Place the Bottom Track in position to assure it's cut to the correct length. When you have confirmed the correct length for the Bottom Track, it's time to permanently mount it. The tape on the Bottom Track is 3/4" (19 mm) wide and centered on the extrusion. On the 3/16" (5 mm) wide flat portions without tape, a 1/8" (3 mm) diameter bead of silicone is to be applied in the center the entire length of the Bottom Track. It's important the bead of silicone be continuous and uninterrupted the full length of the Bottom Track. This silicone bead acts as a water barrier to protect the tape from being saturated. Once the silicone has been applied, remove the release liner to the two-sided tape, align the Bottom Track to the U-Channel and permanently fasten the Bottom Track to the curb/tub. If any silicone oozes out from under the Bottom Track, tool it off. The Anti-Jump/Finger-Guard Plate must be allowed to travel freely below the lip of the Bottom Track.
- 17) Before setting the door, fasten the Bottom Rollers on to the bottom edge of the door glass. Use the two thin gaskets if the glass is 1/2" (12 mm) and the two thick gaskets if it's 3/8" (10 mm). Align the flat part on the bottom of the Roller to the bottom edge of the door glass. Snug down the (3) screws that clamp the Roller to the glass. Tighten each of the (3) screws permanently. Set the adjustable portion of the wheel in the middle to have the two small holes on either side of the Allen head screw facing 9 and 3 o'clock. Next, attach the Top Guide/Rollers to the top of the glass. Use the two thick gaskets if using 3/8" (10 mm) glass and the two thin gaskets if using 1/2" (12 mm) glass. Use the gasket with the self-adhesive release liner on the top of the glass to act as a buffer there. Fasten the Top Guide/Rollers with the screws facing to the interior of the shower.
- 18) From inside the shower, position the door adjacent to the Sliding Shower Header and Bottom Track. Carefully lean the top of the door glass toward the Sliding Shower Header and lift the door with the Top Roller/Guide into the Header. Raise the door glass as high as the Header will allow, then swing the bottom of the door glass into position with the Bottom Rollers on top of the Bottom Track.
- 19) Roll the door to the wall where the door will close. Check the vertical reveal between the glass and the wall. If the door glass requires adjusting, use the adjustment screw in the middle of the Bottom Roller. You will note the center hub is out-of-round. This is designed to allow for adjustment up and down. To adjust, loosen the center Allen head screw one full turn. Using the provided Spanner Wrench, adjust the height of the door by turning the out-of-round hub to the desired location. The Allen screw in the middle must be re-tightened prior to rolling the door and testing for correct adjustment.
- 20) The Anti-Jump/Finger-Guard must be installed on the Bottom Rollers. Use the screws provided to put the plate on the Bottom Rollers, leaving the screws slightly loose for adjusting. Once a plate is on each roller, slide the plate upward until the "L" shape is 1/16" (1.6 mm) from touching the Bottom Track. Use the setting block provided to gauge the gap.
- 21) Adjust the Roller Stop in the Header to the correct position that will protect the door from running into the vertical wall or having the handle hit the fixed panel glass. Use a 3/32" Allen Wrench for adjustment.
- 22) With the door properly adjusted, it's time to position the plastic "L" Seal. The plastic "L" Seal must be used to cushion the door from closing against the vertical wall. If the plastic seal isn't used, some sort of cushioning device must be employed to ensure the door doesn't contact the vertical wall. Take the "L" Seal that has the tape applied to it and cut it to fit. Measure from the top of the Bottom Track to the top of the sliding door glass and use this dimension to cut the "L". Next, slide the door closed to within 3/8" (10 mm) of the wall. Wedge a shim between the glass and the Bottom Track to keep the door in position. Remove about 12" (304 mm) of the release liner from the top of the seal. Place the long side of the "L" Seal (the smooth side) on the inside face of the glass, not allowing the tape to stick to the wall. Now, using the glass as a guide, push the "L" Seal from the glass to the wall, slowly peeling more release liner as you go, until you get to the bottom. This process allows you to use the door glass as a guide to ensure the "L" Seal is following the glass along the vertical wall.
- 23) Dry fit the Snap Cover on the Sliding Shower Header to assure the correct fit. The semi-round race in the Snap Cover fits on the last fin at the top of the Header. Once the fit has been verified, peel the release liner from the Snap Cover to expose the sticky side of the two-sided tape. Permanently fasten the Snap Cover to the Sliding Shower Header.

GLASS AND METAL CUTTING FORMULA (180° APPLICATION)

SPECIFICATIONS:

- Overall width = Wall to wall distance
- Overall height = Height from curb to top of glass/header
- Fixed glass height formula is based on using U-Channel. A 3/16" (5 mm) standard deduction is used at the bottom of the fixed panel.
- Fixed and sliding glass panels overlap 2-7/8" (73 mm)
- Standard gap between wall and sliding glass is 1/4" (6 mm)
- Standard gap between wall and fixed glass is 1/8" (3 mm)
- Gap between fixed and sliding glass panels is 3/4" (19 mm)
- Header Height = 2-5/16" (59 mm)

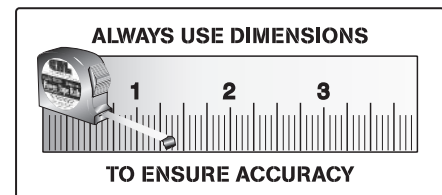
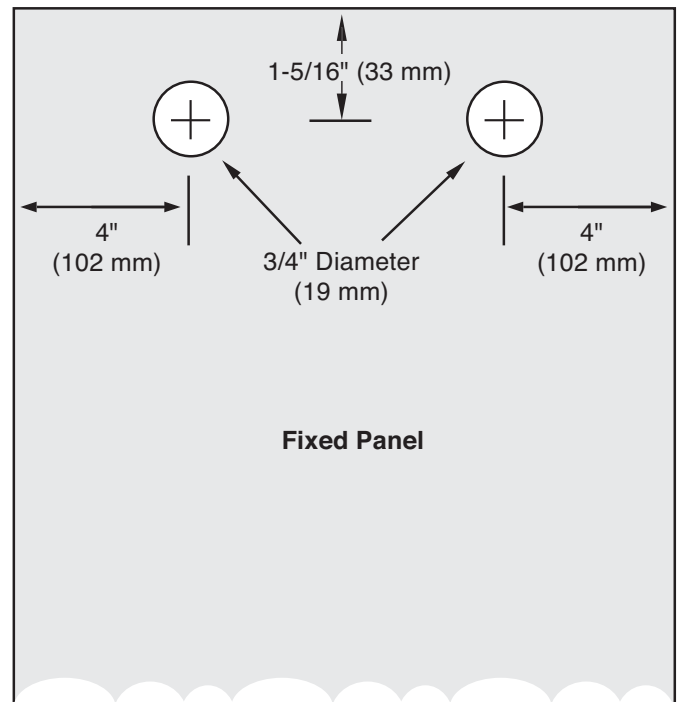
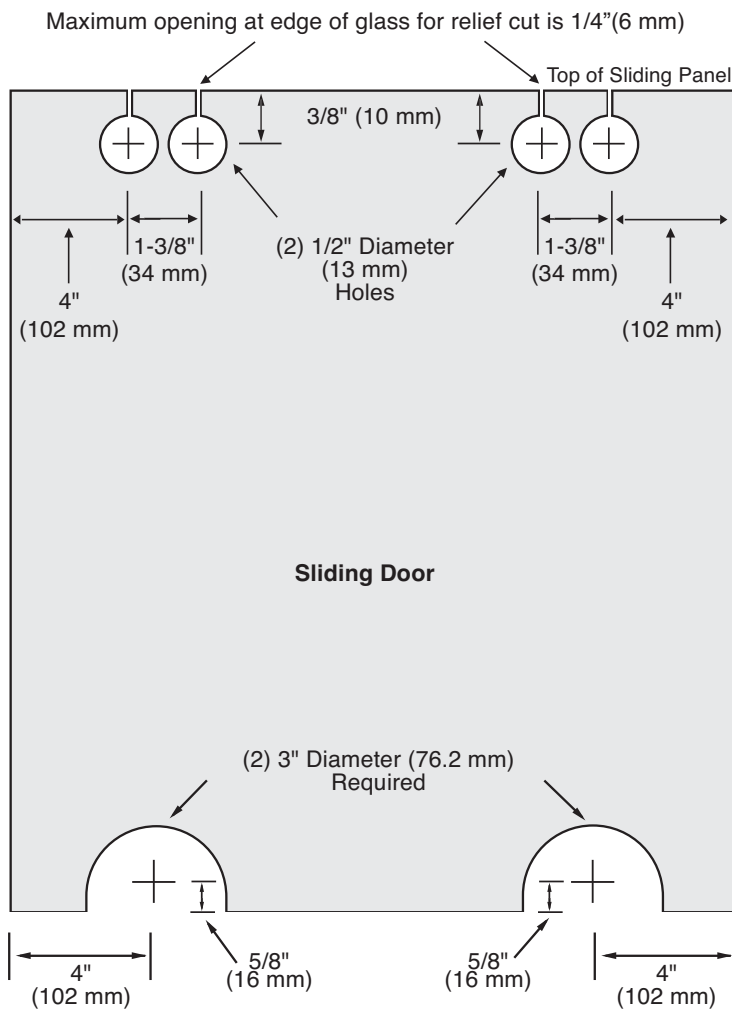
BOTTOM TRACK CUTTING FORMULA:

- Overall width measurement less 1/16" (1.6 mm)

GLASS SIZE CUTTING FORMULA:

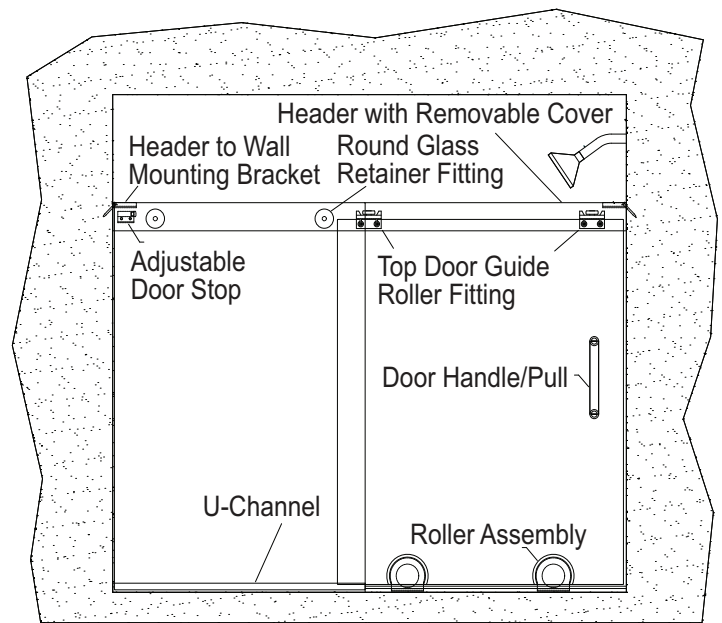
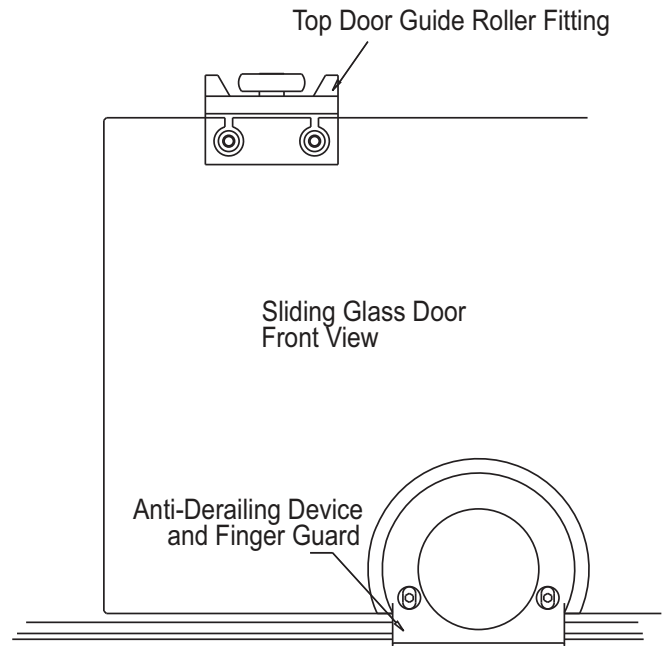
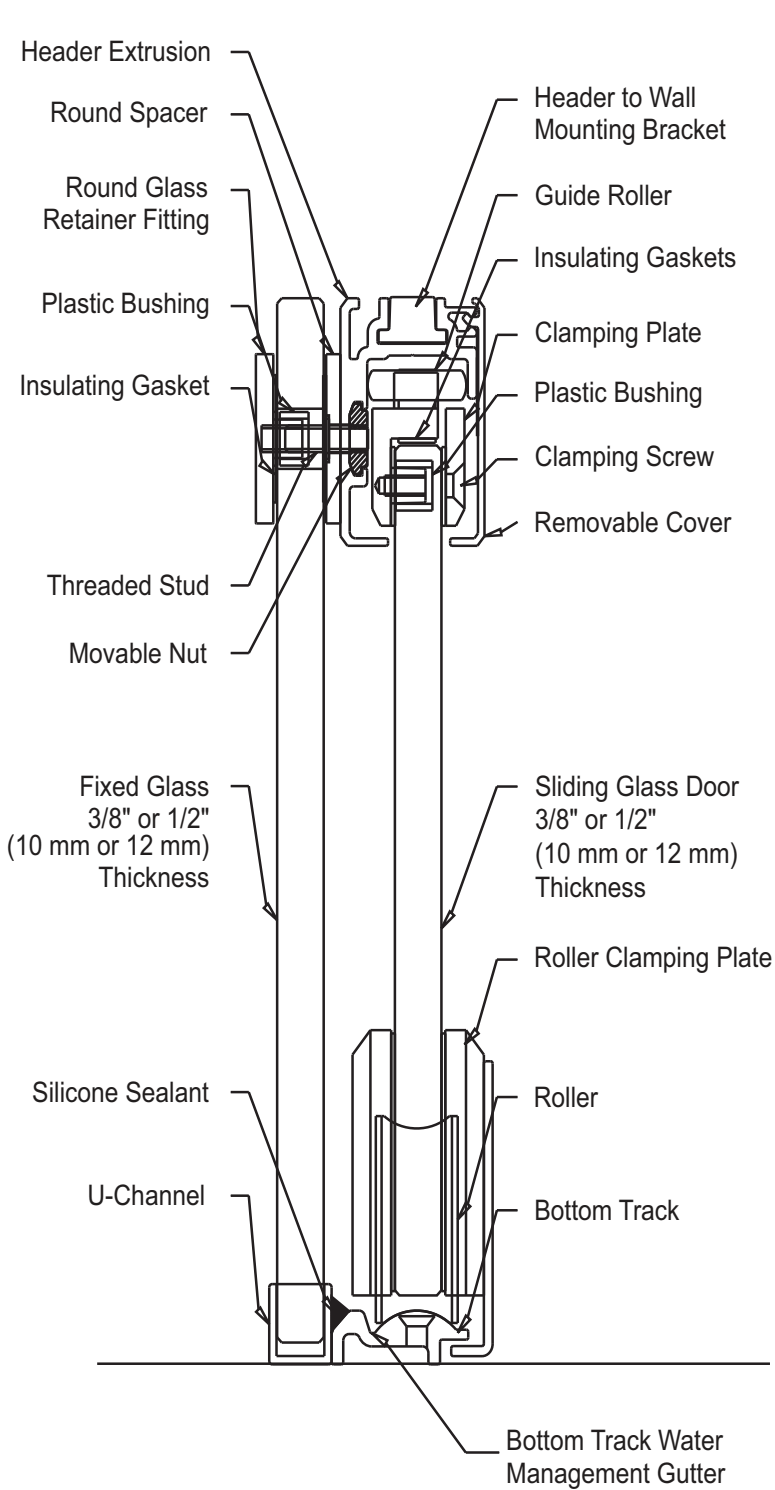
- Width of sliding glass = Overall width divided by 2, plus 1-1/4" (32 mm)
- Width of fixed glass = Overall width divided by 2, plus 1-1/4" (32 mm)
- Height of fixed glass = Overall height minus 3/16" (5 mm)*
- Height of sliding glass = Overall height minus 2" (51 mm)*

* Reminder - Overall height is determined from curb to top of glass



CRL ESSENCE SERIES ROLLING SHOWER DOOR SYSTEM (WITH HEADER)

CAT. NO.'s ESS560, ESS584, ESS760, AND ESS784



Inline Panel Configuration