



C.R. LAURENCE CO., INC.
PROFESSIONAL QUALITY

CAT No. BM8X24

CAT No. CAT8X24

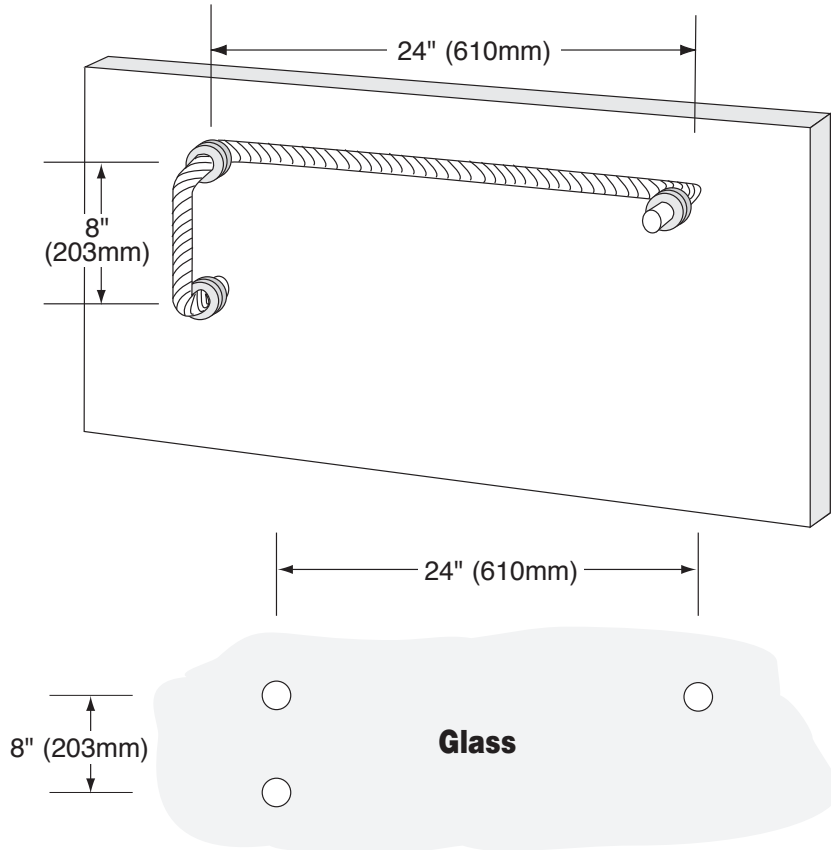
CAT No. V1C8X24

CAT No. MT8X24

CAT No. BMNW8X24

CAT No. SQ8X24

CAT No. CAC8X24



CAT No. BM8X18

CAT No. CAT8X18

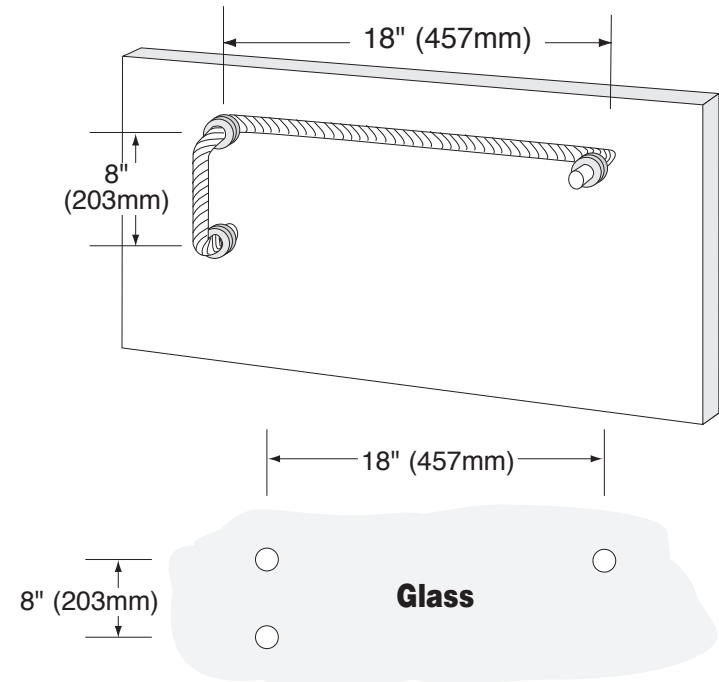
CAT No. V1C8X18

CAT No. MT8X18

CAT No. BMNW8X18

CAT No. SQ8X18

CAT No. CAC8X18



Specifications:

All Holes Are 1/2" (12mm) Diameter
 All Measurements Are Center-To-Center
 Appropriate Clear Gaskets Included
 Fits 1/4" (6mm) to 1/2" (12mm) Glass

PULL AND TOWEL BAR COMBINATION SETS

(Brass or Acrylic Construction)

C.R. Laurence Co., Inc.
crlaurence.com

For technical assistance in the United States call toll free (800) 421-6144; from Canada call toll free (877) 421-6144;
 Outside the U.S. and Canada call (323) 588-1281. Ask for Tech Sales at Extension 7740. Toll free fax (800) 458-7496.

© Copyright 2005, C.R. Laurence Co., Inc_SDT21_US