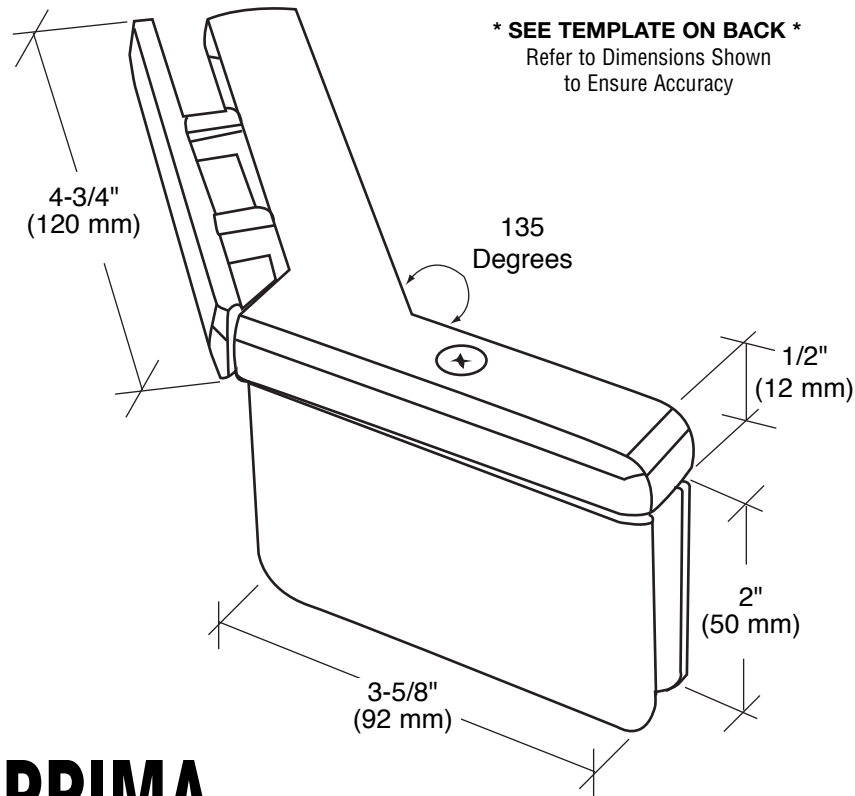


C.R. LAURENCE CO., INC.
PROFESSIONAL QUALITY



*** SEE TEMPLATE ON BACK ***
 Refer to Dimensions Shown
 to Ensure Accuracy

PRIMA

135° Glass-to-Glass Hinge

CAT. No. PPH135L

(LEFT HAND VIEWED FROM SHOWER EXTERIOR)

*Maximum Door Capacities	5/16" (8 mm) Glass Weight	5/16" (8 mm) Glass Width	3/8" (10 mm) Glass Weight	3/8" (10 mm) Glass Width
Using 2 Hinges	100 lbs.(46 kg)	31"(787 mm)	100 lbs.(46 kg)	31"(787 mm)

***NOTE:** Do not exceed either maximum weight or width.

Important Information:

NOTE: Fixed panel must be at least 2" (51 mm) above door

Optional Pivot Pins: Optional 5 degree Pivot Pins (Cat. No. P1VP1N) may be purchased separately. The P1VP1N is sold as a set, one pin for the top hinge and one pin for the bottom hinge. These 5° offset Pivot Pins allow the installer to adjust the closing position of the door 5° inwards or outwards.

Specifications:

Glass Sizes: 5/16" (8 mm) to 3/8" (10 mm) thick tempered safety glass

Construction: Solid brass

Closing Type: Self-centering when within 15° of closed position

Cutout and Holes Required

Includes: Gaskets, screws and template

Use of Gaskets:

For 5/16" (8 mm) Glass: Use one thick gasket and one thin gasket on each side

For 3/8" (10 mm) Glass: Use one thick gasket on each side

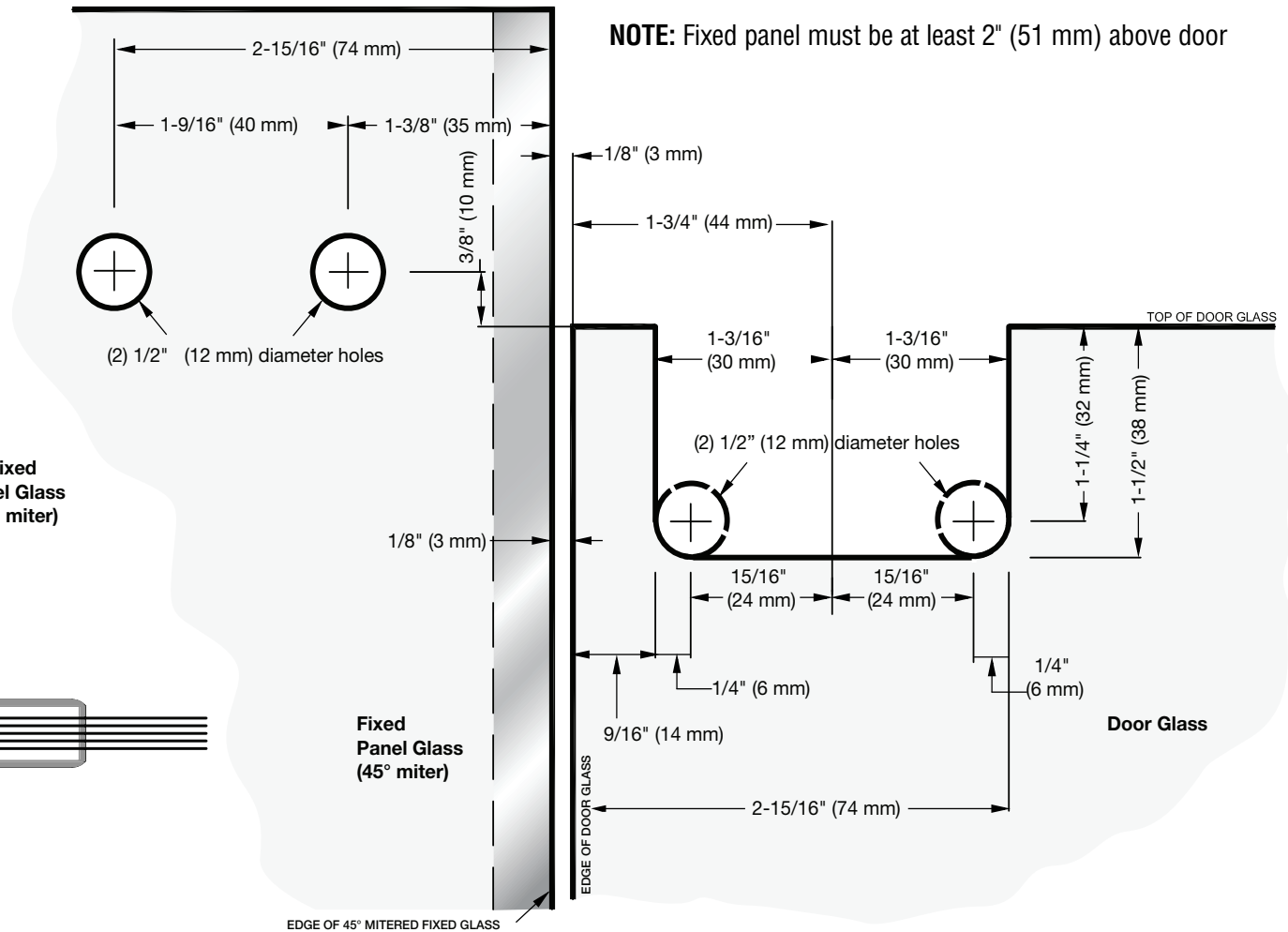
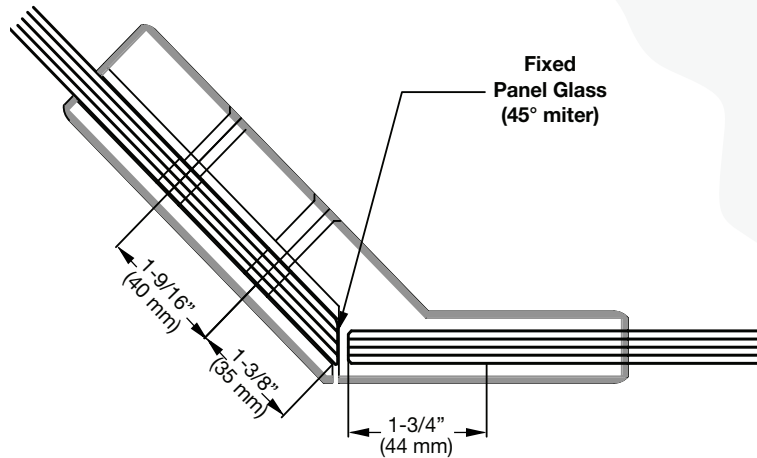
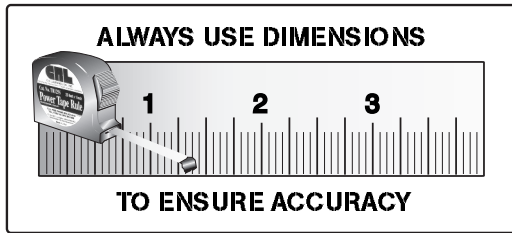
Recommendations:

For public safety, we recommend the use of only tempered safety glass.

Do not use power tools when installing these hinges.

Maintenance Guidelines:

- Never use an abrasive cleaner on the hardware. Many of the components are coated with a clear lacquer that will be irreparably damaged if subjected to harsh, abrasive chemicals. Advise your customer that drying the hardware with a clean, soft towel on a daily basis is the best way to maintain the hardware. If mineral deposits build-up, mix a couple of drops of a mild liquid soap (such as Ivory or a similar product) into a cup of warm water. Using a soft, non-abrasive cloth, clean the hardware. Rinse thoroughly with clean, warm water and dry.



PRIMA

135° Glass-to-Glass Hinge

Cat. No. PPH135L

(LEFT HAND VIEWED FROM SHOWER EXTERIOR)

IMPORTANT:
Project measurements from the edge of the glass.