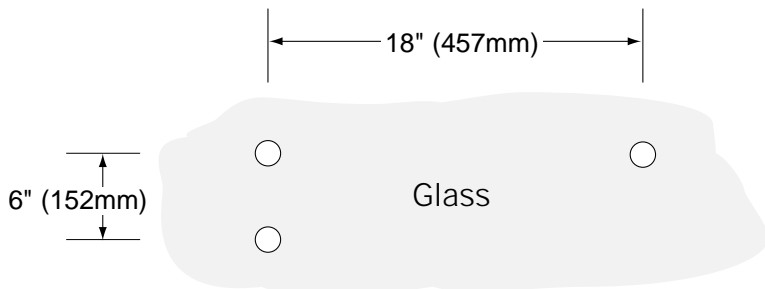
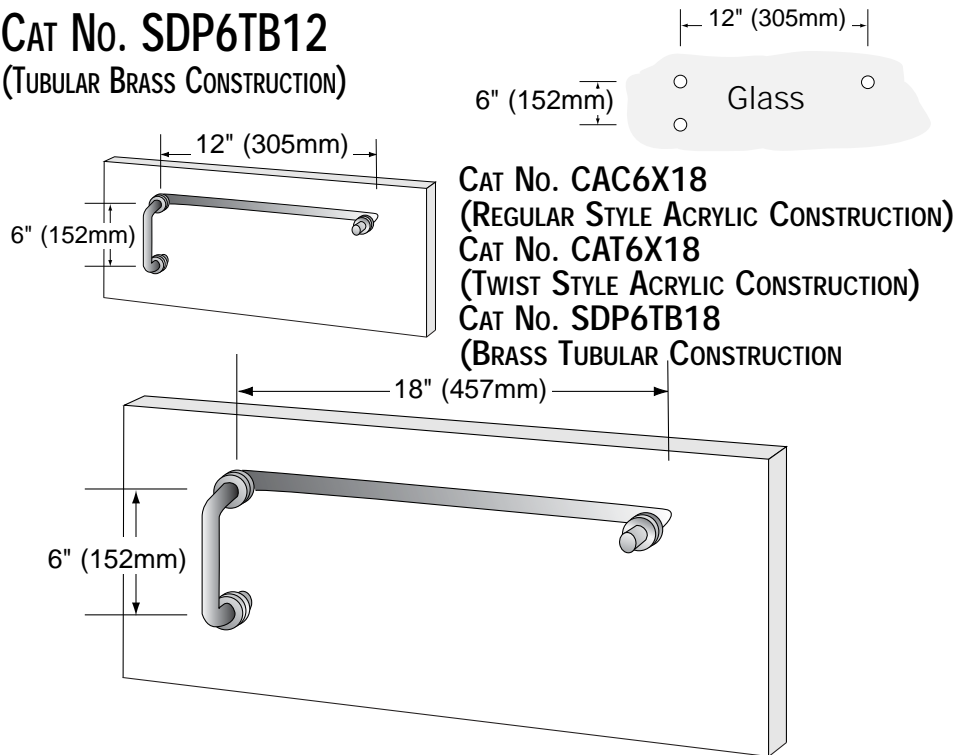




C.R. LAURENCE CO., INC.
PROFESSIONAL QUALITY

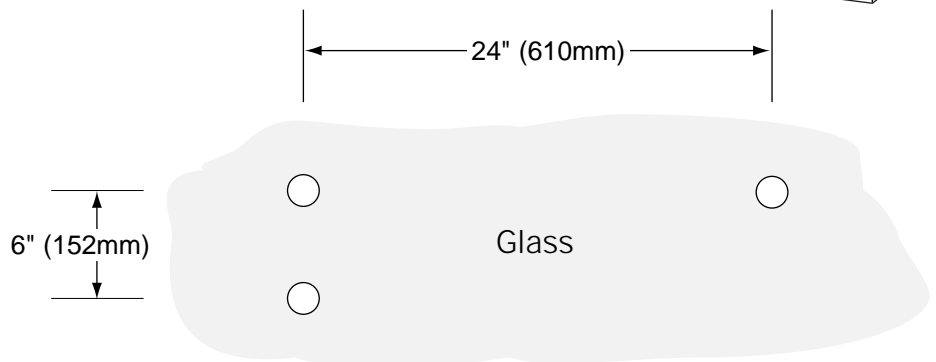
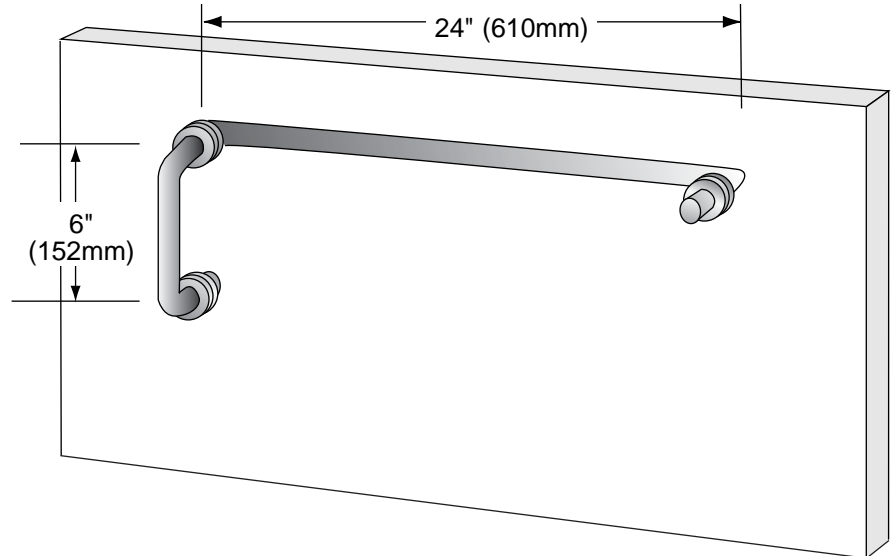
CAT No. SDP6TB12
 (TUBULAR BRASS CONSTRUCTION)



Specifications:

All Holes Are 1/2" (12mm) Diameter
 All Measurements Are Center-To-Center
 Appropriate Clear Gaskets Included
 Fits 1/4" (6mm) to 1/2" (12mm) Glass

CAT No. SDP6TB24 (TUBULAR BRASS CONSTRUCTION)



PULL AND TOWEL BAR COMBINATION SETS
 (Tubular Brass or Acrylic Construction)