



C.R. LAURENCE CO., INC.
PROFESSIONAL QUALITY

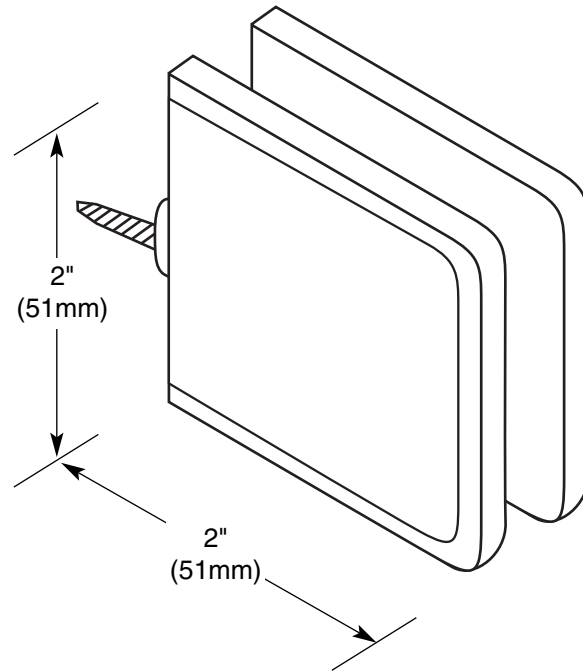
Specifications:

Material: Solid brass

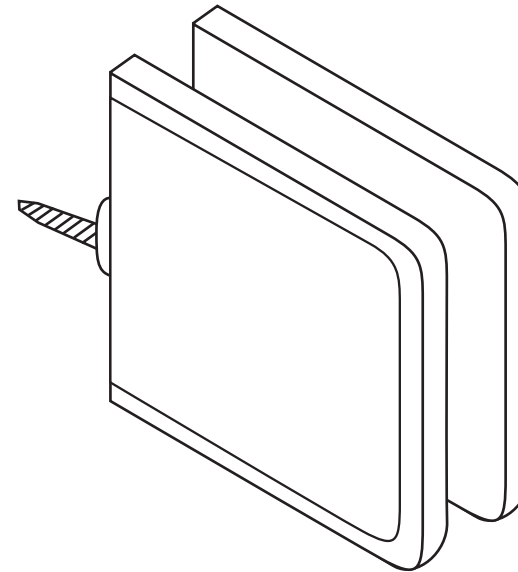
Glass Thickness Range: 3/8" (10mm) to 1/2" (12mm)

Hole Size Required: 5/8" (16mm) or 3/4" (19mm)

Includes: Mounting screws and gaskets



FRONT VIEW



REAR VIEW

GLASS CLAMPS

Wall Mount Movable Transom Clamp

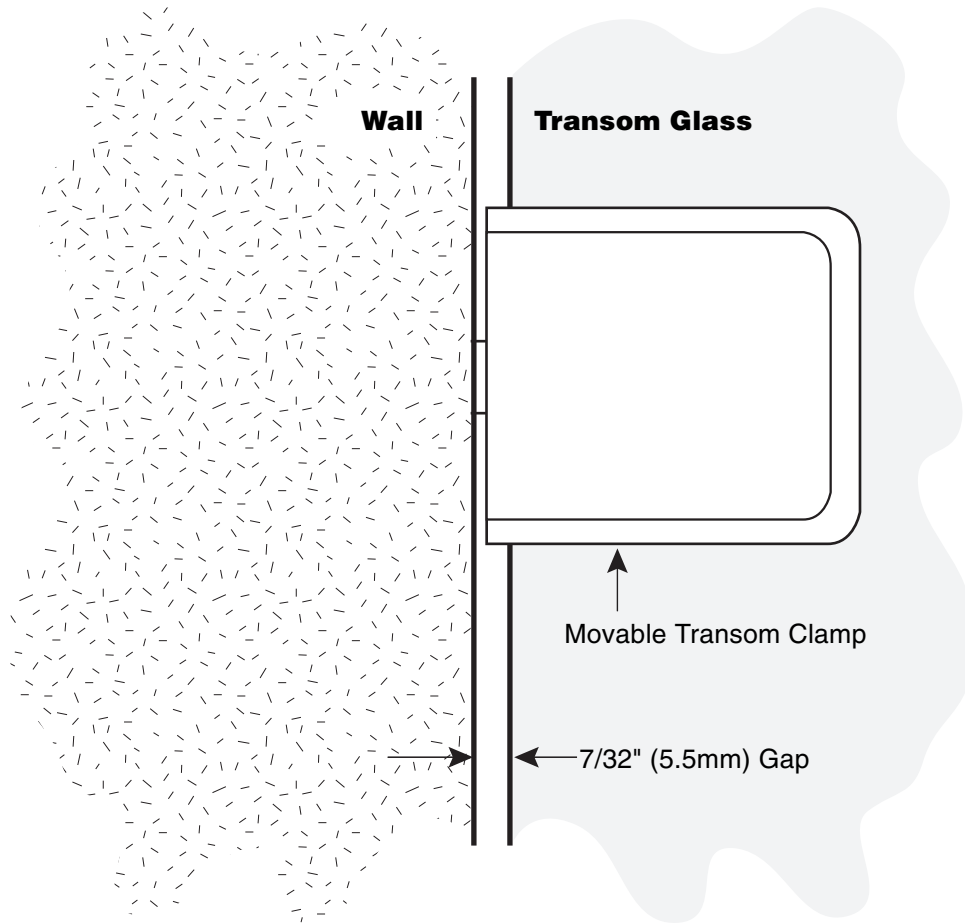
CAT. No. BGC186

BEVELED

Template Shown on Next Page



C.R. LAURENCE CO., INC.
PROFESSIONAL QUALITY



GLASS CLAMPS

Wall Mount Movable Transom Clamp

Cat. No. BGC186

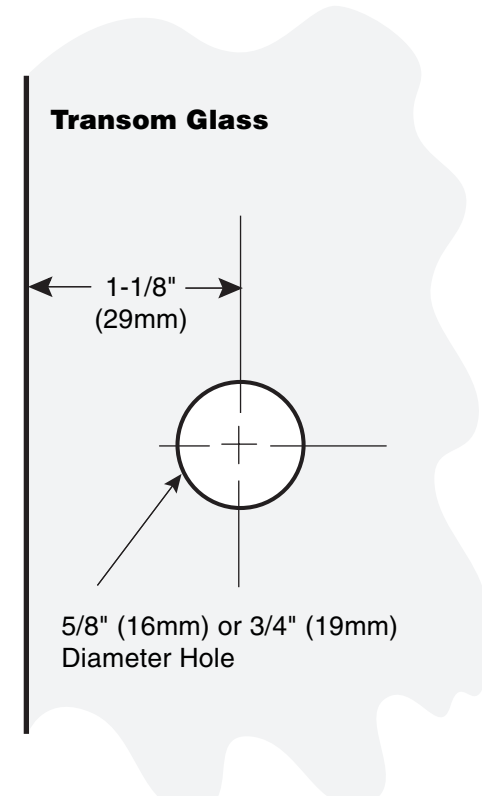
BEVELED

C.R. Laurence Co., Inc.
 crlaurence.com

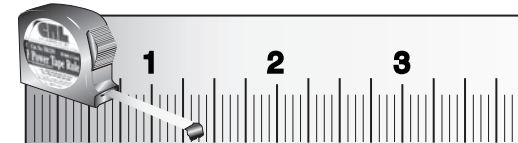
For technical assistance in the United States call toll free (800) 421-6144; from Canada call toll free (877) 421-6144; Outside the U.S. and Canada call (323) 588-1281. Ask for Tech Sales at Extension 7740. Toll free fax (800) 587-7501.

TEMPLATE FOR WALL TO MOVABLE TRANSOM GLASS

Important: Project measurements from the edge of glass.



ALWAYS USE DIMENSIONS



TO ENSURE ACCURACY