

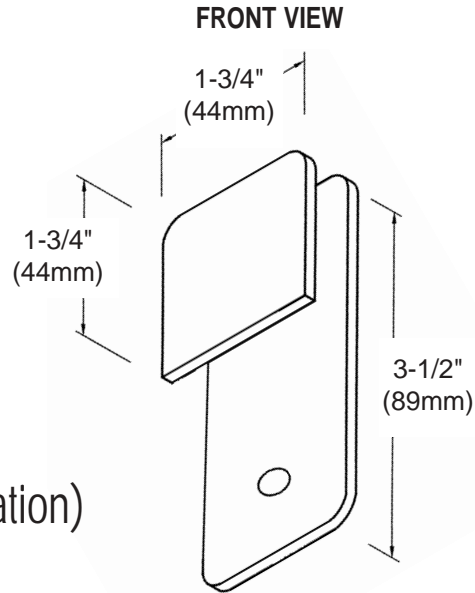


Note: The clamp shown on this page can also be used in a glass-to-glass application. For information on this see pages 4X-21 and 4X-22.

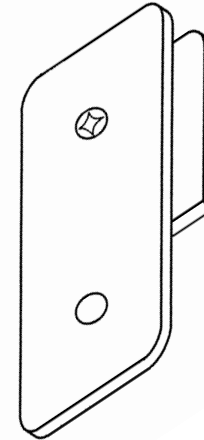
GLASS CLAMPS

180° Split Face Glass Clamp
("Y" Inline Wall-to-Glass Application)

CAT. No. GCB182



REAR VIEW



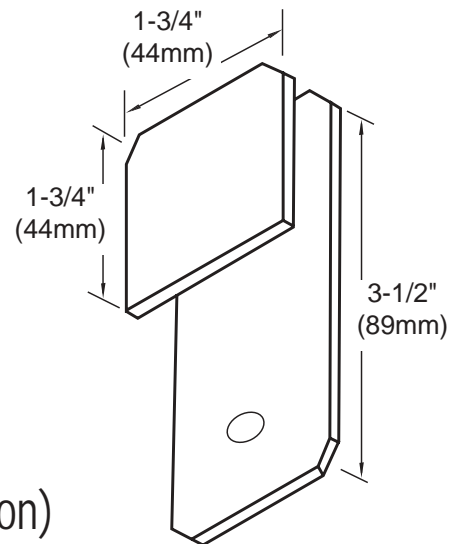
Specifications:

Material: Solid brass
Glass Thickness Range: 5/16" (8mm) to 1/2" (12mm)
Hole Size Required: 5/8" (16mm) or 3/4" (19mm)
Includes: Mounting screws and gaskets

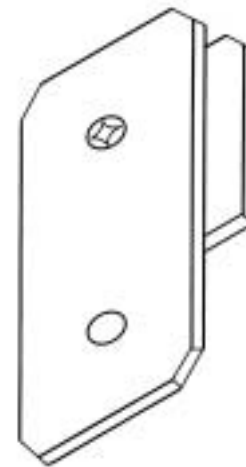
GLASS CLAMPS

180° Monaco Split Face Clamp
("Y" Inline Wall-to-Glass Application)

CAT. No. M0682



FRONT VIEW



REAR VIEW

Specifications:

Material: Solid brass
Glass Thickness Range: 1/4" (6mm) to 5/16" (8mm)
Hole Size Required: 5/8" (16mm) or 3/4" (19mm)
Includes: Mounting screws and gaskets

Template Shown on Next Page