



C.R. LAURENCE CO., INC.
PROFESSIONAL QUALITY

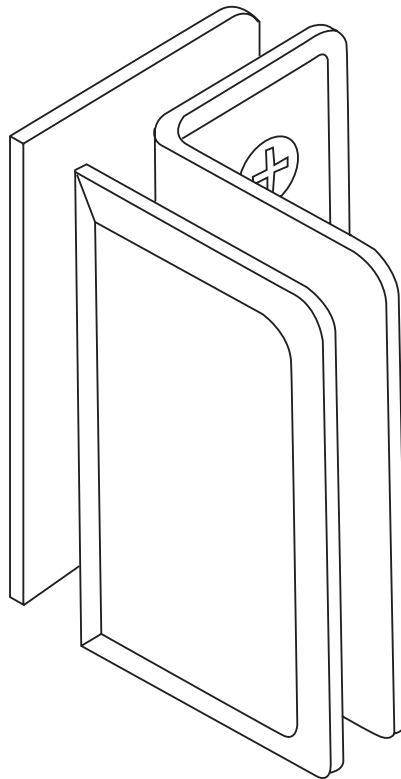
Specifications:

Material: Solid Brass

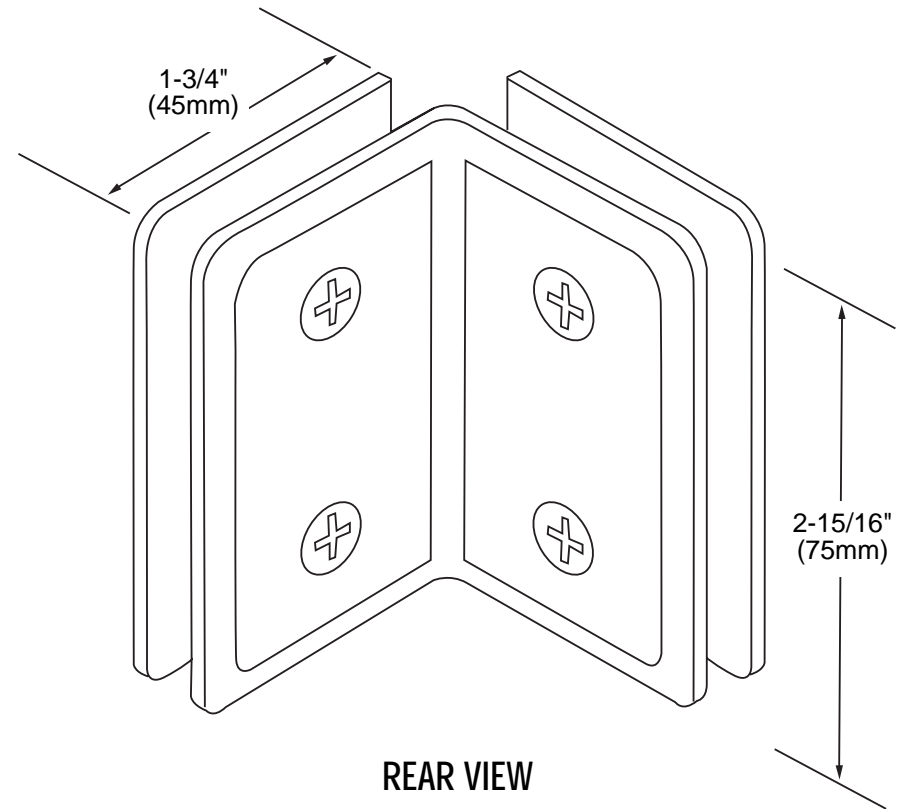
Glass Thickness: 1/4" (6mm) to 5/16" (8mm)

Hole Size Required: 3/4" (19mm)

Includes: Mounting screws and gaskets



FRONT VIEW



REAR VIEW

GLASS CLAMPS

Trianon Glass Bracket

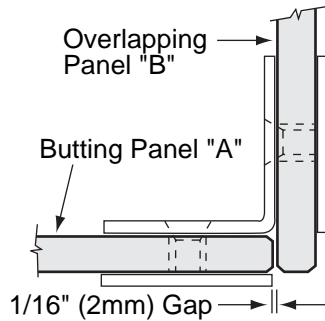
CAT No. TR090S

Template Shown on Next Page

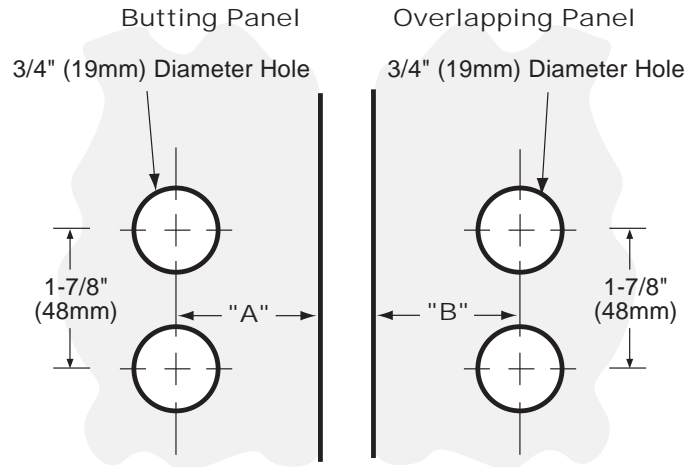


TYPICAL INSTALLATION

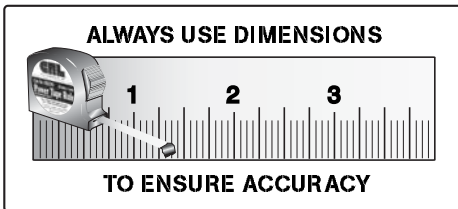
Important:
Project measurements from the edge of the glass.



TEMPLATE OPTION FOR SQUARE CUT GLASS



Glass Thickness	"A" Measurement	"B" Measurement
1/4" (6mm)	1-1/4" (32mm)	1-1/2" (38mm)
5/16" (8mm)	1-1/4" (32mm)	1-9/16" (40mm)



GLASS CLAMPS

THE ABOVE TEMPLATE OPTIONS APPLY

TO THE FOLLOWING CLAMPS:

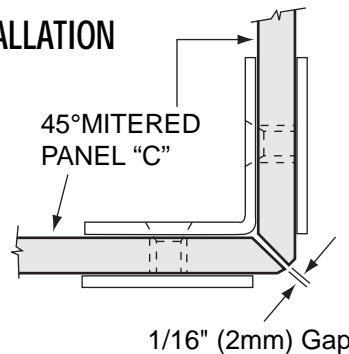
90° Glass Bracket

CAT. No. TR090

Trianon Glass Bracket

TYPICAL INSTALLATION

Important:
Project measurements from the outside of the mitered glass.



Glass Thickness	"C"* Measurement
1/4" (6mm)	1-7/16" (37mm)
5/16" (8mm)	1-1/2" (38mm)

*From outside edge of miter

TEMPLATE OPTION FOR 45° MITERED GLASS

