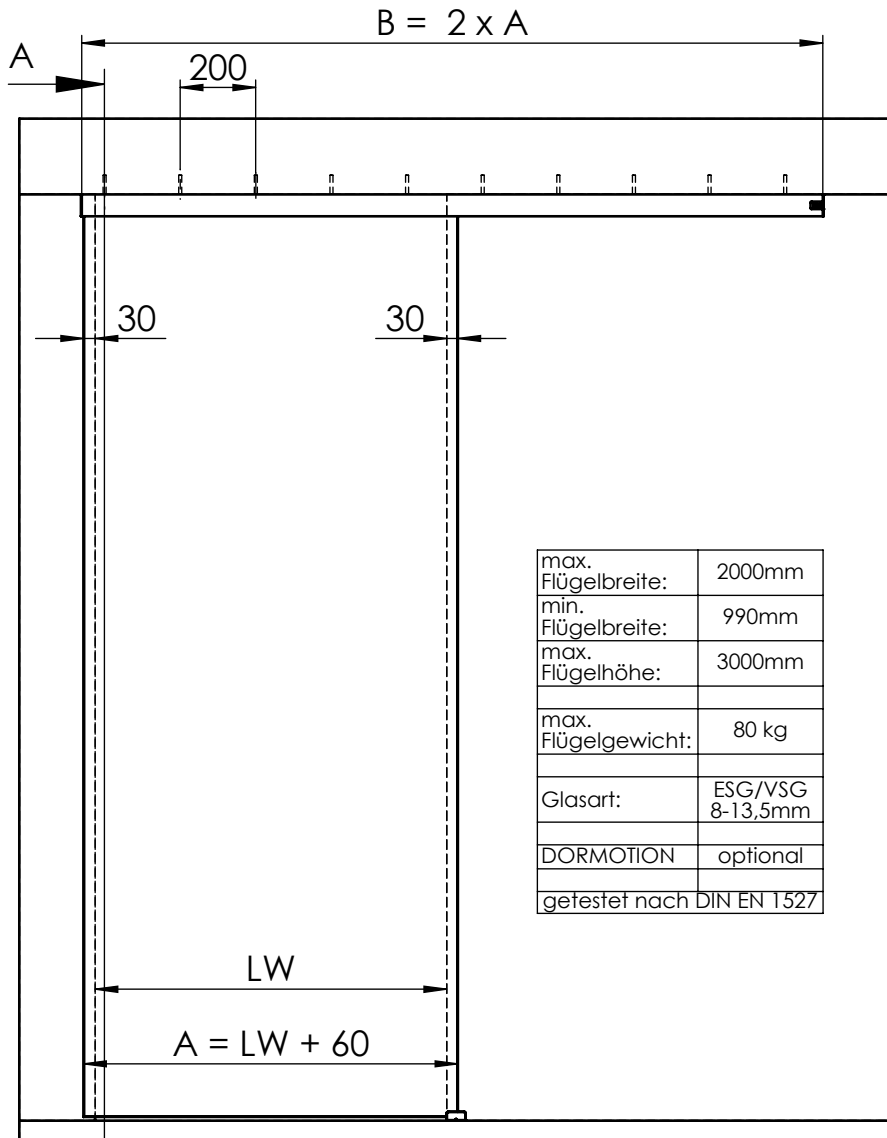


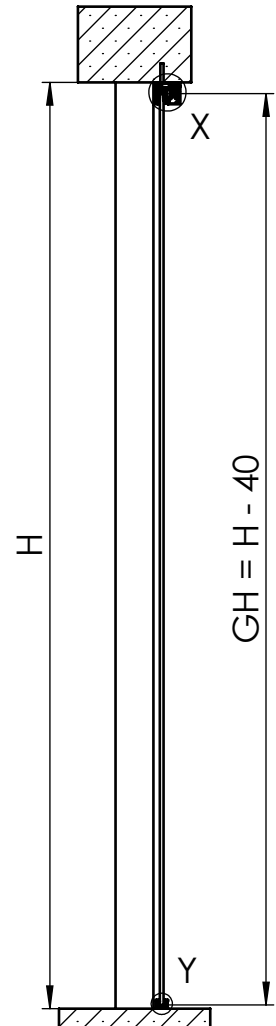
# MUTO Comfort L DORMOTION 80 Deckenmontage



36.302  
36.303  
36.321

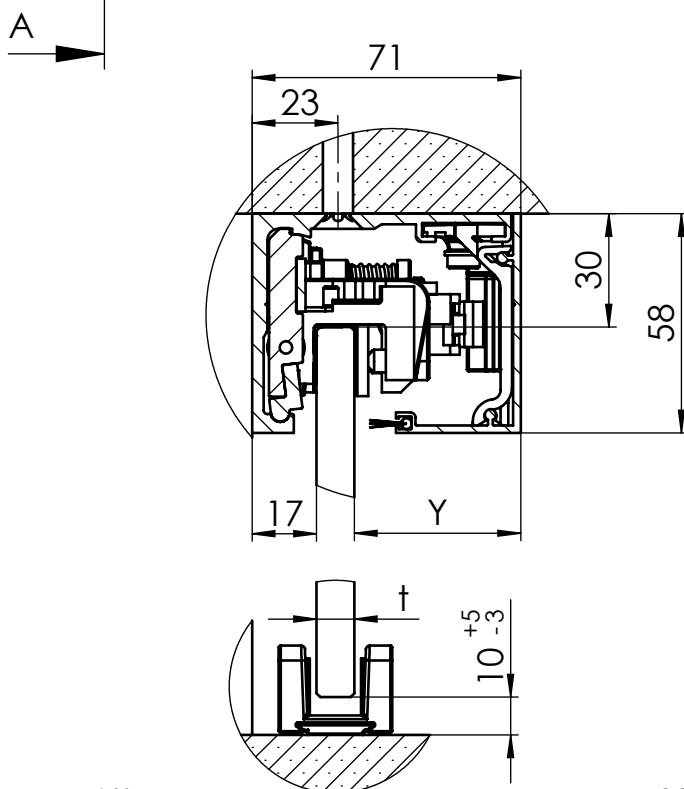


|                           |                     |
|---------------------------|---------------------|
| max. Flügelbreite:        | 2000mm              |
| min. Flügelbreite:        | 990mm               |
| max. Flügelhöhe:          | 3000mm              |
| max. Flügelgewicht:       | 80 kg               |
| Glasart:                  | ESG/VSG<br>8-13,5mm |
| DORMOTION                 | optional            |
| getestet nach DIN EN 1527 |                     |



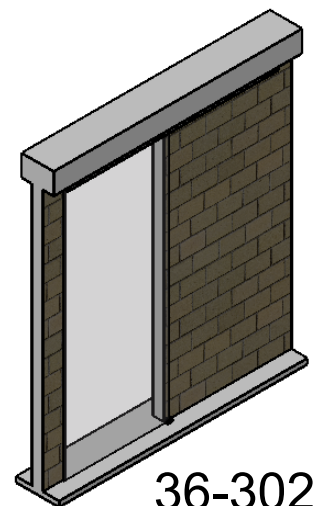
A-A

|    |                   |
|----|-------------------|
| A  | Flügelbreite      |
| B  | Laufschienenlänge |
| GH | Glashöhe          |
| H  | Gesamthöhe        |
| LW | lichte Weite      |
| t  | Glasdicke         |
| Y  | $71 - 17 - t$     |
| X  | Überstand         |



1:20

08.15

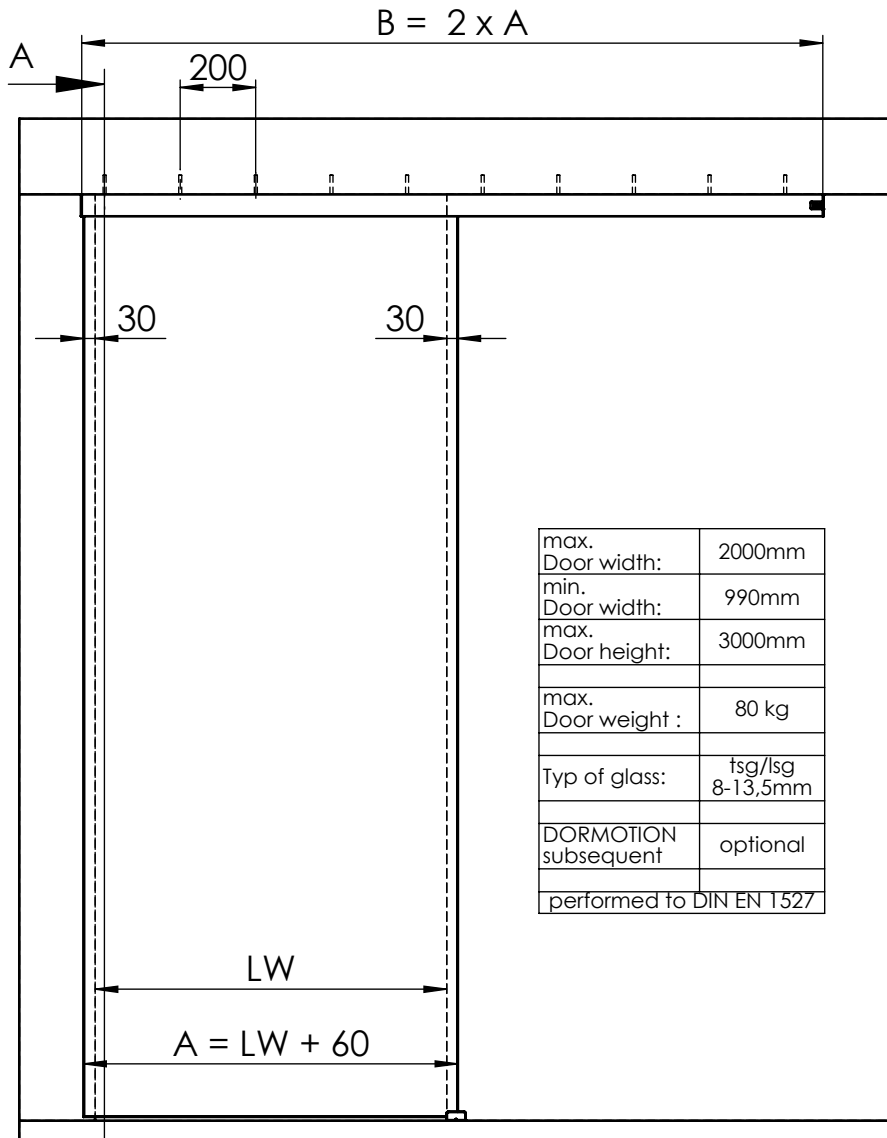


36-302

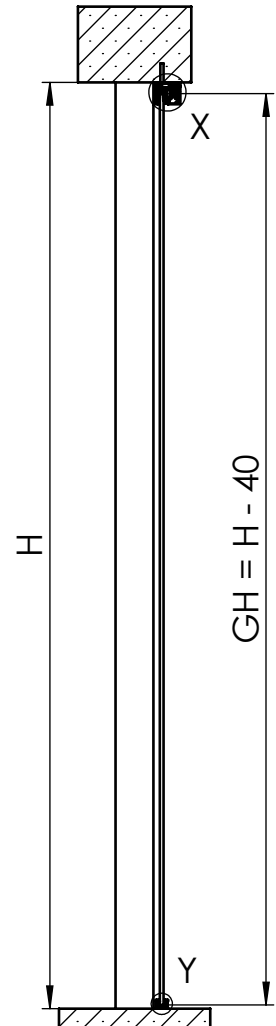
# MUTO Comfort L DORMOTION 80 fixed at ceiling



36.302  
36.303  
36.321

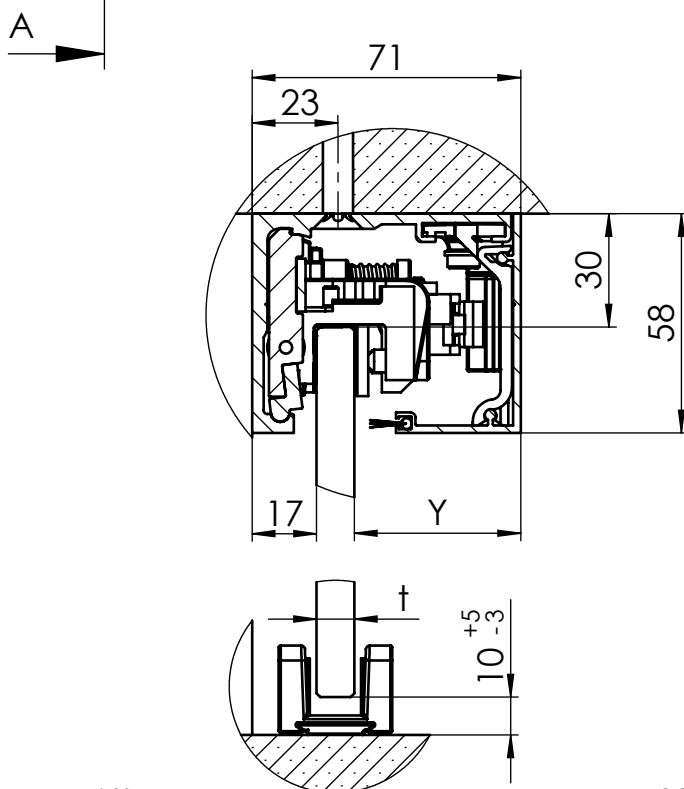


|                          |                     |
|--------------------------|---------------------|
| max. Door width:         | 2000mm              |
| min. Door width:         | 990mm               |
| max. Door height:        | 3000mm              |
| max. Door weight :       | 80 kg               |
| Typ of glass:            | tsg/lsg<br>8-13,5mm |
| DORMOTION subsequent     | optional            |
| performed to DIN EN 1527 |                     |



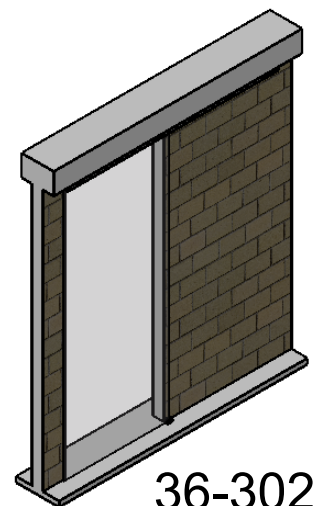
A-A

|    |                     |
|----|---------------------|
| A  | Glass width         |
| B  | length of track     |
| GH | Glass height        |
| H  | total height        |
| LW | clear opening width |
| t  | Glass thickness     |
| Y  | $71 - 17 - t$       |
| X  | protrusion          |



Detail X (1 : 2)

Detail Y (1 : 2)



36-302