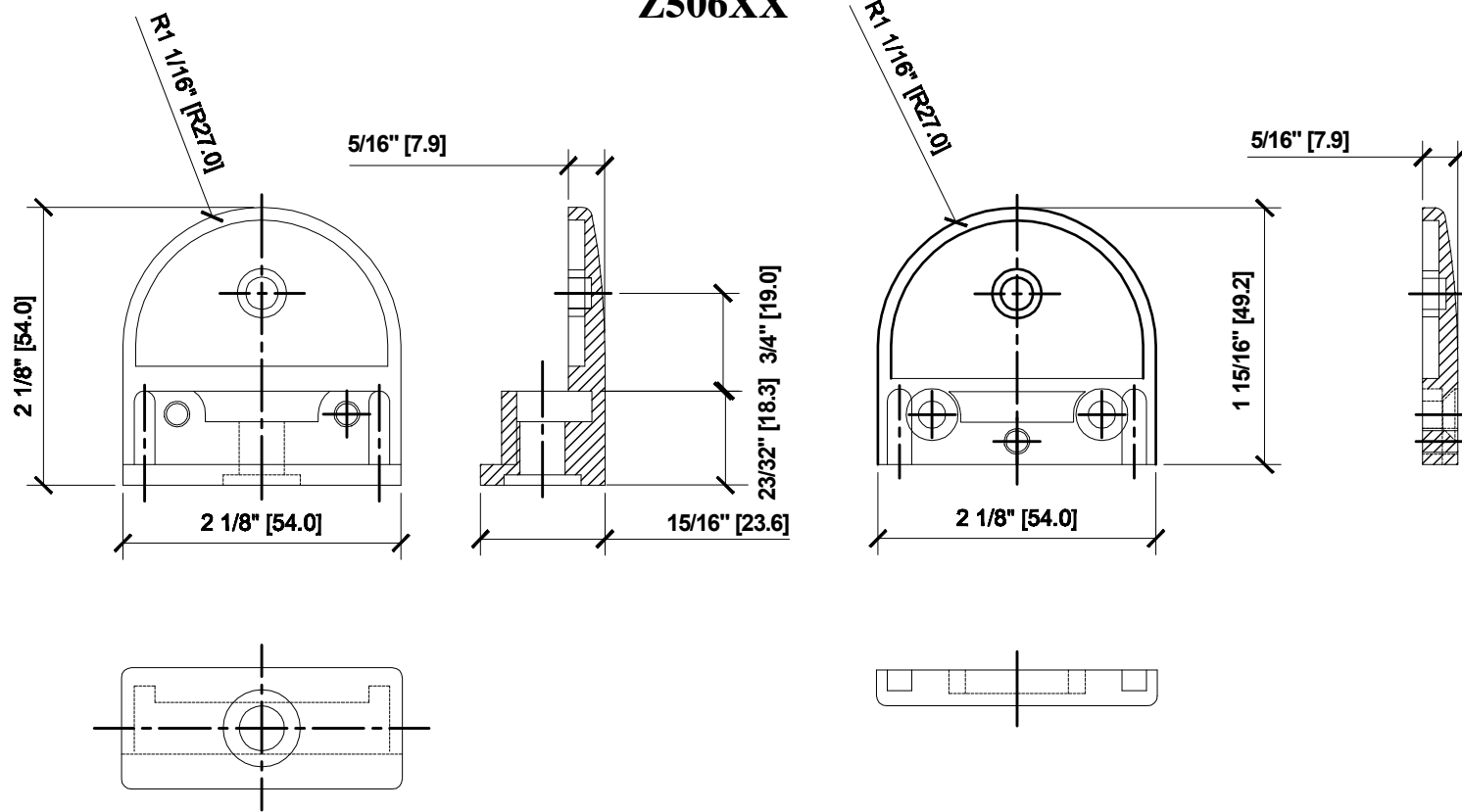


**Z-SERIES ROUND TYPE FLAT
BASE ZINC CLAMPS
FOR 1/4" AND 5/16" GLASS
CAT. NO. Z406XX
Z506XX**



GLASS FABRICATION