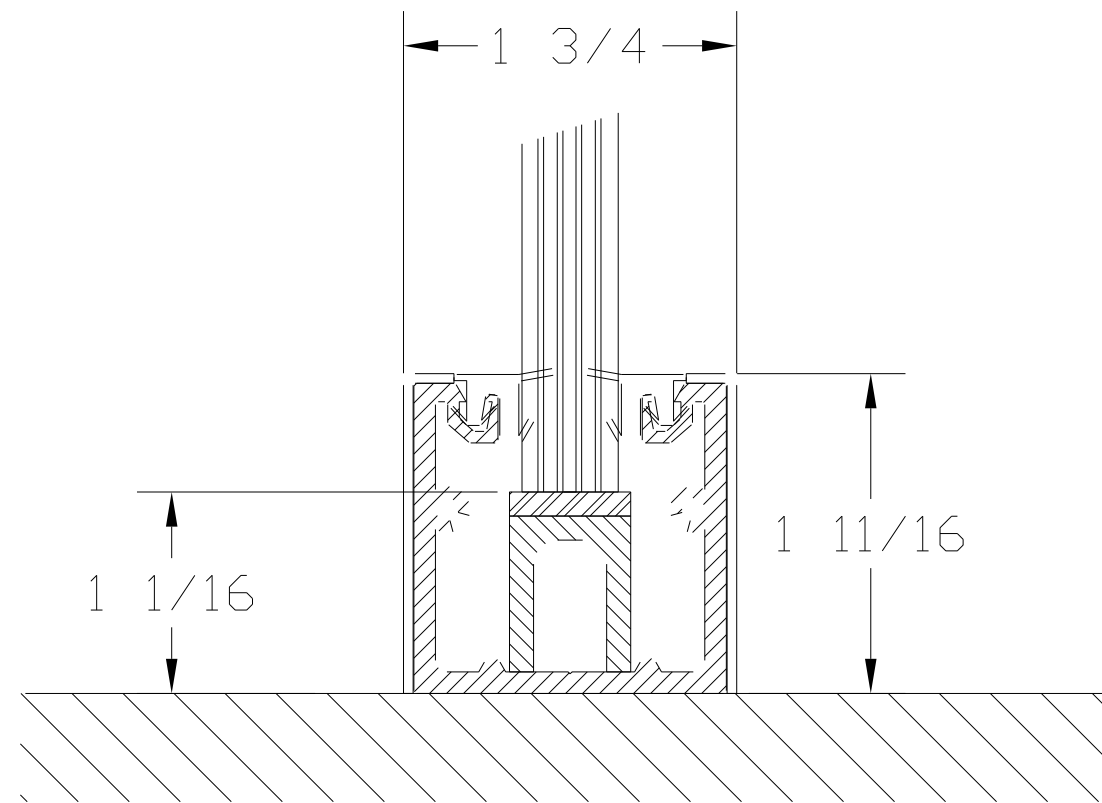
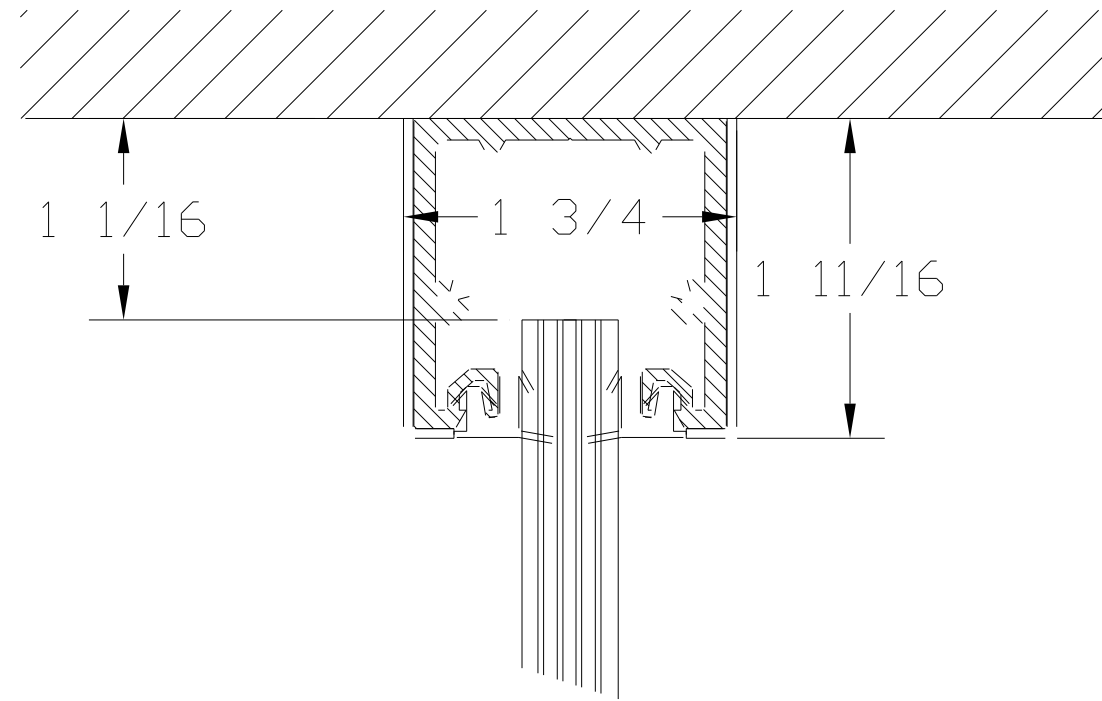


U CHANNEL
CLAD

DETAIL DRAWING #
UCCGP



U-CHANNEL WITH SETTING BLOCK
CLAD

DETAIL DRAWING #
UCCSB