



Most Widely Accepted and Trusted

# ICC-ES Report

## ESR-3027

ICC-ES | (800) 423-6587 | (562) 699-0543 | www.icc-es.org

Reissued 12/2015  
This report is subject to renewal 12/2017.

**DIVISION: 03 00 00—CONCRETE**  
**SECTION: 03 16 00—CONCRETE ANCHORS**  
**DIVISION: 05 00 00—METALS**  
**SECTION: 05 05 19—POST-INSTALLED CONCRETE ANCHORS**

**REPORT HOLDER:**

**HILTI, INC.**

**7250 DALLAS PARKWAY, SUITE 1000  
PLANO, TEXAS 75024**

**EVALUATION SUBJECT:**

**HILTI KWIK HUS-EZ (KH-EZ) AND KWIK HUS-EZ I (KH-EZ I) CARBON STEEL SCREW ANCHORS FOR USE IN CRACKED AND UNCRACKED CONCRETE**



Look for the trusted marks of Conformity!

*“2014 Recipient of Prestigious Western States Seismic Policy Council (WSSPC) Award in Excellence”*



*ICC-ES Evaluation Reports are not to be construed as representing aesthetics or any other attributes not specifically addressed, nor are they to be construed as an endorsement of the subject of the report or a recommendation for its use. There is no warranty by ICC Evaluation Service, LLC, express or implied, as to any finding or other matter in this report, or as to any product covered by the report.*



# ICC-ES Evaluation Report

**ESR-3027**

Reissued December 2015

Revised February 2016

This report is subject to renewal December 2017.

[www.icc-es.org](http://www.icc-es.org) | (800) 423-6587 | (562) 699-0543

A Subsidiary of the International Code Council®

**DIVISION: 03 00 00—CONCRETE**  
**Section: 03 16 00—Concrete Anchors**

**DIVISION: 05 00 00—METALS**  
**Section: 05 05 19—Post-Installed Concrete Anchors**

**REPORT HOLDER:**

**HILTI, INC.**  
 7250 DALLAS PARKWAY, SUITE 1000  
 PLANO, TEXAS 75024  
 (800) 879-8000  
[www.us.hilti.com](http://www.us.hilti.com)  
[HiltiTechEng@us.hilti.com](mailto:HiltiTechEng@us.hilti.com)

**EVALUATION SUBJECT:**

**HILTI KWIK HUS-EZ (KH-EZ) AND KWIK HUS-EZ I (KH-EZ I) CARBON STEEL SCREW ANCHORS FOR USE IN CRACKED AND UNCRACKED CONCRETE**

**1.0 EVALUATION SCOPE**
**Compliance with the following codes:**

- 2015, 2012, 2009, and 2006 *International Building Code*® (IBC)
- 2015, 2012, 2009, and 2006 *International Residential Code*® (IRC)
- 2013 *Abu Dhabi International Building Code* (ADIBC)<sup>†</sup>

<sup>†</sup>The ADIBC is based on the 2009 IBC. 2009 IBC code sections referenced in this report are the same sections in the ADIBC.

**Property evaluated:**

Structural

**2.0 USES**

The Hilti KWIK HUS-EZ (KH-EZ) screw anchors are used to resist static, wind and seismic tension and shear loads in cracked and uncracked normal-weight and lightweight concrete having a specified strength,  $f'_c$ , of 2,500 psi to 8,500 psi (17.2 MPa to 58.6 MPa); and cracked and uncracked normal-weight or sand-lightweight concrete over steel deck having a minimum specified compressive strength,  $f'_c$ , of 3,000 psi (20.7 MPa) [minimum of 24 MPa is required under ADIBC Appendix L, Section 5.1.1].

The KWIK HUS-EZ I (KH-EZ I) screw anchors are used to resist static, wind and seismic tension and shear loads only in cracked and uncracked normal-weight and lightweight concrete having a specified strength,  $f'_c$ , of

2,500 psi to 8,500 psi (17.2 MPa to 58.6 MPa); and cracked and uncracked normal-weight or sand-lightweight concrete over steel deck having a minimum specified compressive strength,  $f'_c$ , of 3,000 psi (20.7 MPa) [minimum of 24 MPa is required under ADIBC Appendix L, Section 5.1.1].

The Hilti KWIK HUS-EZ (KH-EZ) and KWIK HUS-EZ I (KH-EZ I) screw anchors are an alternative to anchors described in Section 1901.3 of the 2015 IBC, Sections 1908 and 1909 of the 2012 IBC, Sections 1911 and 1912 of the 2009 and 2006 IBC. The anchors may also be used where an engineered design is submitted in accordance with Section R301.1.3 of the IRC.

**3.0 DESCRIPTION**
**3.1 KWIK HUS-EZ (KH-EZ):**

Hilti KWIK HUS-EZ (KH-EZ) anchors are comprised of a body with hex washer head. The anchor is manufactured from carbon steel and is heat-treated. It has a minimum 0.0003-inch-thick (8  $\mu$ m) zinc coating in accordance with DIN EN ISO 4042. The anchoring system is available in a variety of lengths with nominal diameters of  $\frac{1}{4}$  inch,  $\frac{3}{8}$  inch,  $\frac{1}{2}$  inch,  $\frac{5}{8}$  inch and  $\frac{3}{4}$  inch. A typical KWIK HUS-EZ (KH-EZ) is illustrated in Figure 2.

The hex head is larger than the diameter of the anchor and is formed with serrations on the underside. The anchor body is formed with threads running most of the length of the anchor body. The anchor is installed in a predrilled hole with a powered impact wrench or torque wrench. The anchor threads cut into the concrete on the sides of the hole and interlock with the base material during installation.

**3.2 KWIK HUS-EZ I (KH-EZ I):**

The KWIK HUS-EZ I (KH-EZ I) anchors are comprised of a body with a long internally threaded ( $\frac{1}{4}$  inch or  $\frac{3}{8}$  inch internal thread) hex washer head. The anchor is manufactured from carbon steel and is heat-treated. It has a minimum 0.0003-inch-thick (8  $\mu$ m) zinc coating in accordance with DIN EN ISO 4042. The anchoring system is available in two lengths and a nominal diameter of  $\frac{1}{4}$  inch. A typical KWIK HUS-EZ I (KH-EZ I) is illustrated in Figure 3.

The over-sized hex head is larger than the diameter of the anchor and is formed with serrations on the underside. The anchor body is formed with threads running most of the length of the anchor body. The anchor is installed in a predrilled hole with a powered impact wrench or torque wrench directly to the supporting member surface. The anchor threads cut into the concrete on the sides of the hole and interlock with the base material during installation.

Shear design values in this report for the KWIK HUS EZ I (KH-EZ I) are for threaded inserts with  $F_u$  equal to or greater than 125 ksi. For use with inserts with  $F_u$  less than 125 ksi, the shear values are multiplied by the ratio of  $F_u$  of insert and 125 ksi.

### 3.3 Concrete:

Normal-weight and lightweight concrete must conform to Sections 1903 and 1905 of the IBC.

### 3.4 Steel Deck Panels:

Steel deck panels must comply with the configurations in Figure 5 and have a minimum base steel thickness of 0.035 inch (0.889 mm). Steel must comply with ASTM A653/A653M SS Grade 33 and have a minimum yield strength of 33,000 psi (228 MPa).

## 4.0 DESIGN AND INSTALLATION

### 4.1 Strength Design:

**4.1.1 General:** Design strength of anchors complying with the 2015 IBC, as well as Section R301.1.3 of the 2015 IRC must be determined in accordance with ACI 318-14 Chapter 17 and this report.

Design strength of anchors complying with the 2012 IBC as well as Section R301.1.3 of the 2012 IRC must be determined in accordance with ACI 318-11 Appendix D and this report.

Design strength of anchors complying with the 2009 IBC and Section R301.1.3 of the 2009 IRC must be determined in accordance with ACI 318-08 Appendix D and this report.

Design strength of anchors complying with the 2006 IBC and 2006 IRC must be in accordance with ACI 318-05 Appendix D and this report.

Design parameters provided in Table 2 through Table 7 of this report are based on the 2015 IBC (ACI 318-14) and 2012 IBC (ACI 318-11) unless noted otherwise in Sections 4.1.1 through 4.1.12.

The strength design of anchors must comply with ACI 318-14 17.3.1 or ACI 318-11 D.4.1, as applicable, except as required in ACI 318-14 17.2.3 or ACI 318-11 D.3.3, as applicable. Strength reduction factors,  $\phi$ , as given in ACI 318-14 17.3.3 or ACI 318-11 D.4.3, as applicable, and noted in Tables 3 and 4 of this report, must be used for load combinations calculated in accordance with Section 1605.2 of the IBC and Section 5.3 of ACI 318-14 or Section 9.2 of ACI 318-11, as applicable. Strength reduction factors,  $\phi$ , as given in ACI 318-11 D.4.4 must be used for load combinations calculated in accordance with ACI 318-11 Appendix C.

The value of  $f'_c$  used in the calculations must be limited to a maximum of 8,000 psi (55.2 MPa), in accordance with ACI 318-14 17.2.7 or ACI 318-11 D.3.7, as applicable. An example calculation in accordance with the 2015 and 2012 IBC is provided in Figure 6.

**4.1.2 Requirements for Static Steel Strength in Tension,  $N_{sa}$ :** The nominal static steel strength,  $N_{sa}$ , of a single anchor in tension calculated in accordance with ACI 318-14 17.4.1.2 or ACI 318-11 D.5.1.2, as applicable, is given in Table 3 of this report. Strength reduction factors,  $\phi$ , corresponding to brittle steel elements must be used.

**4.1.3 Requirements for Static Concrete Breakout Strength in Tension,  $N_{cb}$  or  $N_{cbg}$ :** The nominal concrete breakout strength of a single anchor or a group of anchors in tension,  $N_{cb}$  and  $N_{cbg}$ , respectively, must be calculated in accordance with ACI 318-14 17.4.2 or ACI 318-11 D.5.2, as applicable, with modifications as described in this section. The basic concrete breakout strength of a single anchor in tension,  $N_b$ , must be calculated in accordance with ACI

318-14 17.4.2.2 or ACI 318-11 D.5.2.2, as applicable, using the values of  $h_{ef}$  and  $k_{cr}$  as given in Tables 3 and 7 of this report. The nominal concrete breakout strength in tension in regions where analysis indicates no cracking in accordance with ACI 318-14 17.4.2.6 or ACI 318-11 D.5.2.6, as applicable, must be calculated with the value of  $k_{uncr}$  as given in Table 3 and with  $\psi_{c,N} = 1.0$ .

For anchors installed in the lower or upper flute of the soffit of sand-lightweight or normal-weight concrete-filled steel deck floor and roof assemblies, as shown in Figure 5, calculation of the concrete breakout strength in accordance with ACI 318-14 17.4.2 or ACI 318-11 D.5.2, as applicable, is not required.

**4.1.4 Requirements for Static Pullout Strength in Tension,  $N_p$ :** The nominal pullout strength of a single anchor in accordance with ACI 318-14 17.4.3.1 and 17.4.3.2 or ACI 318-11 D.5.3.1 and D.5.3.2, as applicable, in cracked and uncracked concrete,  $N_{p,cr}$  and  $N_{p,uncr}$ , respectively, is given in Table 3. In lieu of ACI 318-14 17.4.3.6 or ACI 318-11 D.5.3.6, as applicable,  $\psi_{c,P} = 1.0$  for all design cases. In accordance with ACI 318-14 17.4.3 or ACI 318-11 D.5.3, as applicable, the nominal pullout strength in cracked concrete may be adjusted according to Eq.-1:

$$N_{p,f'_c} = N_{p,cr} \left( \frac{f'_c}{2,500} \right)^n \quad (\text{lb, psi}) \quad (\text{Eq-1})$$

$$N_{p,f'_c} = N_{p,cr} \left( \frac{f'_c}{17.2} \right)^n \quad (\text{N, MPa})$$

where  $f'_c$  is the specified concrete compressive strength and  $n$  is the factor defining the influence of concrete compressive strength on the pullout strength. For the  $1/4$ -inch-diameter anchor at  $1^{5/8}$  inches nominal embedment in cracked concrete,  $n$  is 0.3. For all other cases,  $n$  is 0.5.

In regions where analysis indicates no cracking in accordance with ACI 318-14 17.4.3.6 or ACI 318-11 D.5.3.6, as applicable, the nominal pullout strength in tension may be adjusted according to Eq-2:

$$N_{p,f'_c} = N_{p,uncr} \left( \frac{f'_c}{2,500} \right)^n \quad (\text{lb, psi}) \quad (\text{Eq-2})$$

$$N_{p,f'_c} = N_{p,uncr} \left( \frac{f'_c}{17.2} \right)^n \quad (\text{N, MPa})$$

where  $f'_c$  is the specified concrete compressive strength and  $n$  is the factor defining the influence of concrete compressive strength on the pullout strength. For the  $1/4$ -inch-diameter anchor at a nominal embedment of  $1^{5/8}$  inches in uncracked concrete,  $n$  is 0.3. For all other cases,  $n$  is 0.5.

Where values for  $N_{p,cr}$  or  $N_{p,uncr}$  are not provided in Table 3 of this report, the pullout strength in tension need not be considered.

The nominal pullout strength in tension of the anchors installed in the soffit of sand-lightweight or normal-weight concrete filled steel deck floor and roof assemblies, as shown in Figure 5, is provided in Table 5 for KWIK HUS-EZ and Table 6 for KWIK HUS-EZ I. In accordance with ACI 318-14 17.4.3.2 or ACI 318-11 D.5.3.2, as applicable, the nominal pullout strength in cracked concrete must be calculated according to Eq-1, whereby the value of  $N_{p,deck,cr}$  must be substituted for  $N_{p,cr}$  and the value of 3,000 psi (20.7 MPa) must be substituted for the value of 2,500 psi (17.2 MPa) in the denominator. In regions where analysis indicates no cracking in accordance with ACI 318-14 17.4.3.6 or ACI 318-11 5.3.6, as applicable, the nominal strength in uncracked concrete must be calculated according to Eq-2, whereby the value of  $N_{p,deck,uncr}$  must be substituted for  $N_{p,uncr}$  and the value of 3,000 psi (20.7 MPa) must be substituted for the value of 2,500 psi (17.2 MPa) in the denominator.

**4.1.5 Requirements for Static Steel Shear Capacity,  $V_{sa}$ :** The nominal steel strength in shear,  $V_{sa}$ , of a single anchor in accordance with ACI 318-14 17.5.1.2 or ACI 318-11 D.6.1.2, as applicable is given in Table 4 of this report and must be used in lieu of the values derived by calculation from ACI 318-14 Eq. 17.5.1.2b or ACI 318-11 Eq. D-29, as applicable. The strength reduction factor,  $\phi$ , corresponding to brittle steel elements must be used. The nominal shear strength  $V_{sa,deck}$ , of anchors installed in the soffit of sand-lightweight or normal-weight concrete filled steel deck floor and roof assemblies, as shown in Figure 5, is given in Table 5 for KWIK HUS-EZ and Table 6 for KWIK HUS-EZ I. Shear values for KWIK HUS-EZ I (KH-EZ I) are for threaded inserts with  $F_u \geq 125$  ksi. For use with inserts with  $F_u$  less than 125 ksi, the shear values are multiplied by the ratio of  $F_u$  of insert and 125 ksi.

**4.1.6 Requirements for Static Concrete Breakout Strength in Shear,  $V_{cb}$  or  $V_{cbg}$ :** The nominal concrete breakout strength of a single anchor or group of anchors in shear,  $V_{cb}$  or  $V_{cbg}$ , respectively, must be calculated in accordance with ACI 318-14 17.5.2 or ACI 318-11 D.6.2, as applicable, with modifications as described in this section. The basic concrete breakout strength in shear,  $V_b$ , must be calculated in accordance with ACI 318-14 17.5.2.2 or ACI 318-11 D.6.2.2, as applicable, using the values of  $\ell_e$  and  $d_a$  ( $d_o$ ) given in Table 4.

For anchors installed in the lower or upper flute of the soffit of sand-lightweight or normal-weight concrete-filled steel deck floor and roof assemblies, as shown in Figure 5, calculation of the concrete breakout strength in accordance with ACI 318-14 17.5.2 or ACI 318-11 D.6.2 is not required.

**4.1.7 Requirements for Static Concrete Pryout Strength in Shear,  $V_{cp}$  or  $V_{cpg}$ :** The nominal concrete pryout strength of a single anchor or group of anchors,  $V_{cp}$  or  $V_{cpg}$ , respectively, must be calculated in accordance with ACI 318-14 17.5.3 or ACI 318-11 D.6.3, as applicable, using the coefficient for pryout strength,  $k_{cp}$  provided in Table 4 and the value of  $N_{cb}$  or  $N_{cbg}$  as calculated in Section 4.1.3 of this report.

For anchors installed in the lower or upper flute of the soffit of sand-lightweight or normal-weight concrete-filled steel deck floor and roof assemblies, as shown in Figure 5, calculation of the concrete pryout strength in accordance with ACI 318-14 17.5.3 or ACI 318-11 D.6.3 is not required.

#### 4.1.8 Requirements for Seismic Design:

**4.1.8.1 General:** For load combinations including seismic, the design must be in accordance with ACI 318-14 17.2.3 or ACI 318-11 D.3.3, as applicable. Modifications to ACI 318-14 17.2.3 shall be applied under Section 1905.1.8 or the 2015 IBC. For the 2012 IBC, Section 1905.1.9 shall be omitted. Modifications to ACI 318 (-08, -05) D.3.3 shall be applied under Section 1908.1.9 of the 2009 IBC, or Section 1908.1.16 of the 2006 IBC, as applicable.

The anchors comply with ACI 318-14 2.3 or ACI 318-11 D.1, as applicable, as brittle steel elements and must be designed in accordance with ACI 318-14 17.2.3.4 or 17.2.3.5; ACI 318-11 D.3.3.4 or D.3.3.5; ACI 318-08 D.3.3.5 or D.3.3.6; or ACI 318-05 D.3.3.5, as applicable.

**4.1.8.2 Seismic Tension:** The nominal steel strength and nominal concrete breakout strength for anchors in tension must be calculated in accordance with ACI 318-14 17.4.1 and 17.4.2 or ACI 318-11 D.5.1 and D.5.2, respectively, as applicable, as described in Sections 4.1.2 and 4.1.3 of this report. In accordance with ACI 318-14 17.4.3.2 or ACI 318-11 D.5.3.2, as applicable, the appropriate value for pullout strength in tension for seismic loads,  $N_{p,eq}$  or  $N_{p,deck,cr}$  described in Tables 3 and 5 for KWIK HUS-EZ, respectively;

and in Tables 3 and 6 for KWIK HUS-EZ I, respectively, must be used in lieu of  $N_p$ .  $N_{p,eq}$  or  $N_{p,deck,cr}$  may be adjusted by calculations for concrete compressive strength in accordance with Eq-1 of this report in addition for concrete-filled steel deck floor and roof assemblies the value of 3,000 psi (20.7 MPa) must be substituted for the value of 2,500 psi (17.2 MPa) in the denominator. Where values for  $N_{p,eq}$  are not provided in Table 3 of this report, the pullout strength in tension for seismic loads need not be evaluated.

**4.1.8.3 Seismic Shear:** The nominal concrete breakout strength and pryout strength in shear must be calculated in accordance with ACI 318-14 17.5.2 and 17.5.3 or ACI 318-11 D.6.2 and D.6.3, respectively, as applicable, as described in Sections 4.1.6 and 4.1.7 of this report. In accordance with ACI 318-14 17.5.1.2 or ACI 318-11 D.6.1.2, as applicable, the appropriate value for nominal steel strength for seismic loads,  $V_{sa,eq}$  or  $V_{sa,deck,eq}$  described in Tables 4 and 5 for KWIK HUS-EZ, respectively; and in Tables 4 and 6 for KWIK HUS-EZ I, respectively, must be used in lieu of  $V_{sa}$ .

**4.1.9 Requirements for Interaction of Tensile and Shear Forces:** For anchors or groups of anchors that are subject to the effects of combined tensile and shear forces, the design must be determined in accordance with ACI 318-14 17.6 or ACI 318-11 D.7, as applicable.

**4.1.10 Requirements for Minimum Member Thickness, Minimum Anchor Spacing and Minimum Edge Distance:** In lieu of ACI 318-14 17.7.1 and 17.7.3 or ACI 318-11 D.8.1 and D.8.3, as applicable, values of  $s_{min}$  and  $c_{min}$ , respectively, as given in Table 2 of this report must be used. In lieu of ACI 318-14 17.7.5 or ACI 318-11 D.8.5, as applicable, minimum member thicknesses,  $h_{min}$  as given in Table 2 must be used. Additional combinations for minimum edge distance,  $c_{min}$ , and minimum spacing distance,  $s_{min}$ , may be derived by linear interpolation between the given boundary values as defined in Table 2 of this report.

For anchors installed through the soffit of steel deck assemblies, the anchors must be installed in accordance with Figure 5 and shall have an axial spacing along the flute equal to the greater of  $3h_{ef}$  or 1.5 times the flute width.

For  $\frac{1}{4}$ -inch and  $\frac{3}{8}$ -inch KWIK HUS-EZ (KH-EZ) anchors installed on the top of steel deck assemblies, values of  $C_{ac,deck,top}$ ,  $s_{min,deck,top}$ , and  $c_{min,deck,top}$ , as given in Table 7 of this report must be used.

**4.1.11 Requirements for Critical Edge Distance,  $c_{ac}$ :** In applications where  $c < c_{ac}$  and supplemental reinforcement to control splitting of the concrete is not present, the concrete breakout strength in tension for uncracked concrete, calculated in accordance with ACI 318-14 17.4.2 or ACI 318-11 D.5.2, as applicable, must be further multiplied by the factor  $\Psi_{cp,N}$  as given by Eq-3:

$$\Psi_{cp,N} = \frac{c}{c_{ac}} \quad (\text{Eq-3})$$

where the factor  $\Psi_{cp,N}$  need not be taken as less than  $\frac{1.5h_{ef}}{c_{ac}}$ . For all other cases,  $\Psi_{cp,N} = 1.0$ . In lieu of using ACI 318-14 17.7.6 or ACI 318-11 D.8.6, as applicable, values of  $c_{ac}$  must comply with Tables 3 and 7.

**4.1.12 Lightweight Concrete:** For the use of anchors in lightweight concrete, the modification factor  $\lambda_a$  equal to 0.8 $\lambda$  is applied to all values of  $\sqrt{f'_c}$  affecting  $N_n$  and  $V_n$ .

For ACI 318-14 (2015 IBC), ACI 318-11 (2012 IBC) and ACI 318-08 (2009 IBC),  $\lambda$  shall be determined in accordance with the corresponding version of ACI 318.

For ACI 318-05 (2006 IBC),  $\lambda$  shall be taken as 0.75 for all lightweight concrete and 0.85 for sand-lightweight concrete. Linear interpolation shall be permitted if partial sand replacement is used. In addition, the pullout strengths  $N_{p,cr}$ ,  $N_{p,uncr}$ , and  $N_{eq}$  shall be multiplied by the modification factor,  $\lambda_a$ , as applicable.

For anchors installed in the soffit of sand-lightweight concrete-filled steel deck and floor and roof assemblies, further reduction of the pullout values provided in this report is not required.

#### 4.2 Allowable Stress Design (ASD):

**4.2.1 General:** Design values for use with allowable stress design load combinations calculated in accordance with Section 1605.3 of the IBC must be established using the following equations:

$$T_{allowable,ASD} = \frac{\phi N_n}{\alpha} \quad (\text{Eq-4})$$

$$V_{allowable,ASD} = \frac{\phi V_n}{\alpha} \quad (\text{Eq-5})$$

where:

$T_{allowable,ASD}$  = Allowable tension load (lb, N)

$V_{allowable,ASD}$  = Allowable shear load (lb, N)

$\phi N_n$  = Lowest design strength of an anchor or anchor group in tension as determined in accordance with ACI 318-14 Chapter 17 and 2015 IBC Section 1905.1.8, ACI 318-11 Appendix D, ACI 318-08 Appendix D and 2009 IBC Section 1908.1.9, ACI 318-05 Appendix D and 2006 IBC Section 1908.1.16, and Section 4.1 of this report, as applicable.

$\phi V_n$  = Lowest design strength of an anchor or anchor group in shear as determined in accordance with ACI 318-14 Chapter 17 and 2015 IBC Section 1905.1.8, ACI 318-11 Appendix D, ACI 318-08 Appendix D and 2009 IBC Section 1908.1.9, ACI 318-05 and 2006 IBC Section 1908.1.16, and Section 4.1 of this report, as applicable.

$\alpha$  = Conversion factor calculated as a weighted average of the load factors for the controlling load combination. In addition,  $\alpha$  must include all applicable factors to account for nonductile failure modes and required over-strength.

Limits on edge distance, anchor spacing and member thickness as given in Table 2 of this report must apply. An example of Allowable Stress Design tension values is given in Table 8 and Figure 6.

**4.2.2 Interaction of Tensile and Shear Forces:** The interaction must be calculated and consistent with ACI 318-14 17.6 or ACI 318 (-11, -08, -05) D.7, as follows:

For shear loads  $V_{applied} \leq 0.2V_{allowable,ASD}$ , the full allowable load in tension  $T_{allowable,ASD}$  shall be permitted.

For tension loads  $T_{applied} \leq 0.2T_{allowable,ASD}$ , the full allowable load in shear  $V_{allowable,ASD}$  shall be permitted.

For all other cases:

$$\frac{T_{applied}}{T_{allowable,ASD}} + \frac{V_{applied}}{V_{allowable,ASD}} \leq 1.2 \quad (\text{Eq-6})$$

#### 4.3 Installation:

Installation parameters are provided in Tables 1, 2 and 7 and Figures 1, 4A, 4B and 5. Anchor locations must comply with this report and plans and specifications approved by the code official. The Hilti KWIK HUS-EZ (KH-EZ) and

KWIK HUS-EZ I (KH-EZ I) must be installed in accordance with the manufacturer's published instructions and this report. In case of conflict, this report governs. Anchors must be installed in holes drilled into concrete perpendicular to the surface using carbide-tipped masonry drill bits complying with ANSI B212.15-1994. The nominal drill bit diameter must be equal to that of the anchor. The minimum drilled hole depth is given in Table 2. Prior to installation, dust and debris must be removed from the drilled hole using a hand pump, compressed air or a vacuum. The anchor must be installed into the predrilled hole using a powered impact wrench or installed with a torque wrench until the proper nominal embedment depth is obtained. The maximum impact wrench torque,  $T_{impact,max}$  and maximum installation torque,  $T_{inst,max}$  for the manual torque wrench must be in accordance with Table 2. The KWIK HUS-EZ (KH-EZ) and KWIK HUS-EZ I (KH-EZ I) may be loosened by a maximum of one turn and retightened with a torque wrench or powered impact wrench to facilitate fixture attachment or realignment. Complete removal and reinstallation of the anchor is not allowed.

For installation in the soffit of concrete on steel deck assemblies, the hole diameter in the steel deck must not exceed the diameter of the hole in the concrete by more than  $\frac{1}{8}$  inch (3.2 mm). For member thickness and edge distance restrictions for installations into the soffit of concrete on steel deck assemblies, see Figure 5.

For installation of  $\frac{1}{4}$ -inch and  $\frac{3}{8}$ -inch KWIK HUS-EZ (KH-EZ) anchors on the top of steel deck assemblies, see Table 7 for installation setting information.

#### 4.4 Special Inspection:

Periodic special inspection is required, in accordance with Section 1705.1.1 and Table 1705.3 of the 2015 IBC and 2012 IBC; Section 1704.15 of the 2009 IBC; or Section 1704.13 of the 2006 IBC, as applicable. The special inspector must be on the site periodically during anchor installation to verify anchor type, anchor dimensions, hole dimensions, concrete type, concrete compressive strength, drill bit type and size, hole dimensions, hole cleaning procedures, anchor spacing(s), edge distance(s), concrete member thickness, anchor embedment, installation torque, impact wrench power and adherence to the manufacturer's printed installation instructions and the conditions of this report (in case of conflict, this report governs). The special inspector must be present as often as required in accordance with the "statement of special inspection." Under the IBC, additional requirements as set forth in Sections 1705, 1706 and 1707 must be observed, where applicable.

### 5.0 CONDITIONS OF USE

The Hilti KWIK HUS-EZ (KH-EZ) and KWIK HUS-EZ I (KH-EZ I) concrete anchors described in this report are suitable alternatives to what is specified in, those codes listed in Section 1.0 of this report, subject to the following conditions:

- 5.1 The anchors must be installed in accordance with the manufacturer's published installation instructions and this report. In case of conflict, this report governs.
- 5.2 Anchor sizes, dimensions, and minimum embedment depths are as set forth in this report.
- 5.3 Anchors must be installed in accordance with Section 4.3 of this report in uncracked or cracked normal-weight concrete and lightweight concrete having a specified compressive strength,  $f'_c$ , of 2,500 psi to 8,500 psi (17.2 MPa to 58.6 MPa) [minimum of 24 MPa is required under ADIBC Appendix L, Section 5.1.1], and cracked and uncracked normal-weight or

sand-lightweight concrete over metal deck having a minimum specified compressive strength,  $f'_c$ , of 3,000 psi (20.7 MPa) [minimum of 24 MPa is required under ADIBC Appendix L, Section 5.1.1].

- 5.4 The value of  $f'_c$  used for calculation purposes must not exceed 8,000 psi (55.2 MPa).
- 5.5 Strength design values must be established in accordance with Section 4.1 of this report.
- 5.6 Allowable stress design values must be established in accordance with Section 4.2 of this report.
- 5.7 Anchor spacing(s) and edge distance(s), and minimum member thickness, must comply with Table 2 and Figure 5 of this report.
- 5.8 Reported values for the KWIK HUS-EZ I (KH-EZ I) with an internally threaded hex washer head do not consider the steel insert element which must be verified by the design professional. Shear design values in this report for the KWIK HUS-EZ I (KH-EZ I) are for threaded inserts with  $F_u$  equal to or greater than 125 ksi. For use with inserts with  $F_u$  less than 125 ksi, the shear values are multiplied by the ratio of  $F_u$  of insert and 125 ksi.
- 5.9 Prior to installation, calculations and details demonstrating compliance with this report must be submitted to the code official. The calculations and details must be prepared by a registered design professional where required by the statutes of the jurisdiction in which the project is to be constructed.
- 5.10 Since an ICC-ES acceptance criteria for evaluating data to determine the performance of anchors subjected to fatigue or shock loading is unavailable at this time, the use of these anchors under such conditions is beyond the scope of this report.
- 5.11 Anchors may be installed in regions of concrete where cracking has occurred or where analysis indicates cracking may occur ( $f_t > f_{cr}$ ), subject to the conditions of this report.
- 5.12 Anchors may be used to resist short-term loading due to wind or seismic forces, subject to the conditions of this report.
- 5.13 Anchors are not permitted to support fire-resistance-rated construction. Where not otherwise prohibited in the code, anchors are permitted for use with fire-resistance-rated construction provided that at least one of the following conditions is fulfilled:
  - Anchors are used to resist wind or seismic forces only.
  - Anchors that support gravity load-bearing structural elements are within a fire-resistance-rated envelope or a fire-resistance-rated membrane, are protected by approved fire-resistance-rated materials, or have been evaluated for resistance to fire exposure in accordance with recognized standards.
  - Anchors are used to support nonstructural elements.
- 5.14 Anchors have been evaluated for reliability against brittle failure and found to be not significantly sensitive to stress-induced hydrogen embrittlement.
- 5.15 Use of carbon steel anchors is limited to dry, interior locations.
- 5.16 Special inspection must be provided in accordance with Sections 4.4.
- 5.17 KWIK HUS-EZ (KH-EZ) and KWIK HUS-EZ I (KH-EZ I) anchors are manufactured by Hilti AG, under a quality control program with inspections by ICC-ES.

## 6.0 EVIDENCE SUBMITTED

Data in accordance with the ICC-ES Acceptance Criteria for Mechanical Anchors in Concrete Elements (AC193), dated October 2015, which incorporates requirements in ACI 355.2-07 / ACI 355.2-04, for use in cracked and uncracked concrete; and quality control documentation.

## 7.0 IDENTIFICATION

The HILTI KWIK HUS-EZ (KH-EZ) and KWIK HUS-EZ I (KH-EZ I) anchors are identified by packaging with the manufacturer's name (Hilti, Inc.) and contact information, anchor name, anchor size, and evaluation report number (ESR-3027). The anchors with hex washer head have KH-EZ, HILTI, and anchor size and anchor length embossed on the anchor head. Identifications are visible after installation, for verification.

TABLE 1—KWIK HUS-EZ (KH-EZ) AND KWIK HUS-EZ I (KH-EZ I) PRODUCT INFORMATION

Name and Size	Diameter	Total Length - under the anchor head ( $l_{anch}$ )	Minimum Nominal Embedment ( $h_{nom}$ )
KH-EZ $\frac{1}{4}$ " x1 $\frac{5}{8}$ " I $\frac{1}{4}$ "	$\frac{1}{4}$ " ( $\frac{1}{4}$ " UNC-20 –Internal Thread Length - .375")	$1\frac{5}{8}$ "	$1\frac{5}{8}$ "
KH-EZ $\frac{1}{4}$ " x1 $\frac{5}{8}$ " I $\frac{3}{8}$ "	$\frac{1}{4}$ " ( $\frac{3}{8}$ " UNC-16 –Internal Thread Length - .453")	$1\frac{5}{8}$ "	$1\frac{5}{8}$ "
KH-EZ $\frac{1}{4}$ " x2 $\frac{1}{2}$ " I $\frac{1}{4}$ "	$\frac{1}{4}$ " ( $\frac{1}{4}$ " UNC-20 –Internal Thread Length - .375")	$2\frac{1}{2}$ "	$2\frac{1}{2}$ "
KH-EZ $\frac{1}{4}$ " x2 $\frac{1}{2}$ " I $\frac{3}{8}$ "	$\frac{1}{4}$ " ( $\frac{3}{8}$ " UNC-16 –Internal Thread Length - .453")	$2\frac{1}{2}$ "	$2\frac{1}{2}$ "
KH-EZ $\frac{1}{4}$ "x1 $\frac{7}{8}$ "	$\frac{1}{4}$ "	$1\frac{7}{8}$ "	$1\frac{5}{8}$ "
KH-EZ $\frac{1}{4}$ "x2 $\frac{5}{8}$ "	$\frac{1}{4}$ "	$2\frac{5}{8}$ "	$1\frac{5}{8}$ "
KH-EZ $\frac{1}{4}$ "x3"	$\frac{1}{4}$ "	3"	$1\frac{5}{8}$ "
KH-EZ $\frac{1}{4}$ "x3 $\frac{1}{2}$ "	$\frac{1}{4}$ "	$3\frac{1}{2}$ "	$1\frac{5}{8}$ "
KH-EZ $\frac{1}{4}$ "x4"	$\frac{1}{4}$ "	4"	$1\frac{5}{8}$ "
KH-EZ $\frac{3}{8}$ "x1 $\frac{7}{8}$ "	$\frac{3}{8}$ "	$1\frac{7}{8}$ "	$1\frac{5}{8}$ "
KH-EZ $\frac{3}{8}$ "x2 $\frac{1}{8}$ "	$\frac{3}{8}$ "	$2\frac{1}{8}$ "	$1\frac{5}{8}$ "
KH-EZ $\frac{3}{8}$ "x3"	$\frac{3}{8}$ "	3"	$2\frac{1}{2}$ "
KH-EZ $\frac{3}{8}$ "x3 $\frac{1}{2}$ "	$\frac{3}{8}$ "	$3\frac{1}{2}$ "	$2\frac{1}{2}$ "
KH-EZ $\frac{3}{8}$ "x4"	$\frac{3}{8}$ "	4"	$3\frac{1}{4}$ "
KH-EZ $\frac{3}{8}$ "x5"	$\frac{3}{8}$ "	5"	$3\frac{1}{4}$ "
KH-EZ $\frac{1}{2}$ "x2 $\frac{1}{2}$ "	$\frac{1}{2}$ "	$2\frac{1}{2}$ "	$2\frac{1}{4}$ "
KH-EZ $\frac{1}{2}$ "x3"	$\frac{1}{2}$ "	3"	$2\frac{1}{4}$ "
KH-EZ $\frac{1}{2}$ "x3 $\frac{1}{2}$ "	$\frac{1}{2}$ "	$3\frac{1}{2}$ "	3"
KH-EZ $\frac{1}{2}$ "x4"	$\frac{1}{2}$ "	4"	3"
KH-EZ $\frac{1}{2}$ "x4 $\frac{1}{2}$ "	$\frac{1}{2}$ "	$4\frac{1}{2}$ "	3"
KH-EZ $\frac{1}{2}$ "x5"	$\frac{1}{2}$ "	5"	3"
KH-EZ $\frac{1}{2}$ "x6"	$\frac{1}{2}$ "	6"	3"
KH-EZ $\frac{5}{8}$ "x3 $\frac{1}{2}$ "	$\frac{5}{8}$ "	$3\frac{1}{2}$ "	$3\frac{1}{4}$ "
KH-EZ $\frac{5}{8}$ "x4"	$\frac{5}{8}$ "	4"	$3\frac{1}{4}$ "
KH-EZ $\frac{5}{8}$ "x5 $\frac{1}{2}$ "	$\frac{5}{8}$ "	$5\frac{1}{2}$ "	$3\frac{1}{4}$ "
KH-EZ $\frac{5}{8}$ "x6 $\frac{1}{2}$ "	$\frac{5}{8}$ "	$6\frac{1}{2}$ "	$3\frac{1}{4}$ "
KH-EZ $\frac{5}{8}$ "x8"	$\frac{5}{8}$ "	8"	$3\frac{1}{4}$ "
KH-EZ $\frac{3}{4}$ "x4 $\frac{1}{2}$ "	$\frac{3}{4}$ "	$4\frac{1}{2}$ "	4"
KH-EZ $\frac{3}{4}$ "x5 $\frac{1}{2}$ "	$\frac{3}{4}$ "	$5\frac{1}{2}$ "	4"
KH-EZ $\frac{3}{4}$ "x7"	$\frac{3}{4}$ "	7"	4"
KH-EZ $\frac{3}{4}$ "x8"	$\frac{3}{4}$ "	8"	4"
KH-EZ $\frac{3}{4}$ "x9"	$\frac{3}{4}$ "	9"	4"

For SI: 1 inch = 25.4 mm.

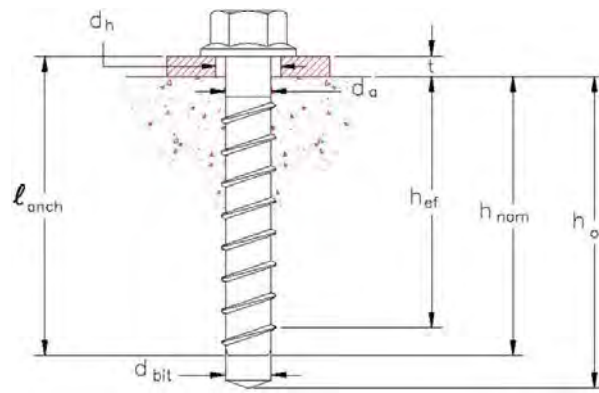


FIGURE 1—KWIK HUS EZ ANCHOR



FIGURE 2—HILTI KWIK HUS EZ CONCRETE SCREW ANCHOR



FIGURE 3—HILTI KWIK HUS-EZ I ANCHOR

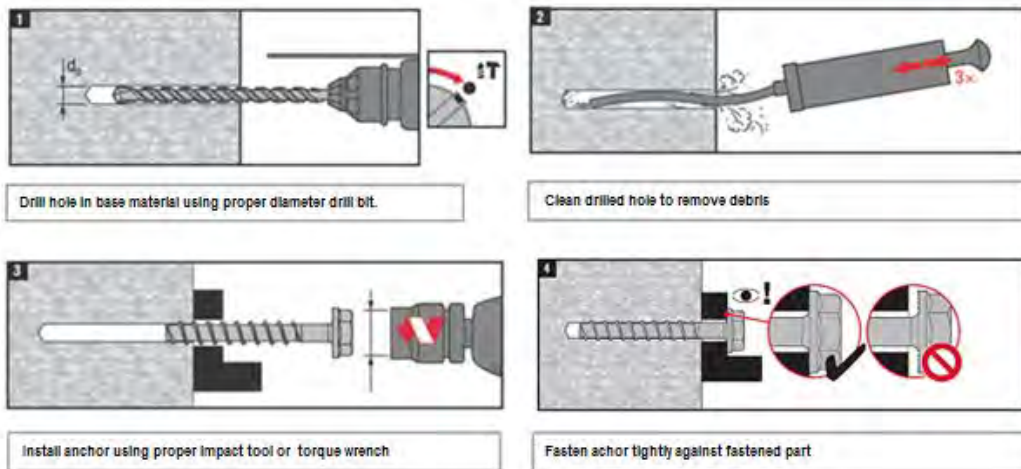


FIGURE 4A—INSTALLATION INSTRUCTIONS – HILTI KWIK HUS EZ (KH-EZ)

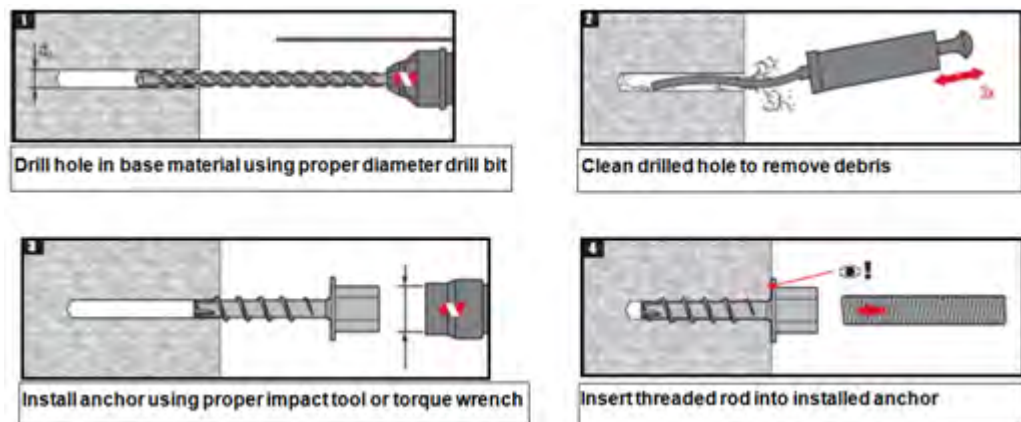


FIGURE 4B—INSTALLATION INSTRUCTIONS – HILTI KWIK HUS EZ I (KH-EZ I)



TABLE 2—KWIK HUS-EZ (KH-EZ) AND KWIK HUS-EZ I (KH-EZ I) INSTALLATION INFORMATION AND ANCHOR SPECIFICATION<sup>1</sup>

Characteristic	Symbol	Units	Nominal Anchor Diameter (inches)													
			<sup>1</sup> / <sub>4</sub> (KH-EZ I)		<sup>1</sup> / <sub>4</sub>		<sup>3</sup> / <sub>8</sub>		<sup>1</sup> / <sub>2</sub>		<sup>5</sup> / <sub>8</sub>		<sup>3</sup> / <sub>4</sub>			
Head Style	-	-	Internally Threaded		Standard Hex Head		Standard Hex Head		Standard Hex Head		Standard Hex Head		Standard Hex Head			
Nominal Diameter	$d_a$ ( $d_o$ ) <sup>5</sup>	in.	<sup>1</sup> / <sub>4</sub>		<sup>3</sup> / <sub>8</sub>		<sup>1</sup> / <sub>2</sub>		<sup>5</sup> / <sub>8</sub>		<sup>3</sup> / <sub>4</sub>					
Drill Bit Diameter	$d_{bit}$	in.	<sup>1</sup> / <sub>4</sub>		<sup>3</sup> / <sub>8</sub>		<sup>1</sup> / <sub>2</sub>		<sup>5</sup> / <sub>8</sub>		<sup>3</sup> / <sub>4</sub>					
Minimum Baseplate Clearance Hole Diameter	$d_h$	in.	N/A <sup>6</sup>		<sup>3</sup> / <sub>8</sub>		<sup>1</sup> / <sub>2</sub>		<sup>5</sup> / <sub>8</sub>		<sup>3</sup> / <sub>4</sub>		<sup>7</sup> / <sub>8</sub>			
Maximum Installation Torque	$T_{inst,max}$ <sup>4</sup>	ft-lbf	18				19	40	45				85	115		
Maximum Impact Wrench Torque Rating <sup>3</sup>	$T_{impact,max}$	ft-lbf	114	137	114	137	114	450	137	450	450		450			
Minimum Nominal Embedment depth	$h_{nom}$	in.	<sup>1</sup> / <sub>8</sub>	<sup>2</sup> / <sub>2</sub>	<sup>1</sup> / <sub>8</sub>	<sup>2</sup> / <sub>2</sub>	<sup>1</sup> / <sub>8</sub>	<sup>2</sup> / <sub>2</sub>	<sup>3</sup> / <sub>4</sub>	<sup>2</sup> / <sub>4</sub>	3	<sup>4</sup> / <sub>4</sub>	<sup>3</sup> / <sub>4</sub>	5	4	<sup>6</sup> / <sub>4</sub>
Effective Embedment Depth	$h_{ef}$	in.	1.18	1.92	1.18	1.92	1.11	1.86	2.50	1.52	2.16	3.22	2.39	3.88	2.92	4.84
Minimum Hole Depth	$h_{hole}$	in.	2	<sup>7</sup> / <sub>8</sub>	2	<sup>7</sup> / <sub>8</sub>	<sup>1</sup> / <sub>8</sub>	<sup>2</sup> / <sub>4</sub>	<sup>3</sup> / <sub>2</sub>	<sup>2</sup> / <sub>8</sub>	<sup>3</sup> / <sub>8</sub>	<sup>4</sup> / <sub>8</sub>	<sup>3</sup> / <sub>8</sub>	<sup>5</sup> / <sub>8</sub>	<sup>4</sup> / <sub>8</sub>	<sup>6</sup> / <sub>8</sub>
Critical Edge Distance <sup>2</sup>	$c_{ac}$	in.	2.00	2.78	2.00	2.78	2.63	2.92	3.75	2.75	3.75	5.25	3.63	5.82	4.41	7.28
Minimum Spacing at Critical Edge distance <sup>2</sup>	$s_{min,cac}$ <sup>7</sup>	in.	1.50				2.25				3.0					
Minimum Edge Distance <sup>2</sup>	$c_{min}$ <sup>7</sup>	in.	1.50						1.75							
Minimum Spacing Distance at Minimum Edge Distance <sup>2</sup>	$s_{min}$ <sup>7</sup>	in.	3.0									4.0				
Minimum Concrete Thickness	$h_{min}$	in.	3.25	4.125	3.25	4.125	3.25	4	4.75	4.5	4.75	6.75	5	7	6	8.125
Wrench socket size – KH-EZ I Model	<sup>1</sup> / <sub>4</sub> " Internal Thread	in.	<sup>3</sup> / <sub>8</sub>		Not Applicable											
	<sup>3</sup> / <sub>8</sub> " Internal Thread		<sup>1</sup> / <sub>2</sub>													
Wrench socket size – KH-EZ Model	-	in.	N/A		<sup>7</sup> / <sub>16</sub>		<sup>9</sup> / <sub>16</sub>		<sup>3</sup> / <sub>4</sub>		<sup>15</sup> / <sub>16</sub>		<sup>1</sup> / <sub>8</sub>			
Max. Head height – KH-EZ I Model	<sup>1</sup> / <sub>4</sub> " Internal Thread	in.	<sup>5</sup> / <sub>8</sub>		Not Applicable											
	<sup>3</sup> / <sub>8</sub> " Internal Thread		<sup>11</sup> / <sub>16</sub>													
Max. Head height	-	in.	N/A		0.24		0.35		0.49		0.57		0.70			
Effective tensile stress area	$A_{se}$ ( $A_{se,N}$ ) <sup>5</sup>	in. <sup>2</sup>	0.045				0.086				0.161		0.268		0.392	
Minimum specified ultimate strength	$f_{uta}$	psi	125,000				106,975	120,300	112,540				90,180		81,600	

For SI: 1 inch = 25.4 mm, 1 ft-lbf = 1.356 N-m, 1 psi = 6.89 kPa, 1 in<sup>2</sup> = 645 mm<sup>2</sup>, 1 lb/in = 0.175 N/mm.

<sup>1</sup>The data presented in this table is to be used in conjunction with the design criteria of ACI 318-14 Chapter 17 or ACI 318-11 Appendix D, as applicable.

<sup>2</sup>For installations through the soffit of steel deck into concrete (see Figure 5) anchors installed in the lower flute may be installed with a maximum 1 inch offset in either direction from the center of the flute.

<sup>3</sup>Because of variability in measurement procedures, the published torque of an impact tool may not correlate properly with the above setting torques. Over-torquing can damage the anchor and/or reduce its holding capacity.

<sup>4</sup> $T_{inst,max}$  applies to installations using a calibrated torque wrench.

<sup>5</sup>The notation in parenthesis is for the 2006 IBC.

<sup>6</sup>The KWIK HUS-EZ I (KH-EZ I) version is driven directly to the supporting member surface.

<sup>7</sup>Additional combinations for minimum edge distance,  $c_{min}$ , and minimum spacing distance,  $s_{min}$  or  $s_{min,cac}$ , may be derived by linear interpolation between the given boundary values.

TABLE 3—HILTI KWIK HUS-EZ (KH-EZ) and KWIK HUS-EZ I (KH-EZ I) TENSION STRENGTH DESIGN DATA<sup>1,2,4,7</sup>

Characteristic	Symbol	Units	Nominal Anchor Diameter(inches)													
			<sup>1</sup> / <sub>4</sub> (KH-EZ I)		<sup>1</sup> / <sub>4</sub>		<sup>3</sup> / <sub>8</sub>		<sup>1</sup> / <sub>2</sub>		<sup>5</sup> / <sub>8</sub>		<sup>3</sup> / <sub>4</sub>			
Anchor Category 1, 2 or 3			3	1	3	1	1									
Head Style	-	-	Internally Threaded		Standard Hex Head		Standard Hex Head		Standard Hex Head		Standard Hex Head		Standard Hex Head			
Nominal Embedment Depth	$h_{nom}$	in.	<sup>1</sup> / <sub>8</sub>	2 <sup>1</sup> / <sub>2</sub>	<sup>1</sup> / <sub>8</sub>	2 <sup>1</sup> / <sub>2</sub>	<sup>1</sup> / <sub>8</sub>	2 <sup>1</sup> / <sub>2</sub>	3 <sup>1</sup> / <sub>4</sub>	2 <sup>1</sup> / <sub>4</sub>	3	4 <sup>1</sup> / <sub>4</sub>	3 <sup>1</sup> / <sub>4</sub>	5	4	6 <sup>1</sup> / <sub>4</sub>
<b>Steel Strength in Tension (ACI 318-14 17.4.1 or ACI 318-11 D.5.1)</b>																
Tension Resistance of Steel	$N_{sa}$	lb.	5,660				9,200	10,335	18,120			24,210		32,015		
Reduction Factor for Steel Strength <sup>3,8</sup>	$\phi_{sa}$	-	0.65													
<b>Concrete Breakout Strength in Tension (ACI 318-14 17.4.2 or ACI 318-11 D.5.2)</b>																
Effective Embedment Depth	$h_{ef}$	in.	1.18	1.92	1.18	1.92	1.11	1.86	2.50	1.52	2.16	3.22	2.39	3.88	2.92	4.84
Critical Edge Distance	$c_{ac}$	in.	2.00	2.78	2.00	2.78	2.63	2.92	3.75	2.75	3.75	5.25	3.63	5.82	4.41	7.28
Effectiveness Factor – Uncracked Concrete	$k_{uncr}$	-	24							27						
Effectiveness Factor – Cracked Concrete	$k_{cr}$	-	17													
Modification factor for cracked and uncracked concrete <sup>6</sup>	$\psi_{c,N}$	-	1.0													
Reduction Factor for Concrete Breakout Strength <sup>2,3</sup>	$\phi_{cb}$	-	0.45	0.65	0.45	0.65										
<b>Pullout Strength in Tension (Non Seismic Applications) (ACI 318-14 17.4.3 or ACI 318-11 D.5.3)</b>																
Characteristic pullout strength, uncracked concrete (2,500psi)	$N_{p,uncr}$ <sup>7</sup>	lb.	1,305 <sup>6</sup>	2,350 <sup>5</sup>	1,305 <sup>6</sup>	2,350 <sup>5</sup>	N/A	N/A	N/A	N/A	N/A	N/A	N/A	N/A	N/A	N/A
Characteristic pullout strength, cracked concrete (2500 psi)	$N_{p,cr}$ <sup>7</sup>	lb.	665 <sup>6</sup>	1,165 <sup>5</sup>	665 <sup>6</sup>	1,165 <sup>5</sup>	725 <sup>5</sup>	N/A	N/A	N/A	N/A	N/A	N/A	N/A	N/A	N/A
Reduction factor for pullout strength <sup>2,3</sup>	$\phi_p$	-	0.45	0.65	0.45	0.65										
<b>Pullout Strength in Tension (Seismic Applications) (ACI 318-14 17.4.3 or ACI 318-11 D.5.3)</b>																
Characteristic Pullout Strength, Seismic (2,500 psi)	$N_{p,eq}$ <sup>7</sup>	lb.	535 <sup>6</sup>	1,165 <sup>5</sup>	535 <sup>6</sup>	1,165 <sup>5</sup>	725 <sup>5</sup>	N/A	N/A	N/A	N/A	N/A	N/A	N/A	N/A	N/A
Reduction Factor for Pullout Strength <sup>2,3</sup> (2,500 psi)	$\phi_{eq}$	-	0.45	0.65	0.45	0.65										
<b>Axial Stiffness in Service Load Range</b>																
Uncracked Concrete	$\beta_{uncr}$	lb/in.	760,000													
Cracked Concrete	$\beta_{cr}$		293,000													

For SI: 1 inch = 25.4 mm, 1 ft-lbf = 1.356 N-m, 1 psi = 6.89 kPa, 1 in<sup>2</sup> = 645 mm<sup>2</sup>, 1 lb/in = 0.175 N/mm.

<sup>1</sup>The data in this table is intended for use with the design provisions of ACI 318-14 Chapter 17 or ACI 318-11 Appendix D, as applicable; for anchors resisting seismic load combinations the additional requirements of ACI 318-14 17.2.3 or ACI 318-11 D.3.3, as applicable, shall apply.

<sup>2</sup>Values of  $\phi$  in this table apply when the load combinations for ACI 318-14 Section 5.3, ACI 318-11 Section 9.2 or IBC Section 1605.2 are used and the requirements of ACI 318-14 17.3.3 or ACI 318-11 D.4.3, as applicable, for Condition B are met. For situations where reinforcement meets the requirements of Condition A, ACI 318-14 17.3.3 or ACI 318-11 D.4.3, provides the appropriate  $\phi$  factor, as applicable.

<sup>3</sup>If the load combinations of ACI 318-11 Appendix C are used, the appropriate value of  $\phi$  must be determined in accordance with ACI 318-11 D.4.4.

<sup>4</sup>In this report, N/A denotes that pullout resistance does not govern and does not need to be considered.

<sup>5</sup>The characteristic pullout resistance for concrete compressive strengths greater than 2,500 psi may be increased by multiplying the value in the table by  $(f'_c/2,500)^{0.5}$  for psi or  $(f'_c/17.2)^{0.5}$  for MPa.

<sup>6</sup>The characteristic pullout resistance for concrete compressive strengths greater than 2,500 psi may be increased by multiplying the value in the table by  $(f'_c/2,500)^{0.3}$  for psi or  $(f'_c/17.2)^{0.3}$  for MPa.

<sup>7</sup>For lightweight concrete, calculate values according to Section 4.1.12 of this report.

<sup>8</sup>The KWIK HUS-EZ (KH-EZ) and KWIK HUS-EZ I (KH-EZ I) is considered a brittle steel element as defined by ACI 318-14 2.3 or ACI 318-11 D.1, as applicable.

TABLE 4—HILTI KWIK HUS-EZ (KH-EZ) and KWIK HUS-EZ I (KH-EZ I) SHEAR STRENGTH DESIGN DATA<sup>1,7</sup>

Characteristic	Symbol	Units	Nominal Anchor Diameter (inches)															
			<sup>1</sup> / <sub>4</sub> (KH-EZ I)				<sup>1</sup> / <sub>4</sub>		<sup>3</sup> / <sub>8</sub>		<sup>1</sup> / <sub>2</sub>		<sup>5</sup> / <sub>8</sub>		<sup>3</sup> / <sub>4</sub>			
Anchor Category	1,2 or 3		3	1	3	1	3	1	1									
Embedment Depth	$h_{nom}$	in.	<sup>1</sup> / <sub>8</sub>	<sup>1</sup> / <sub>2</sub>	<sup>5</sup> / <sub>8</sub>	<sup>1</sup> / <sub>2</sub>	<sup>5</sup> / <sub>8</sub>	<sup>1</sup> / <sub>2</sub>	<sup>5</sup> / <sub>8</sub>	<sup>1</sup> / <sub>2</sub>	<sup>3</sup> / <sub>4</sub>	<sup>1</sup> / <sub>2</sub>	3	<sup>1</sup> / <sub>4</sub>	<sup>3</sup> / <sub>4</sub>	5	4	<sup>1</sup> / <sub>4</sub>
Internal Thread Diameter	-	in.	<sup>1</sup> / <sub>4</sub>		<sup>3</sup> / <sub>8</sub>		N/A	N/A	N/A	N/A	N/A	N/A	N/A	N/A	N/A	N/A	N/A	N/A
<b>Steel Strength in Shear (ACI 318-14 17.5.1 or ACI 318-11 D.6.1)<sup>4,5</sup></b>																		
Shear Resistance of Steel - Static	$V_{sa}$	lb.	1,360 <sup>7</sup>		1,315 <sup>7</sup>		1,550	3,670	5,185	9,245		11,220		16,660				
Shear Resistance of Steel - Seismic	$V_{sa,eq}$	lb.	605 <sup>7</sup>		1,120 <sup>7</sup>		1,395	3,670	3,110	5,545		6,735		11,555				
Reduction Factor for Steel Strength <sup>3</sup>	$\phi_{sa}$	-	0.60															
<b>Concrete Breakout Strength in Shear (ACI 318-14 17.5.2 or ACI 318-11 D.6.2)</b>																		
Nominal Diameter	$d_a [d_o]$ <sup>6</sup>	in.	0.250				0.375		0.500		0.625		0.750					
Load Bearing Length of Anchor	$\ell_e$	in.	1.18	1.92	1.18	1.92	1.18	1.92	1.11	1.86	2.50	1.52	2.16	3.22	2.39	3.88	2.92	4.84
Reduction Factor for Concrete Breakout Strength <sup>2,3</sup>	$\phi_{cb}$	-	0.70															
<b>Concrete Pryout Strength in Shear (ACI 318-14 17.5.3 or ACI 318-11 D.6.3)</b>																		
Coefficient for Pryout Strength	$k_{cp}$	-	1.0	1.0	1.0	1.0	1.0	1.0	1.0	1.0	2.0	1.0	1.0	2.0	1.0	2.0	2.0	2.0
Reduction Factor for Pryout Strength <sup>2,3</sup>	$\phi_{cp}$	-	0.70															

For SI: 1 inch = 25.4 mm, 1 ft-lbf = 1.356 N-m, 1 psi = 6.89 kPa, 1 in<sup>2</sup> = 645 mm<sup>2</sup>, 1 lb/in = 0.175 N/mm.

<sup>1</sup>The data in this table is intended for use with the design provisions of ACI 318-14 Chapter 17 or ACI 318-11 Appendix D, as applicable.

<sup>2</sup>Values of  $\phi$  in this table apply when the load combinations for ACI 318-14 Section 5.3, ACI 318-11 Section 9.2 or IBC Section 1605.2, as applicable, are used and the requirements of ACI-14 17.3.3 or ACI 318-11 D.4.3, as applicable, for Condition B are met. For situations where reinforcement meets the requirements of Condition A, ACI 318-14 17.3.3 or ACI 318-11 D.4.3, provides the appropriate  $\phi$  factor, as applicable..

<sup>3</sup>If the load combinations of ACI 318-11 Appendix C are used, the appropriate value of  $\phi$  must be determined in accordance with ACI 318-11 D.4.4.

<sup>4</sup>Reported values for steel strength in shear are based on test results per ACI 355.2, Section 9.4 and must be used for design in lieu of calculated results using equation 17.5.1.2b of ACI 318-14 or equation D-29 of ACI 318-11, as applicable.

<sup>5</sup>The KWIK HUS-EZ (KH-EZ) is considered a brittle steel element as defined by ACI 318-14 2.3 or ACI 318-11 D.1, as applicable.

<sup>6</sup>The notation in brackets is for the 2006 IBC.

<sup>7</sup>Values are for threaded rod or insert with  $F_u \geq 125$  ksi. For use with inserts with  $F_u$  less than 125 ksi multiply the shear values by the ratio of  $F_u$  of insert and 125 ksi.

**TABLE 5—HILTI KWIK HUS-EZ (KH-EZ) TENSION AND SHEAR DESIGN DATA FOR INSTALLATION IN THE UNDERSIDE OF CONCRETE-FILLED PROFILE STEEL DECK ASSEMBLIES<sup>1,5,6,7</sup>**

Characteristic	Symbol	Units	Lower Flute										Upper Flute					
			Anchor Diameter															
			1/4	3/8	1/2	5/8	3/4	1/4	3/8	1/2								
Head Style	-	-	Standard Hex Head										Standard Hex Head					
Embedment	$h_{nom}$	in.	1 <sup>5/8</sup>	2 <sup>1/2</sup>	1 <sup>5/8</sup>	2 <sup>1/2</sup>	3 <sup>1/4</sup>	2 <sup>1/4</sup>	3	4 <sup>1/4</sup>	3 <sup>1/4</sup>	5	4	1 <sup>5/8</sup>	2 <sup>1/2</sup>	1 <sup>5/8</sup>	2 <sup>1/2</sup>	2 <sup>1/4</sup>
Minimum Hole Depth	$h_{hole}$	in.	2	2 <sup>7/8</sup>	1 <sup>7/8</sup>	2 <sup>3/4</sup>	3 <sup>1/2</sup>	2 <sup>5/8</sup>	3 <sup>3/8</sup>	4 <sup>5/8</sup>	3 <sup>5/8</sup>	5 <sup>3/8</sup>	4 <sup>3/8</sup>	2	2 <sup>7/8</sup>	1 <sup>7/8</sup>	2 <sup>7/8</sup>	2 <sup>5/8</sup>
Effective Embedment Depth	$h_{ef}$	in.	1.18	1.92	1.11	1.86	2.50	1.52	2.16	3.22	2.39	3.88	2.92	1.18	1.92	1.11	1.86	1.52
Pullout Resistance, (uncracked concrete) <sup>2</sup>	$N_{p,deck,un-cr}$	lb.	1,210	1,875	1,300	2,240	3,920	1,305	3,060	5,360	4,180	9,495	4,180	1,490	1,960	1,490	2,920	1,395
Pullout Resistance (cracked concrete and seismic loads) <sup>3</sup>	$N_{p,deck,cr}$	lb.	620	930	810	1,590	2,780	820	1,930	3,375	2,630	5,980	2,630	760	975	1,185	2,070	985
Steel Strength in Shear <sup>4</sup>	$V_{sa,deck}$	lb.	1,205	2,210	1,510	1,510	3,605	1,605	2,920	3,590	3,470	4,190	3,760	1,205	3,265	3,670	6,090	7,850
Steel Strength in Shear, Seismic	$V_{sa,deck,eq}$	lb.	905	1,990	905	905	2,165	965	1,750	2,155	2,080	2,515	2,610	1,080	2,940	3,670	3,650	4,710

For **SI**: 1 inch = 25.4 mm, 1 ft-lbf = 1.356 N-m, 1 psi = 6.89 kPa, 1 in<sup>2</sup> = 645 mm<sup>2</sup>, 1 lb/in = 0.175 N/mm.

<sup>1</sup>Installation must comply with Sections 4.1.10 and 4.3 and Figure 5 of this report.

<sup>2</sup>The values listed must be used in accordance with Section 4.1.4 of this report.

<sup>3</sup>The values listed must be used in accordance with Section 4.1.4 and 4.1.8.2 of this report.

<sup>4</sup>The values listed must be used in accordance with Section 4.1.5 and 4.1.8.3 of this report.

<sup>5</sup>The values for  $\phi_p$  in tension can be found in Table 3 of this report and the values for  $\phi_{sa}$  in shear can be found in Table 4 of this report.

<sup>6</sup>For the 1/4-inch-diameter (KH-EZ) at 2 1/2-inch nominal embedment and the 3/8-inch- through 3/4-inch-diameter anchors the characteristic pullout resistance for concrete compressive strengths greater than 3,000 psi may be increased by multiplying the value in the table by  $(f_c/3,000)^{1/2}$  for psi or  $(f_c/20.7)^{1/2}$  for MPa.

<sup>7</sup>For the 1/4-inch-diameter anchors (KH-EZ) at 1 5/8-inch nominal embedment characteristic pullout resistance for concrete compressive strengths greater than 3,000 psi may be increased by multiplying the value in the table by  $(f_c/3,000)^{0.3}$  for psi or  $(f_c/20.7)^{0.3}$  for MPa.

**TABLE 6—KWIK HUS-EZ I (KH-EZ I) TENSION AND SHEAR DESIGN DATA FOR INSTALLATION IN THE UNDERSIDE OF CONCRETE-FILLED PROFILE STEEL DECK ASSEMBLIES<sup>1,6,7</sup>**

Characteristic	Symbol	Units	Lower Flute				Upper Flute			
			Internally Threaded							
Head Style	-	-								
Embedment	$h_{nom}$	in.	1 <sup>5/8</sup>	2 <sup>1/2</sup>	1 <sup>5/8</sup>	2 <sup>1/2</sup>	1 <sup>5/8</sup>	2 <sup>1/2</sup>	1 <sup>5/8</sup>	2 <sup>1/2</sup>
Minimum Hole Depth	$h_{hole}$	in.	2	2 <sup>7/8</sup>	2	2 <sup>7/8</sup>	2	2 <sup>7/8</sup>	2	2 <sup>7/8</sup>
Internal Thread Diameter	-	in.	1/4		3/8		1/4		3/8	
Effective Embedment Depth	$h_{ef}$	in.	1.18	1.92	1.18	1.92	1.18	1.92	1.18	1.92
Pullout Resistance, (uncracked concrete) <sup>2</sup>	$N_{p,deck,un-cr}$	lb.	1,210	1,875	1,210	1,875	1,490	1,960	1,490	1,960
Pullout Resistance (cracked concrete and seismic loads) <sup>3</sup>	$N_{p,deck,cr}$	lb.	620	930	620	930	730	975	730	975
Steel Strength in Shear <sup>4</sup>	$V_{sa,deck}$ <sup>8</sup>	lb.	860		1,025		1,015		1,525	
Steel Strength in Shear, Seismic	$V_{sa,deck,eq}$ <sup>8</sup>	lb.	385		875		445		1,295	

For **SI**: 1 inch = 25.4 mm, 1 ft-lbf = 1.356 N-m, 1 psi = 6.89 kPa, 1 in<sup>2</sup> = 645 mm<sup>2</sup>, 1 lb/in = 0.175 N/mm.

<sup>1</sup>Installation must comply with Sections 4.1.10 and 4.3 and Figure 3 of this report.

<sup>2</sup>The values listed must be used in accordance with Section 4.1.4 of this report.

<sup>3</sup>The values listed must be used in accordance with Section 4.1.4 and 4.1.8.2 of this report.

<sup>4</sup>The values listed must be used in accordance with Section 4.1.5 and 4.1.8.3 of this report.

<sup>5</sup>The values for  $\phi_p$  in tension can be found in Table 3 of this report and the values for  $\phi_{sa}$  in shear can be found in Table 4 of this report.

<sup>6</sup>For the 1/4-inch-diameter (KH-EZ I) at 2 1/2-inch nominal embedment and the 3/8-inch- through 3/4-inch-diameter anchors the characteristic pullout resistance for concrete compressive strengths greater than 3,000 psi may be increased by multiplying the value in the table by  $(f_c/3,000)^{1/2}$  for psi or  $(f_c/20.7)^{1/2}$  for MPa.

<sup>7</sup>For the 1/4-inch-diameter anchors (KH-EZ I) at 1 5/8-inch nominal embedment characteristic pullout resistance for concrete compressive strengths greater than 3,000 psi may be increased by multiplying the value in the table by  $(f_c/3,000)^{0.3}$  for psi or  $(f_c/20.7)^{0.3}$  for MPa.

<sup>8</sup>Values for the KWIK HUS-EZ I (KH-EZ I) are for threaded rod or insert with  $F_u \geq 125$  ksi. For use with inserts with  $F_u$  less than 125 ksi multiply the shear values by the ratio of  $F_u$  of insert and 125 ksi.

**TABLE 7—HILTI KWIK HUS-EZ (KH-EZ) SETTING INFORMATION FOR INSTALLATION ON THE TOP OF CONCRETE-FILLED PROFILE STEEL DECK ASSEMBLIES.**<sup>1,2,3,4,5,6,7</sup>

DESIGN INFORMATION	Symbol	Units	Nominal Anchor Diameter	
			$1/4$	$3/8$
Effective Embedment Depth	$h_{ef}$	in.	1.18	1.11
Minimum concrete thickness	$h_{min,deck}$	in.	$2\frac{1}{2}$	$2\frac{1}{2}$
Critical edge distance	$C_{ac,deck,top}$	in.	4	3
Minimum edge distance	$C_{min,deck,top}$	in.	$1\frac{3}{4}$	$1\frac{3}{4}$
Minimum spacing	$S_{min,deck,top}$	in.	3	3

For SI: 1 inch = 25.4 mm.

<sup>1</sup>Installation must comply with Sections 4.1.10 and 4.3 of this report.

<sup>2</sup>For all other anchor diameters and embedment depths refer to Table 2 for values of  $h_{min}$ ,  $C_{min}$  and  $S_{min}$ .

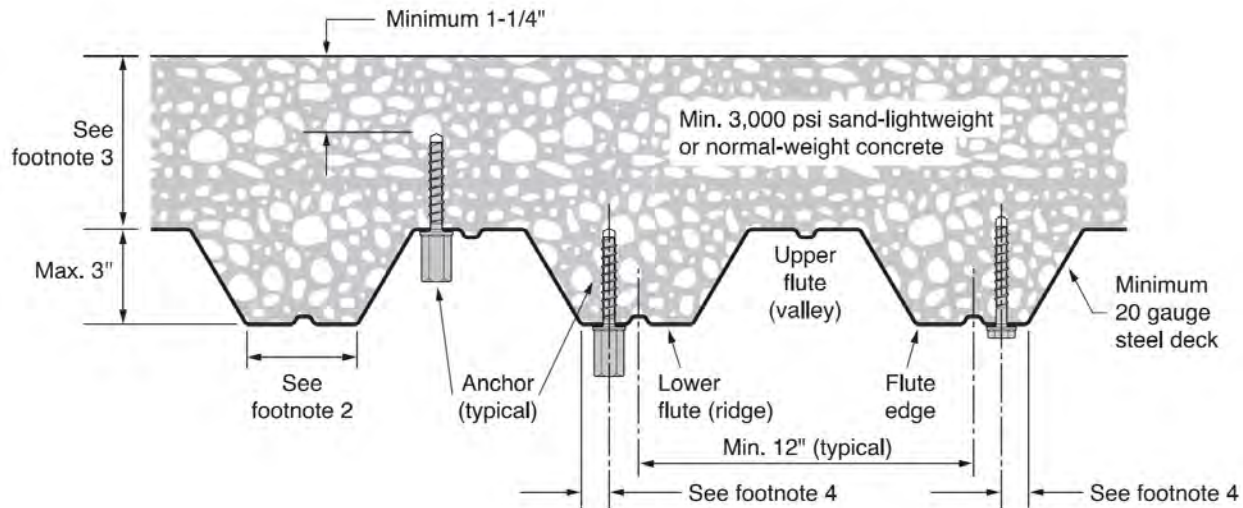
<sup>3</sup>Design capacity must be based on calculations according to values in Tables 3 and 4 of this report.

<sup>4</sup>Applicable for  $2\frac{1}{2}$ -inch  $\leq h_{min,deck} < 3\frac{1}{4}$ -inch. For  $h_{min,deck} \geq 3\frac{1}{4}$ -inch, use setting information in Tables 3 and 4 of this report.

<sup>5</sup>Minimum concrete thickness ( $h_{min,deck}$ ) refers to concrete thickness above upper flute.

<sup>6</sup>Minimum flute depth (distance from top of flute to bottom of flute) is 3 inches.

<sup>7</sup>Steel deck thickness must be minimum 20 gauge.



**FIGURE 5—INSTALLATION OF KWIK HUS-EZ (KH-EZ) AND KWIK HUS-EZ I (KH-EZ I) IN SOFFIT OF CONCRETE OVER STEEL DECK FLOOR AND ROOF ASSEMBLIES<sup>1</sup>**

<sup>1</sup>Anchors may be placed in the upper or lower flute of the steel deck profile provided the minimum hole clearance is satisfied. Anchors in the lower flute may be installed with a maximum 1-inch offset in either direction from the center of the flute. The offset distance may be increased proportionally for profiles with lower flute widths greater than those shown provided the minimum lower flute edge distance is also satisfied.

<sup>2</sup>Minimum flute width for KH-EZ and KH-EZ I  $1/4$ -inch diameter is  $3\frac{7}{8}$  inches. Minimum flute width for KH-EZ  $3/8$ -,  $1/2$ -,  $5/8$ - and  $3/4$ -inch diameter is  $4\frac{1}{2}$  inches.

<sup>3</sup>Minimum concrete thickness above upper flute for KH-EZ and KH-EZ I  $1/4$ -inch diameter is  $2\frac{1}{2}$  inches. Minimum concrete thickness above upper flute for KH-EZ  $3/8$ -,  $1/2$ -,  $5/8$ - and  $3/4$ -inch diameter is  $3\frac{1}{4}$  inches.

<sup>4</sup>Minimum distance from edge of flute to centerline of anchor for KH-EZ and KH-EZ I  $1/4$ -inch diameter is 1-inch. Minimum distance from edge of flute to centerline of anchor for KH-EZ  $3/8$ -,  $1/2$ -,  $5/8$ - and  $3/4$ -inch diameter is  $1\frac{1}{4}$  inches.

**TABLE 8—HILTI KWIK HUS-EZ (KH-EZ) AND KWIK HUS-EZ I (KH-EZ I) ALLOWABLE STRESS DESIGN VALUES FOR ILLUSTRATIVE PURPOSES<sup>1, 2, 3, 4, 5, 6, 7, 8, 9</sup>**

Nominal Anchor Diameter	Nominal Embedment Depth, $h_{nom}$	Effective Embedment Depth, $h_{ef}$	Allowable Tension Load
[in.]	[in.]	[in.]	[lbs]
1/4	1 <sup>5</sup> / <sub>8</sub>	1.18	407
	2 <sup>1</sup> / <sub>2</sub>	1.92	1,031
3/8	1 <sup>5</sup> / <sub>8</sub>	1.11	620
	2 <sup>1</sup> / <sub>2</sub>	1.86	1,334
	3 <sup>1</sup> / <sub>4</sub>	2.5	2,077
1/2	2 <sup>1</sup> / <sub>4</sub>	1.52	1,111
	3	2.16	1,882
	4 <sup>1</sup> / <sub>4</sub>	3.22	3,426
5/8	3 <sup>1</sup> / <sub>4</sub>	2.39	2,192
	5	3.88	4,530
3/4	4	2.92	2,963
	6 <sup>1</sup> / <sub>4</sub>	4.84	6,305

For **SI**: 1 inch = 25.4 mm, 1 lbf = 4.45 N.

<sup>1</sup>Single anchor with static tension load only.

<sup>2</sup>Concrete determined to remain uncracked for the life of the anchorage.

<sup>3</sup>Load combinations are taken from ACI 318-14 Section 5.3 or ACI 318-11 Section 9.2, as applicable, (no seismic loading).

<sup>4</sup>40% dead load and 60% live load, controlling load combination 1.2D + 1.6L.

<sup>5</sup>Calculation of weighted average for conversion factor  $\alpha = 1.2(0.4) + 1.6(0.6) = 1.44$ .

<sup>6</sup> $f_c = 2,500$  psi (normal weight concrete).

<sup>7</sup> $c_{a1} = c_{a2} \geq c_{ac}$ .

<sup>8</sup> $h \geq h_{min}$ .

<sup>9</sup>Values are for Condition B where supplementary reinforcement in accordance with ACI 318-14 17.3.3 or ACI 318-11 D.4.3, as applicable, is not provided.

Given: Two 1/2" diameter KH-EZ with static tension load  
 $h_{nom} = 4.25$  inches  
 $h_{ef} = 3.22$  inches  
 Normal Weight Concrete:  $f'_c = 3,000$  psi  
 No supplementary reinforcement (Cond. B)  
 No eccentricity, 60% live load, 40% dead load.  
 Assume cracked concrete since no other information is available.  
 $h_{min} = 6.375$  in.  
 $c_{min} = 1.75$  in.  
 $s_{min} = 3$  in.  
 Needed: Allowable stress design (ASD) tension capacity

Calculation per ACI 318-14 Chapter 17, ACI 318-11 Appendix D and this report	ACI 318-14 Ref.	ACI 318-11 Ref.	ESR Reference
Step 1: Calculate steel capacity: $\phi N_s = n\phi N_{sa} = 2(0.65)(18,120) = 23,556$ lbs.	17.4.1.2	D.5.1.2	Table 3
Step 2: Verify minimum member thickness, spacing and edge distance: $h_{min} = 6.375$ in. $\leq 12$ in. → ok $c_{min} = 1.75$ in. $\leq 4$ in. → ok $s_{min} = 3$ in. $\leq 6$ in. → ok	17.7	D.8	Table 2
Step 3: Calculate concrete breakout strength of anchor group in tension: $N_{cbg} = \frac{A_{Nc}}{A_{Nco}} \Psi_{ec,N} \Psi_{ed,N} \Psi_{c,N} \Psi_{cp,N} N_b$	17.4.2.1	D.5.2.1	4.1.3
Step 3a: Calculate $A_{Nc}$ and $A_{Nco}$ : $A_{Nc} = (1.5h_{ef} + 4)(3h_{ef} + 6) = (8.83)(15.66) = 138.3$ in. <sup>2</sup> $A_{Nco} = 9(h_{ef})^2 = 9(3.22)^2 = 93.32$ in. <sup>2</sup>	17.4.2.1	D.5.2.1	Table 3
Step 3b: Determine $\Psi_{ec,N} \rightarrow e'_n = 0 \rightarrow \Psi_{ec,N} = 1.0$	17.4.2.4	D.5.2.4	----
Step 3c: Calculate $\Psi_{ed,N} \rightarrow \Psi_{ed,N} = 0.7 + 0.3 \left( \frac{4}{4.83} \right) = 0.948$	17.4.2.5	D.5.2.5	Table 3
Step 3d: Determine $\Psi_{cp,N} \rightarrow \Psi_{cp,N} = 1.0$ because concrete is cracked.	17.4.3.6	D.5.3.6	----
Step 3e: Calculate $N_b$ : $N_b = k_{cr} \lambda_a \sqrt{f'_c} (h_{ef})^{1.5} = 17(1.0) \sqrt{3,000} (3.22)^{1.5} = 5,380$ lbs ( $\lambda_a = 1.0$ for normal weight concrete)	17.4.2.2	D.5.2.2	Table 3
Step 3f: Calculate $\phi N_{cbg}$ : $\phi N_{cbg} = (0.65) \left( \frac{138.3}{93.32} \right) (1.0)(0.948)(1.0)(1.0)(5,380) = 4,914$ lbs	17.4.2.1 17.3.3 (c)	D.5.2.1 D.4.3 (c)	4.1.3 Table 3
Step 4: Check Pullout Strength → per Table 3 does not control	----	----	Table 3
Step 5: Controlling Strength: Lesser of $n\phi N_{sa}$ and $\phi N_{cbg} \rightarrow 4,914$ lbs	17.3.1.2	D.4.1.2	Table 3
Step 6: Convert to ASD based on $1.6(0.60) + 1.2(0.40) = 1.44$ 60% Live Load and 40% Dead Load: $T_{allowable, ASD} = \frac{4,914}{1.44} = 3,412$ lbs	---	---	4.2.1

FIGURE 6—EXAMPLE CALCULATION

**ICC-ES Evaluation Report****ESR-3027 FBC Supplement**

Reissued December 2015

*This report is subject to renewal December 2017.*[www.icc-es.org](http://www.icc-es.org) | (800) 423-6587 | (562) 699-0543

A Subsidiary of the International Code Council®

**DIVISION: 03 00 00—CONCRETE****Section: 03 16 00—Concrete Anchors****DIVISION: 05 00 00—METALS****Section: 05 05 19—Post-Installed Concrete Anchors****REPORT HOLDER:****HILTI, INC.**

7250 DALLAS PARKWAY, SUITE 1000

PLANO, TEXAS 75024

(800) 879-8000

[www.us.hilti.com](http://www.us.hilti.com)[HiltiTechEng@us.hilti.com](mailto:HiltiTechEng@us.hilti.com)**EVALUATION SUBJECT:****HILTI KWIK HUS-EZ (KH-EZ) AND KWIK HUS-EZ I (KH-EZ I) CARBON STEEL SCREW ANCHORS FOR USE IN CRACKED AND UNCRACKED CONCRETE****1.0 REPORT PURPOSE AND SCOPE****Purpose:**

The purpose of this evaluation report supplement is to indicate that Hilti KWIK HUS-EZ (KH-EZ) and KWIK HUS-EZ I (KH-EZ I) screw anchors, recognized in ICC-ES master evaluation report ESR-3027, have also been evaluated for compliance with the codes noted below:

**Compliance with the following codes:**

- 2010 *Florida Building Code—Building*
- 2010 *Florida Building Code—Residential*

**2.0 CONCLUSIONS**

The Hilti KWIK HUS-EZ (KH-EZ) and KWIK HUS-EZ I (KH-EZ I) screw anchors in cracked and uncracked concrete, described in Sections 2.0 through 7.0 of the master evaluation report ESR-3027, comply with the 2010 *Florida Building Code—Building* and the 2010 *Florida Building Code—Residential*, provided the design and installation are in accordance with the 2009 *International Building Code*® (IBC) provisions noted in the master evaluation report and the following conditions are met:

- Design wind loads must be based on Section 1609 of the 2010 *Florida Building Code—Building* or Section R301.2.1.1 of the 2010 *Florida Building Code—Residential*, as applicable.
- Load combinations must be in accordance with Section 1605.2 or Section 1605.3 of the 2010 *Florida Building Code—Building*, as applicable.
- The modifications to ACI 318 as shown in the 2009 IBC Sections 1908.1.9 and 1908.1.10, as noted in 2009 IBC Section 1912.1, do not apply to the 2010 *Florida Building Code—Building*.

Use of the Hilti KWIK HUS-EZ (KH-EZ) and KWIK HUS-EZ I (KH-EZ I) screw anchors in cracked and uncracked concrete as described in the master evaluation report for compliance with the High-Velocity Hurricane Zone provisions of the 2010 *Florida Building Code—Building* has not been evaluated, and is outside the scope of this supplement.

For products falling under Florida Rule 9N-3, verification that the report holder's quality assurance program is audited by a quality assurance entity approved by the Florida Building Commission for the type of inspections being conducted is the responsibility of an approved validation entity (or the code official when the report holder does not possess an approval by the Commission).

This supplement expires concurrently with the master report, reissued December 2015, revised February 2016.