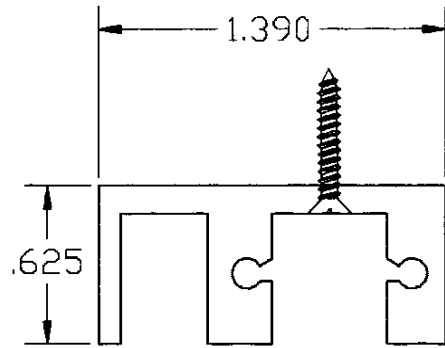
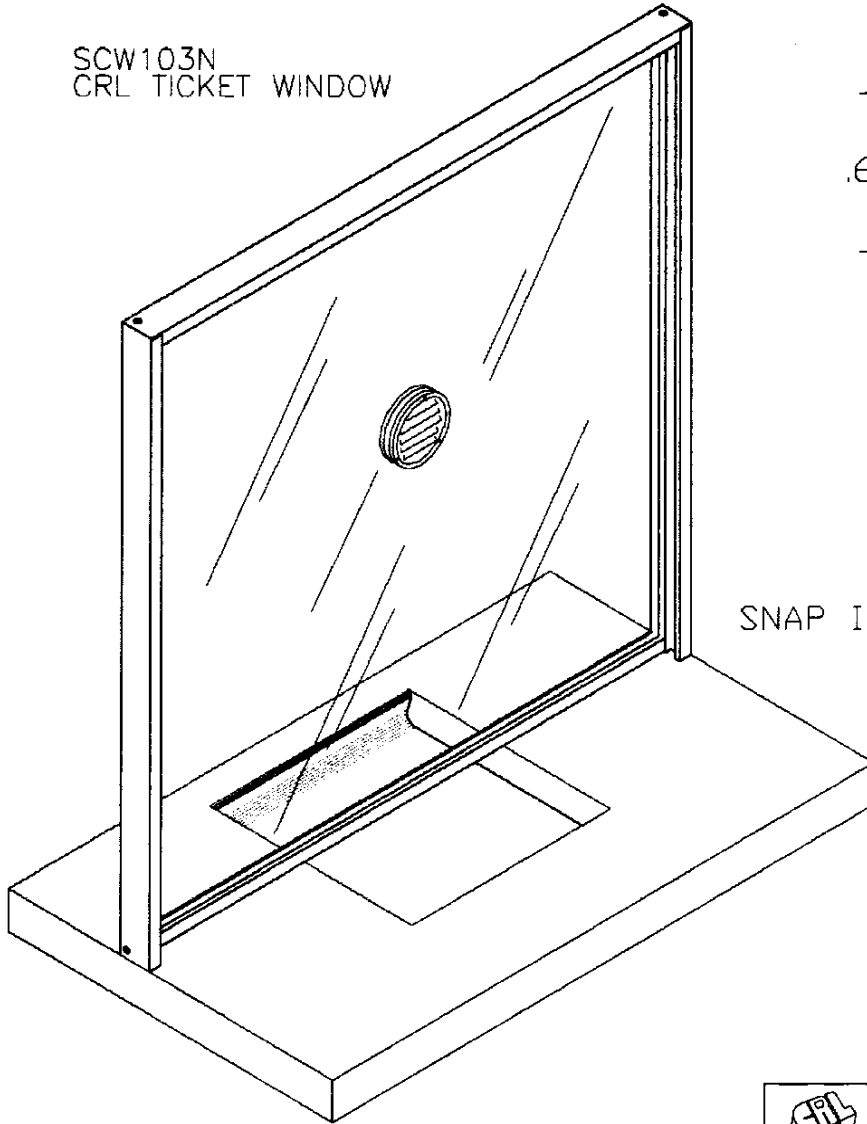


SCW103N INSTRUCTION SHEET

1. Attach tray in opening by securing tray directly to frame with screws
2. The frame is screwed directly into opening through channel in jambs and head. Holes are not provided.
3. After screws have been installed, snap in screw cover to complete the installation.

SCW103N
CRL TICKET WINDOW



FRAME

SNAP IN COVER



C.R. Laurence Co., Inc

15000 S. FIGUERDA ST. GARDENA, CALIFORNIA 90247-7039
PHONE: (213)719-9770 FAX: (213)329-1521

REV.	DESCRIPTION	DATE	BY	PART:	INSTALLATION INSTRUCTIONS	NOTES:
				DRAWN BY:	L. B. S.	SCALE: N/A
				DATE:	9/29/97	
<p>C.R. Laurence Co., Inc THIS DRAWING AND THE DESIGN SHOWN THEREIN IS THE PROPERTY OF C.R. LAURENCE CO., INC. AND USE OR COPIES THEREOF CANNOT BE MADE WITHOUT WRITTEN CONSENT.</p>				PRODUCT:	SCW103N	DRAWING NUMBER:
				MAT'L:		SCW103I