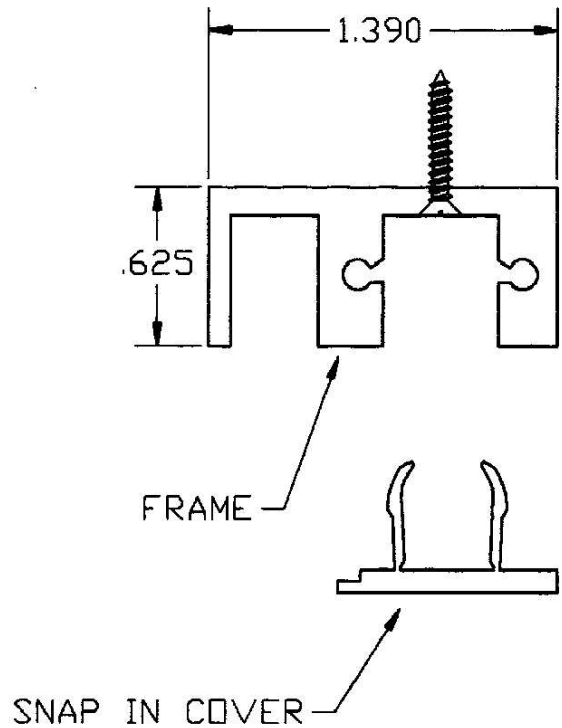
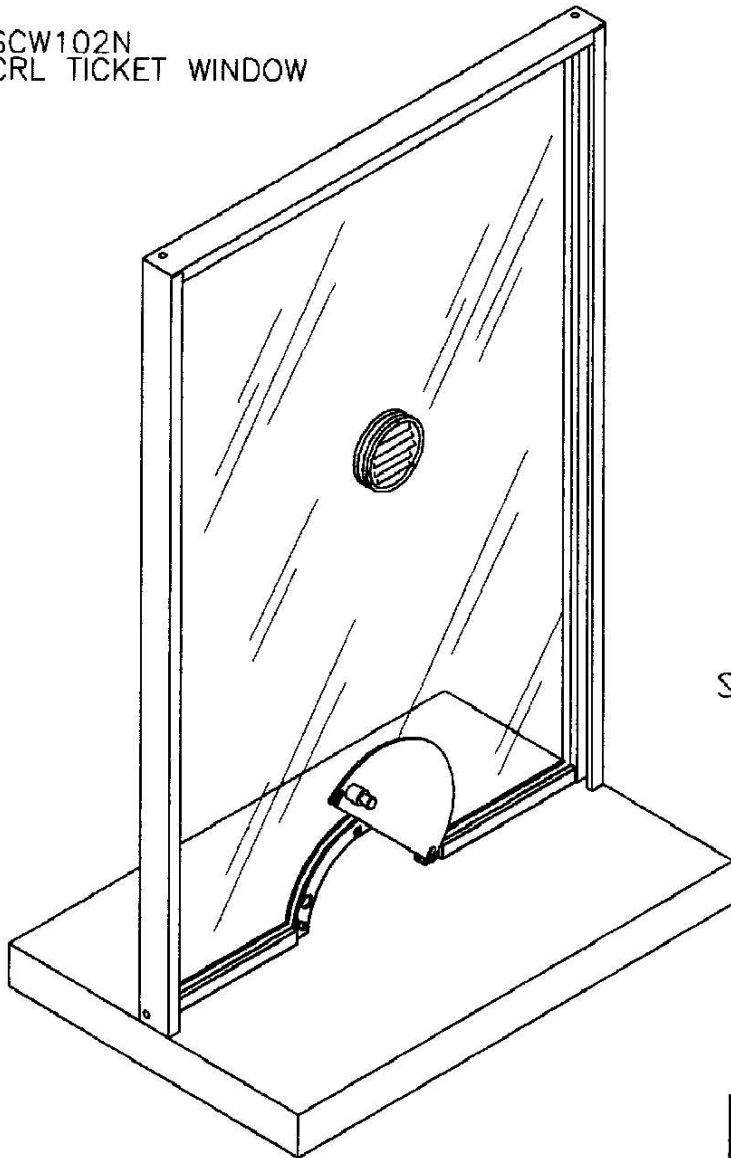



# SCW102N INSTRUCTION SHEET

1. Attach tray in opening by securing tray directly to frame with screws
2. The frame is screwed directly into opening through channel in jambs and head. Holes are not provided.
3. After screws have been installed, snap in screw cover to complete the installation.

SCW102N  
CRL TICKET WINDOW



 <b>C.R. Laurence Co., Inc</b> 15000 S. FIGUERDA ST. GARDENA, CALIFORNIA 90247-7039 PHONE: (213)719-9770 FAX: (213)329-1521			
REV.	DESCRIPTION	DATE	BY
DRAWN BY: <b>L.B.S.</b> SCALE: <b>N/A</b> DATE: <b>9/29/97</b> NOTES:		PART: <b>INSTALLATION INSTRUCTIONS</b>	
PRODUCT: <b>SCW102N</b>		DRAWING NUMBER: <b>SCW102I</b>	
MAT'L:			

**C.R. Laurence Co., Inc**  
 THIS DRAWING AND THE DESIGN SHOWN THEREIN IS THE PROPERTY OF  
 CALLAURENCE CO., INC. AND USE OR COPIES THEREOF CANNOT BE MADE  
 WITHOUT WRITTEN CONSENT.