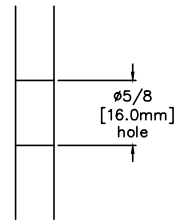
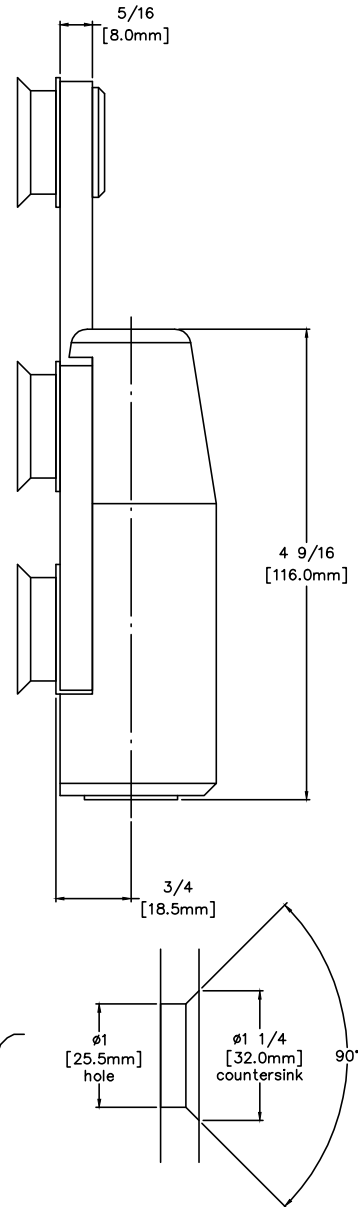


LS3BS



Surface Mount fastener fabrication

or



Flush Mount fastener fabrication