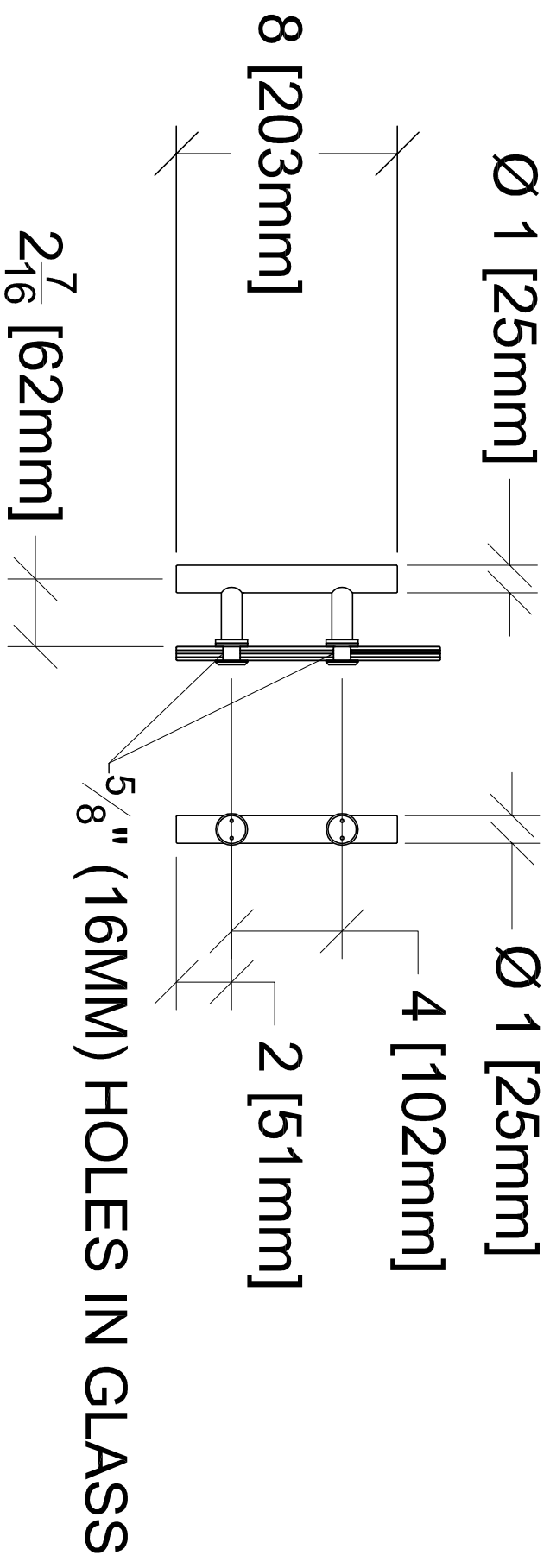


REV	DESCRIPTION	DATE	BY



DESCRIPTION: **LPK4BS**  
 Materi: - **316 BRUSHED S.S.**

CAT. NO.: -  
 FILE NAME: -  
 DRAWN BY: J.V.  
 DATE: 09/22/08  
 SCALE: AS SHOWN  
 CHECKED BY: -  
 SHT 1 OF 1