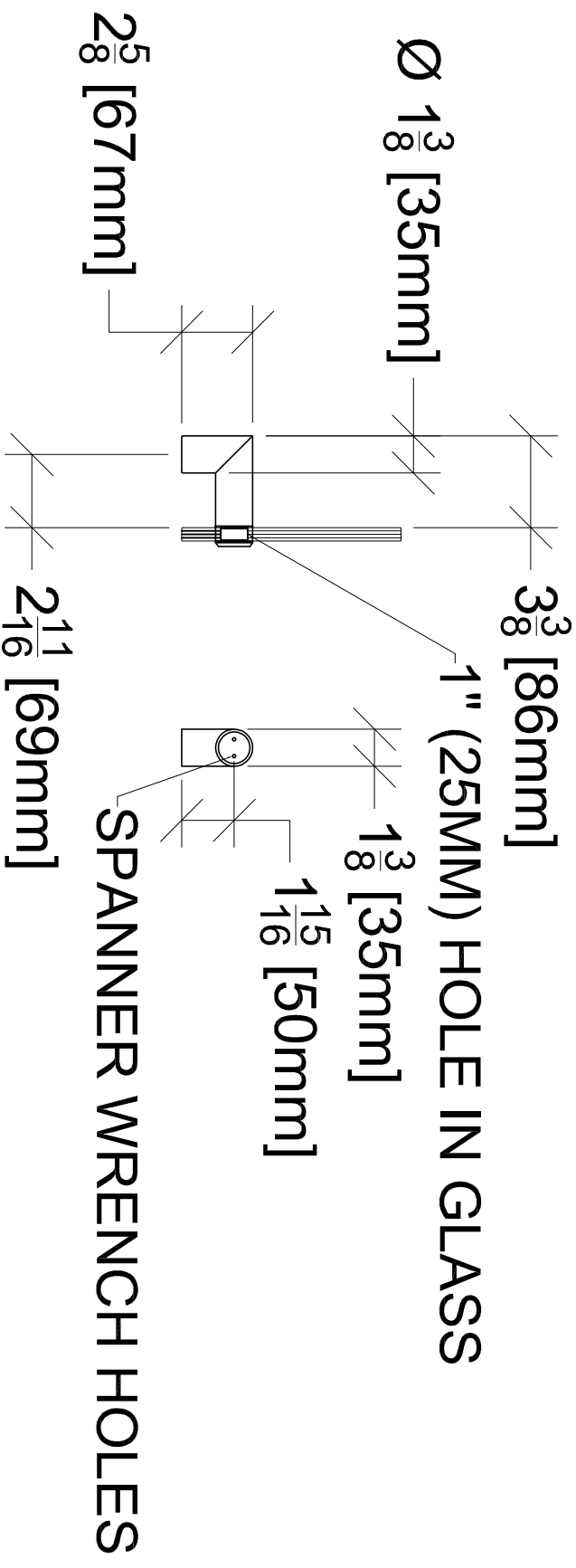


| REV | DESCRIPTION | DATE | BY |
|-----|-------------|------|----|
|     |             |      |    |
|     |             |      |    |
|     |             |      |    |
|     |             |      |    |



DESCRIPTION: **LPK2BS**  
 Materi: **316 BRUSHED S.S.**

|                |               |
|----------------|---------------|
| CAT. NO.:      | DATE:         |
| FILE NAME:     | SCALE:        |
| DRAWN BY: J.V. | CHECKED BY: - |
|                | SHT 1 OF 1    |