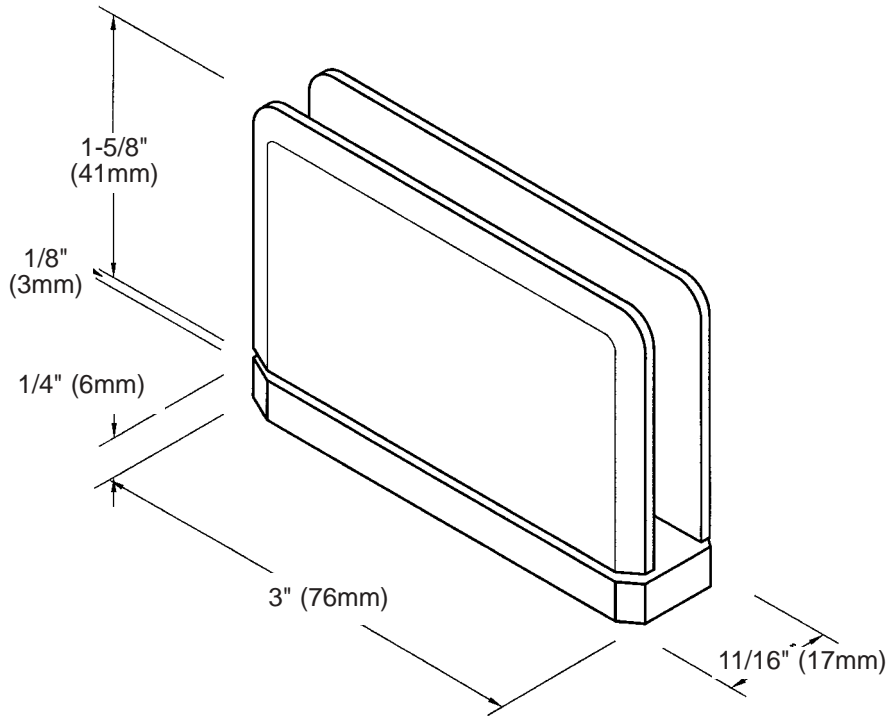




C.R. LAURENCE CO., INC.
PROFESSIONAL QUALITY



JUNIOR PRIMA

Top or Bottom Mount Hinge

CAT No. JRPPH01

Edge Mount Option (full leg) 3/8" (10mm) Clearance
 Edge Mount Option (short leg) 3/8" (10mm) Clearance
 Inset Mount Option 3/8" (10mm) Clearance

*Maximum Door Capacities	1/4" (6mm) Glass Weight	Width
Using 2 Hinges	62 lbs.(28 kg)	28"(711mm)

*NOTE: Do not exceed either maximum weight or width when choosing proper quantity of hinges.

Important Information:

Template Options: The Top or Bottom Mount JRPPH01 Hinge offers numerous choices of templates. If using an Edge Mount Template, the capabilities of your temperer may determine your choice of Full Leg or Short Leg Methods. The Full Leg Method has a full leg cutout that allows a full length vertical seal on the hinge side. The Short Leg Method has a short leg cutout, resulting in an interrupted seal.

The Inset Mount Template is beneficial for two reasons. It allows a full length vertical seal. Also, by inseting the hinge a certain distance towards the center of the door, it enables the door to avoid hitting a towel bar, or some other protrusion from the wall.

Vertical Clearances: If using the Top or Bottom Mount JRPPH01 Hinges with the Junior Header Kit, disregard the suggested top clearance instructions shown on these templates. For vertical deductions using the Junior Header Kits. See page 2-22A

Optional Pivot Pins: Optional 5° Pivot Pins (Cat. No. JRP1VP1N) are sold as a set, one pin for the top hinge and one pin for the bottom hinge. These 5° offset Pivot Pins allow the installer to adjust the closing position of the door 5° inwards or outwards.

Specifications:

Glass Sizes: 1/4" (6mm) thick tempered safety glass
Construction: Solid brass
Closing Type: Self-centering when within 15° of closed position
Cutout Required
Includes: Gaskets, screws and template

Use of Gaskets:

For 1/4 (6mm) Glass: Use one thick gasket on both sides

Recommendations:

For public safety, we recommend the use of only tempered safety glass.
 Do not use power tools when installing these hinges.

Maintenance Guidelines:

- Never use an abrasive cleaner on the hardware. Many of the components are coated with a clear lacquer that will be irreparably damaged if subjected to harsh, abrasive chemicals. Advise your customer that drying the hardware with a clean, soft towel on a daily basis is the best way to maintain the hardware. If mineral deposits build-up, mix a couple of drops of a mild liquid soap (such as Ivory or a similar product) into a cup of warm water. Using a soft, non-abrasive cloth, clean the hardware. Rinse thoroughly with clean, warm water and dry.