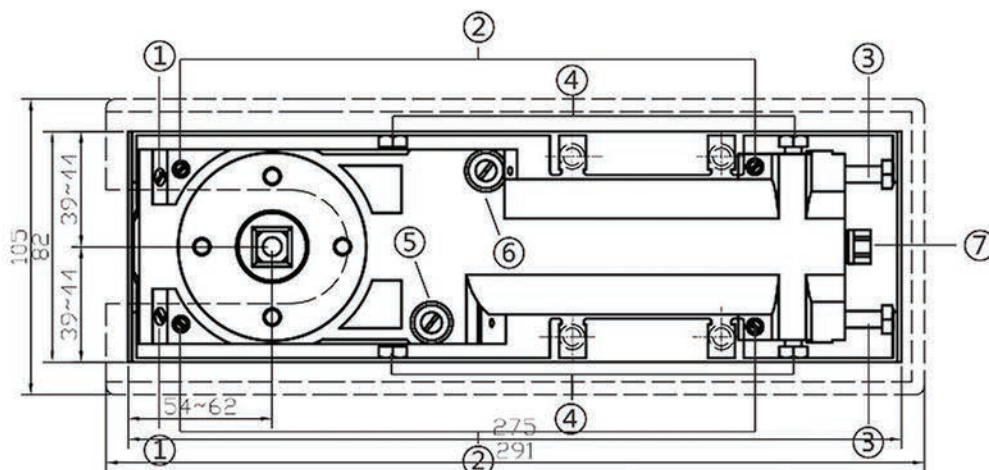


ITEMS	HOLD OPEN	INSTALLATION MANUAL
EUCRL8460V	90HO	
EUCRL8466V EUCRL8462V	105HO NO HO	



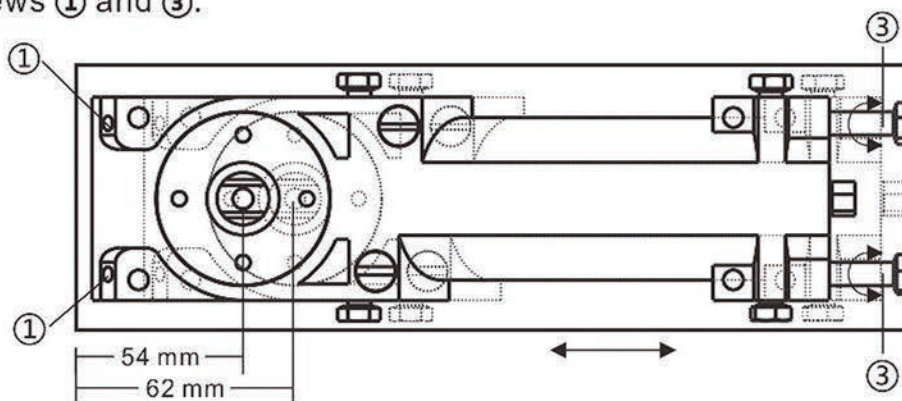
POWER	INT MAX DOOR WIDTH	INT MAX DOOR HEIGHT	EXT MAX DOOR WIDTH	EXT MAX DOOR HEIGHT	EXT MAX DOOR WEIGHT	MAX OPENING ANGLE
Adjustable EN1 to EN4	1150MM	2450MM	1070MM	2350MM	150KG	180 DEGREES
Adjustable Light to Heavy Duty	45"	96.5"	42"	92.5"	300Lbs	

The floor closer series EUCRL8460V offers the following adjustment possibilities:

- Horizontal adjustments:

Adjust the position of the closer inside the case in order to align the clearance between the jamb of the door and the frame (front - back):

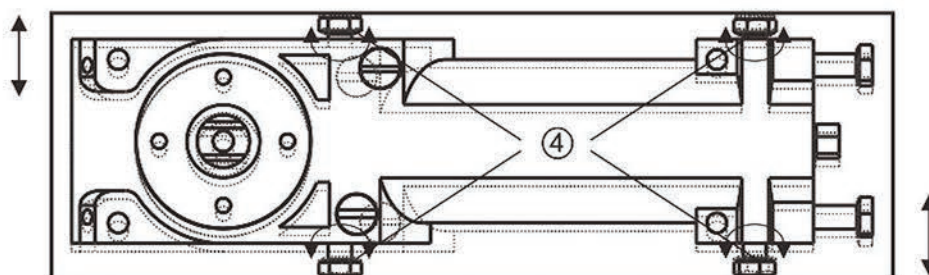
- Use the screws ① and ③.



- Vertical adjustments:

Adjust the position of the closer inside the case in order to align the vertical level of the door (right - left):

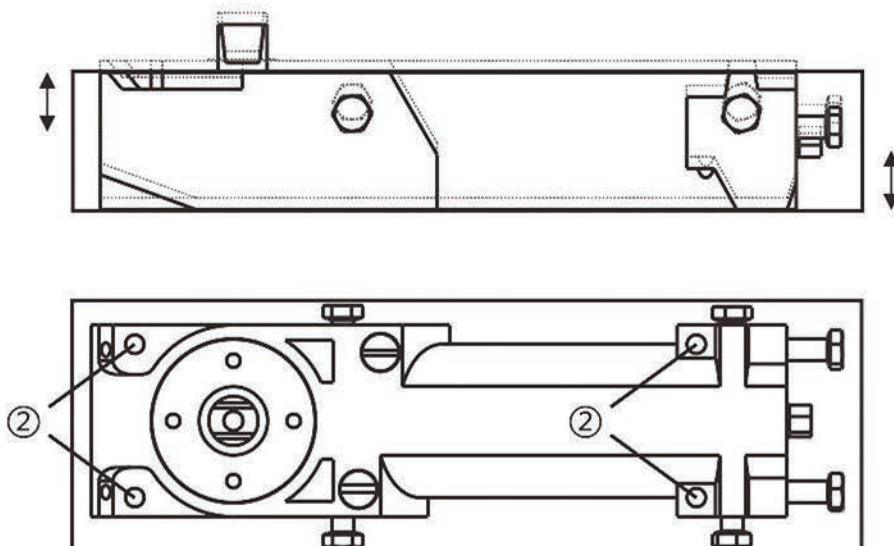
- Use the screws ④.



ITEMS	HOLD OPEN	INSTALLATION MANUAL
EUCRL8460V	90HO	
EUCRL8466V EUCRL8462V	105HO NO HO	

- Vertical adjustments:

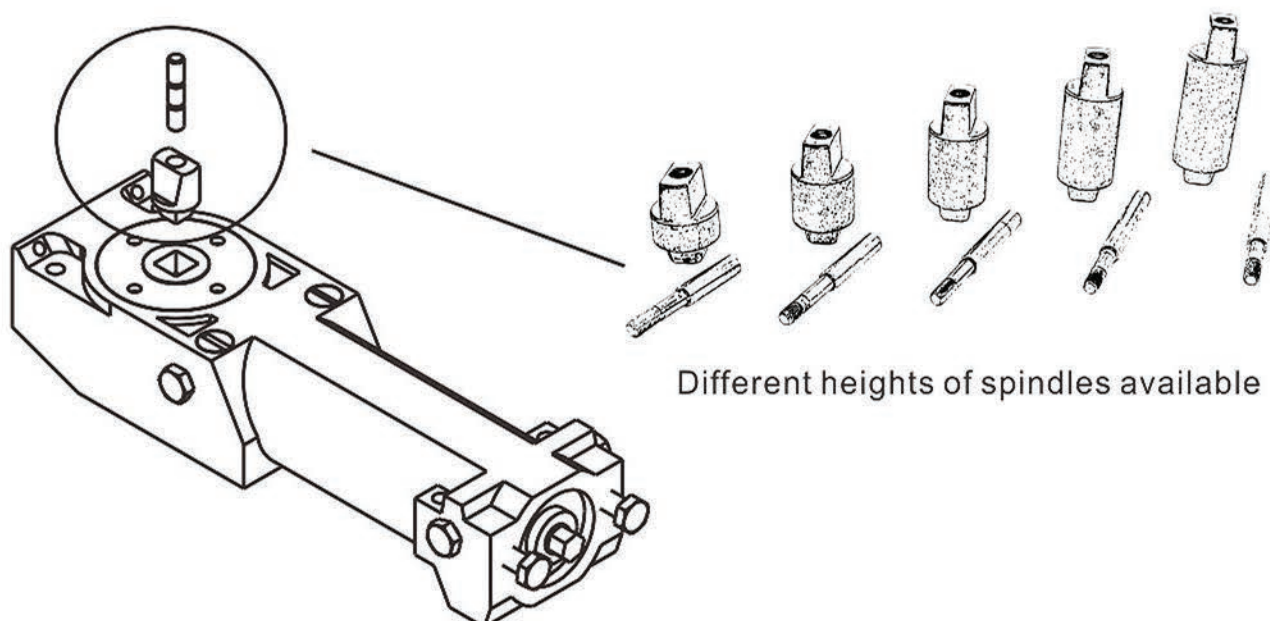
Adjust the gap between the door header and the top of the door (Upper - Down):
Use the screws ②.



- Height of the door:

The spindles of the EUCRL8460V series floor closer are removable. Please contact CRL's team to supply you the right spindle that fits the closer. Please note that only CRL's spindles are usable with EUCRL8660V closers.

According to the level of the finished floor, select the proper spindle and install it on the closer body. You must make sure the spindle match the closer and the screw used is properly tight. **Any use of non appropriated spindle and / or screw might create noise and / or breakage while the closer is operating.** Durability and function will also be affected.



ITEMS	HOLD OPEN	INSTALLATION MANUAL
EUCRL8460V	90HO	
EUCRL8466V EUCRL8462V	105HO NO HO	

- Closing speed adjustments:

You can adjust the closing speed from 90 deg to 0 deg (closed position).

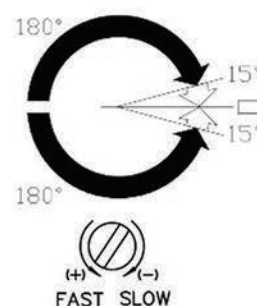
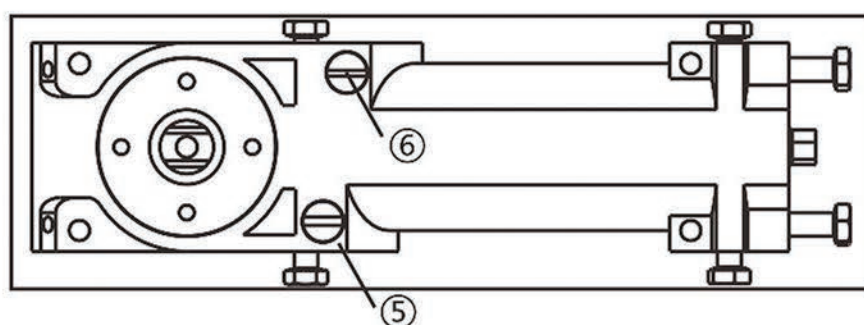
The valve ⑥ controls the closing speed between 90 deg to 15 deg.

The valve ⑤ controls the closing speed between 15 deg and 0 deg (closed position).

Closing speeds increase when you loose the valves.

Closing speeds reduces when you tight the valves.

We suggest to adjust the closing speeds between 90 deg and 0 deg (closed position) in order to achieve a closing time of 5 to 6 seconds.



- Closing Force:

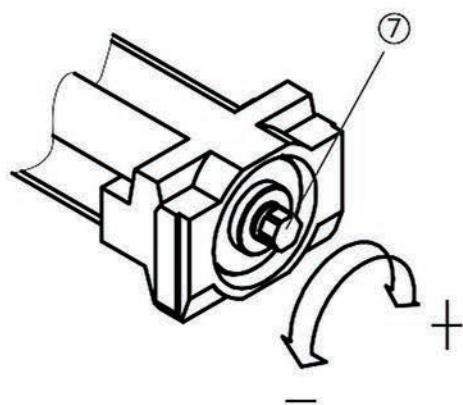
CRL's floor closer series EUCRL8460V offers the possibility to adjust the spring power of the closer (EN1 to EN4)

The closers are pre-set at the force EN1.

According to the weight and width of the door, adjust the correct closing power of the closer using the screw ⑦.

Turn Clockwise to increase the closing power.

Turn Un-Clockwise to decrease the closing power.



DOOR WIDTH				FULL TURNS OF SPRING ADJUSTING NUT
EXTERIOR		INTERIOR		
INCHES	(MM)	INCHES	(MM)	
-	-	-	-	0
-	-	2'-6"	762	3
2'-6"	762	3'-0"	914	6
3'-0"	914	3'-6"	1067	10

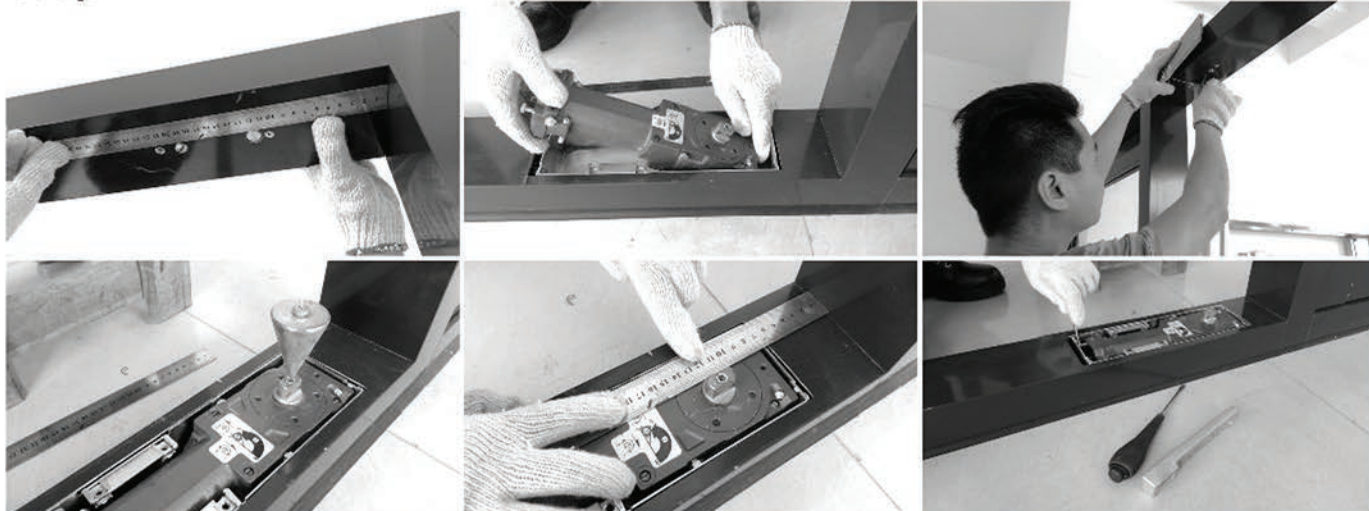
- Important Note:

1 - Maximum 10 turns from minimum setting.

2 - 0 turn from factory setting.

ITEMS	HOLD OPEN	
EUCRL8460V EUCRL8466V EUCRL8462V	90HO 105HO NO HO	INSTALLATION PROCESS

Step 1:



Measure the center axis of the top pivot.
 Locate the central aligned point on the ground.
 Install the floor closer case into the ground.
 Fit the closer body into the closer case.
 Verify the axis between the top pivot and the closer spindle using proper tools (here line cone on the picture).
 Adjust this axis using the adjustment screws ① & ③ & ④ .
 Once you have found the correct position of the closer body into the case, make sure the adjustment screws ① & ③ & ④ are properly tight.

Step 2:



Fit the door on the floor closer and action the top pivot to lock your upper arm (or patch fitting).

Important:

We show here the usual process used on the filed:
 - Using a tool to open the closer spindle to the hold open angle.

- Fit the door on the closer at the hold open position.
 Note that it is **very important** to identify the **opening direction** of the closer while you open it to reach the hold open angle (right or left).

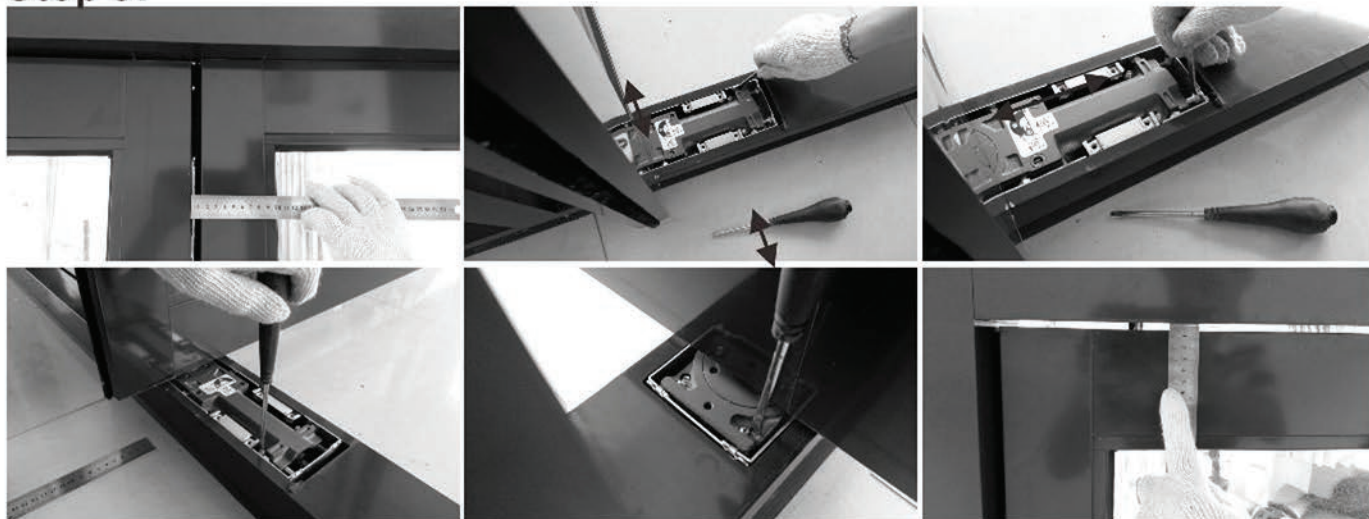
The door must be fitted on the floor closer at the same direction.

In case the door is fitted on the door closer at the wrong opening direction, closing the door from the hold open angle might **create breakage of the closer.**



ITEMS	HOLD OPEN	INSTALLATION PROCESS
EUCRL8460V	90HO	
EUCRL8466V EUCRL8462V	105HO NO HO	

Step 3:



Check the level of the door.

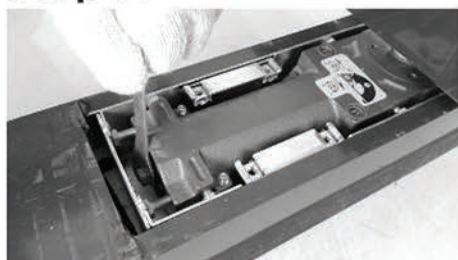
Adjust the right position of the door using the adjustment screws ① & ② & ③ & ④.

Step 4:



Adjust the proper closing speed of the door using the valves ⑥ & ⑤.

Step 5:



Depending on the application, adjust the closing power of the closer using the screw ⑦.

Step 6:



Remove the protection from the floor closer cover plate and install it on the closer using the 4pcs screws supplied.