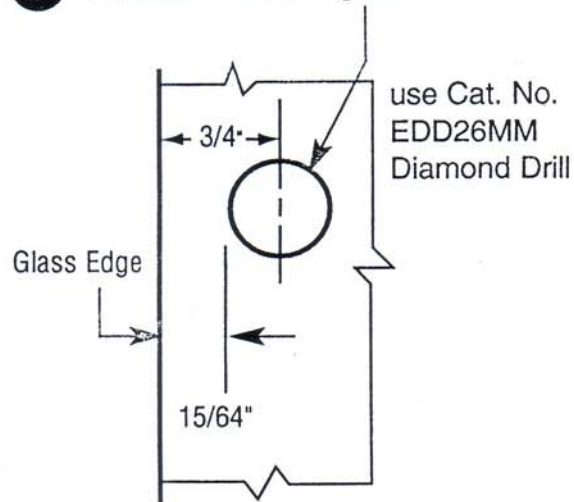
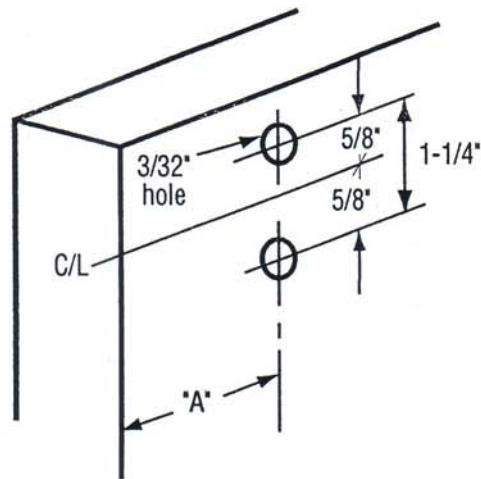


1 Drill 26mm hole in glass



2 Drill cabinet for EH122 Mounting Plate



"A" INSET

Overlay Hinge = 1-29/64"
Inset Hinge = 1-29/64" Plus
Glass Thickness



Phone (800) 421-6144 • Fax (800) 587-7501

E-Mail techsales@crlaurence.com